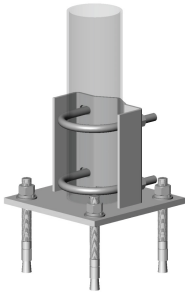


WB-BS



Base Shoe for 3-1/2 in OD pipe, hardware included

Product Classification

Product Type Shoe

General Specifications

Application Base shoe

Mounting Pipe, 88.9 mm (3-1/2 in) OD

Dimensions

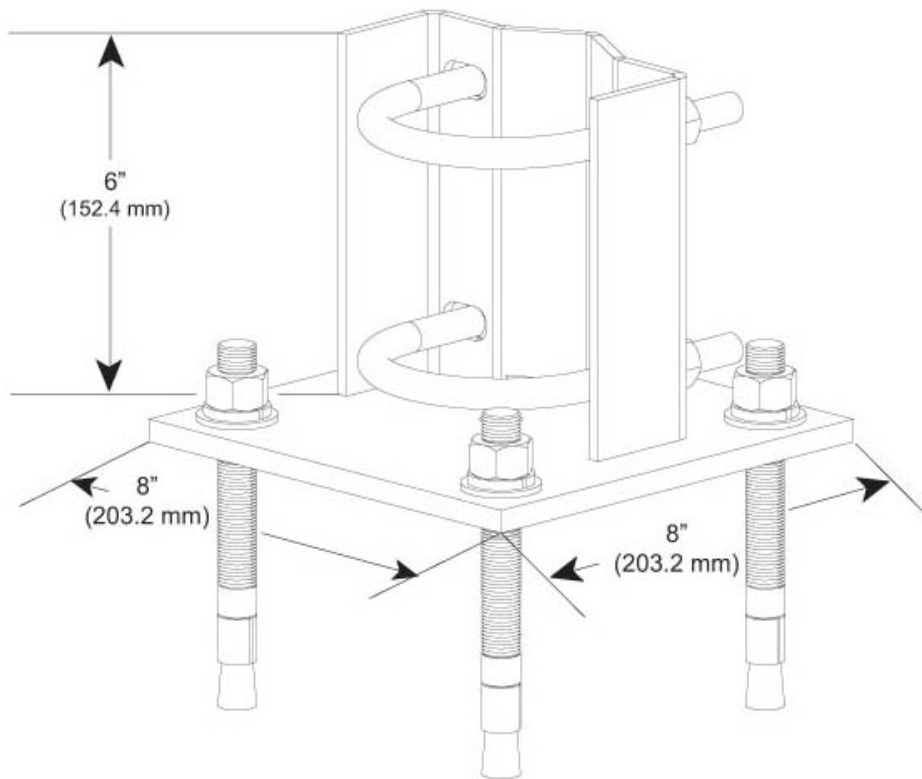
Height 152.4 mm | 6 in

Width 203.2 mm | 8 in

Length 203.2 mm | 8 in

WB-BS

Outline Drawing



Material Specifications

Material Type Hot dip galvanized steel

Packaging and Weights

Included Hardware | Mount

Packaging quantity 1

Weight, net 8.7 kg | 19.18 lb

Regulatory Compliance/Certifications

Agency	Classification
CHINA-ROHS	Above maximum concentration value
ISO 9001:2015	Designed, manufactured and/or distributed under this quality management system
ROHS	Compliant/Exempted
UK-ROHS	Compliant

WB-BS



Included Products

MT-280 – Wedge Anchor, 5/8 in x 6 in