

# WB-K210-B21

---

Safety Grated Waveguide Bridge Kit, 24 in x 10 ft, with two 21 ft direct burial posts

## Product Classification

**Product Type** Waveguide bridge kit

## General Specifications

**Application** Direct burial

**Cable Runs, quantity** 24

**Pipe, quantity** 2

## Dimensions

**Height** 6,400.8 mm | 252 in

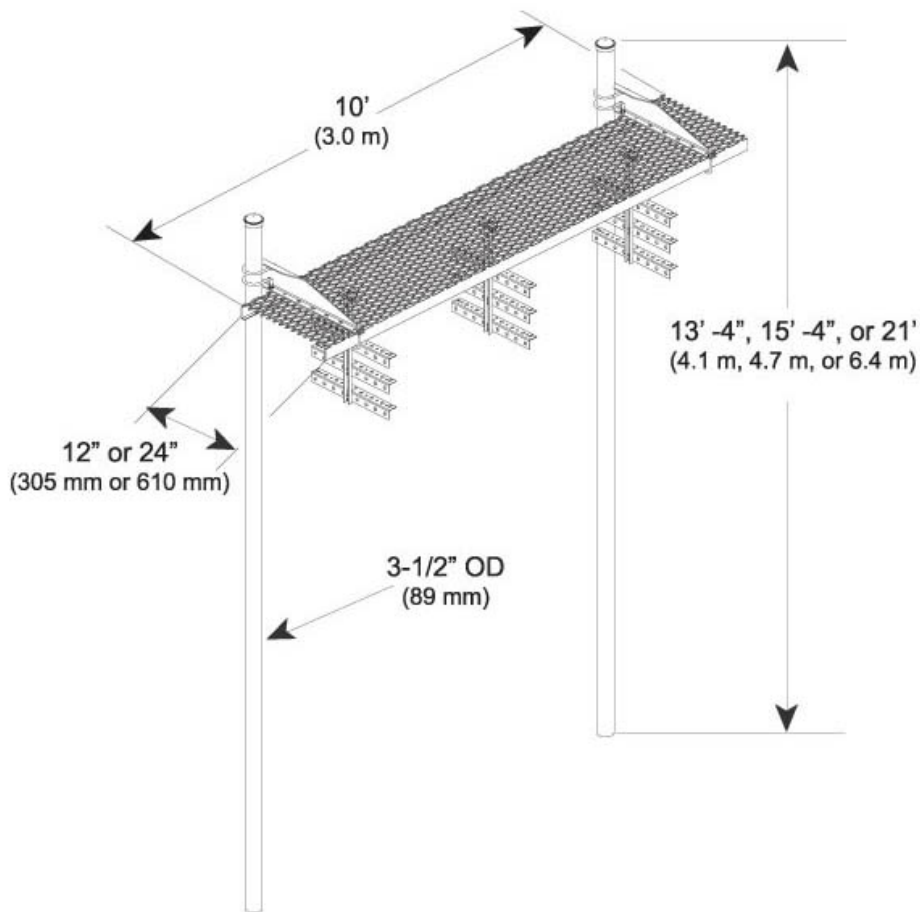
**Width** 609.6 mm | 24 in

**Length** 3048 mm | 120 in

**Pipe Length** 6,400.8 mm | 252 in

# WB-K210-B21

## Outline Drawing



## Material Specifications

**Material Type** Hot dip galvanized steel

## Packaging and Weights

**Included** Caps | Channel | Hardware | Posts | Support brackets | Trapeze

**Packaging quantity** 1

**Weight, net** 174.6 kg | 384.927 lb

## Regulatory Compliance/Certifications

**Agency** **Classification**

# WB-K210-B21

---

CHINA-ROHS	Above maximum concentration value
ISO 9001:2015	Designed, manufactured and/or distributed under this quality management system
ROHS	Compliant/Exempted
UK-ROHS	Compliant



## Included Products

- MT-547 – Plain End Pipe, 3-1/2 in OD x 21 ft x .165" A500C 46Ksi
- WB-CY210 – Safety Grated Waveguide Bridge Channel, 24 in x 10 ft
- WB-LB24-3 – Waveguide Bridge Support Bracket, 24 in wide for 3-1/2 in OD legs
- WB-T24-3 – Trapeze Kit, triple tee, 24 in wide, three rungs