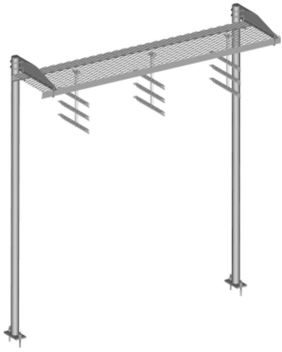


# WB-K210-S

---



Safety Grated Waveguide Bridge Kit, 24 in x 10 ft, with two 10 ft 6 in base shoe posts

## Product Classification

**Product Type** Waveguide bridge kit

## General Specifications

**Application** Base shoe

**Cable Runs, quantity** 24

**Pipe, quantity** 2

## Dimensions

**Height** 3,200.4 mm | 126 in

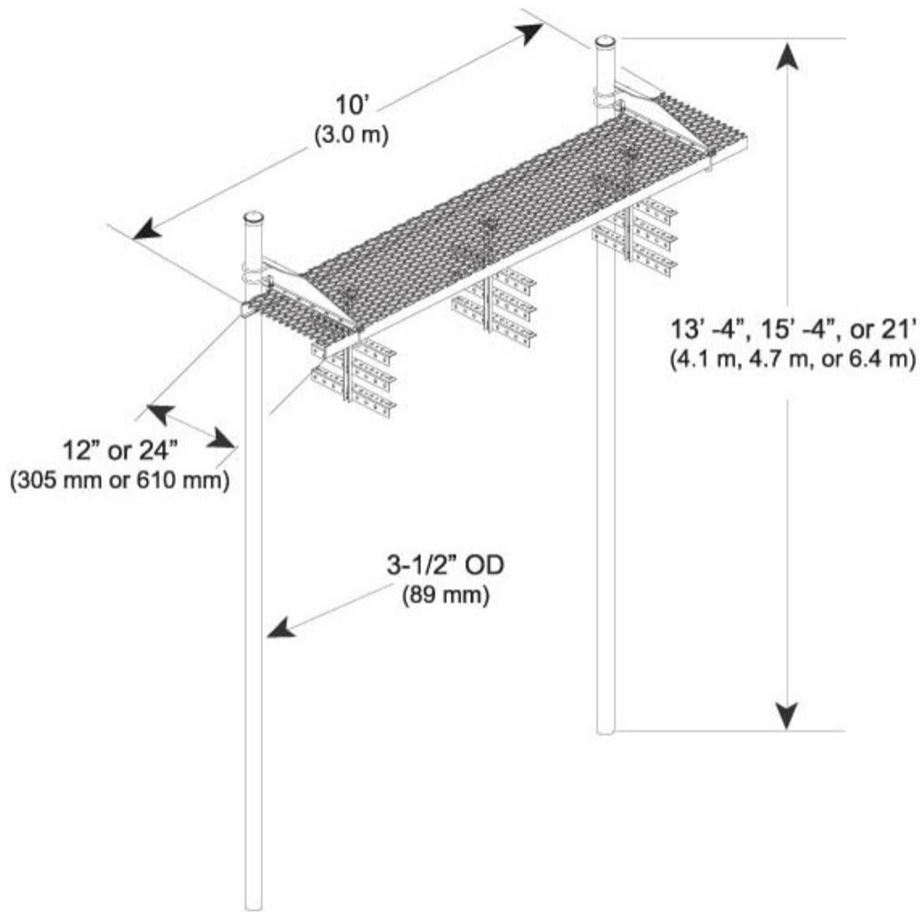
**Width** 609.6 mm | 24 in

**Length** 3048 mm | 120 in

**Pipe Length** 3,200.4 mm | 126 in

# WB-K210-S

## Outline Drawing



## Material Specifications

**Material Type** Hot dip galvanized steel

## Packaging and Weights

**Included** Caps | Channel | Hardware | Posts | Support brackets | Trapeze

**Packaging quantity** 1

**Weight, net** 166.5 kg | 367.069 lb

## Regulatory Compliance/Certifications

**Agency** **Classification**

# WB-K210-S

---

CHINA-ROHS	Above maximum concentration value
ISO 9001:2015	Designed, manufactured and/or distributed under this quality management system
ROHS	Compliant/Exempted
UK-ROHS	Compliant/Exempted



## Included Products

- MF-126 – Base Shoe Pipe Column, 10 ft 6 in
- WB-CY210 – Safety Grated Waveguide Bridge Channel, 24 in x 10 ft
- WB-LB24-3 – Waveguide Bridge Support Bracket, 24 in wide for 3-1/2 in OD legs
- WB-T24-3 – Trapeze Kit, triple tee, 24 in wide, three rungs