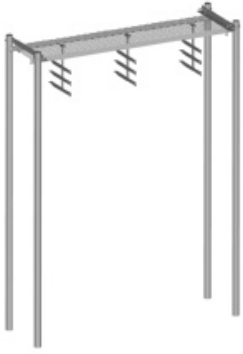


WB-K410-B15



Safety Grated Waveguide Bridge Kit, 24 in x 10 ft, with four 15 ft 4 in direct burial posts

Product Classification

Product Type Waveguide bridge kit

General Specifications

Application Direct burial

Cable Runs, quantity 24

Pipe, quantity 4

Dimensions

Height 4572 mm | 180 in

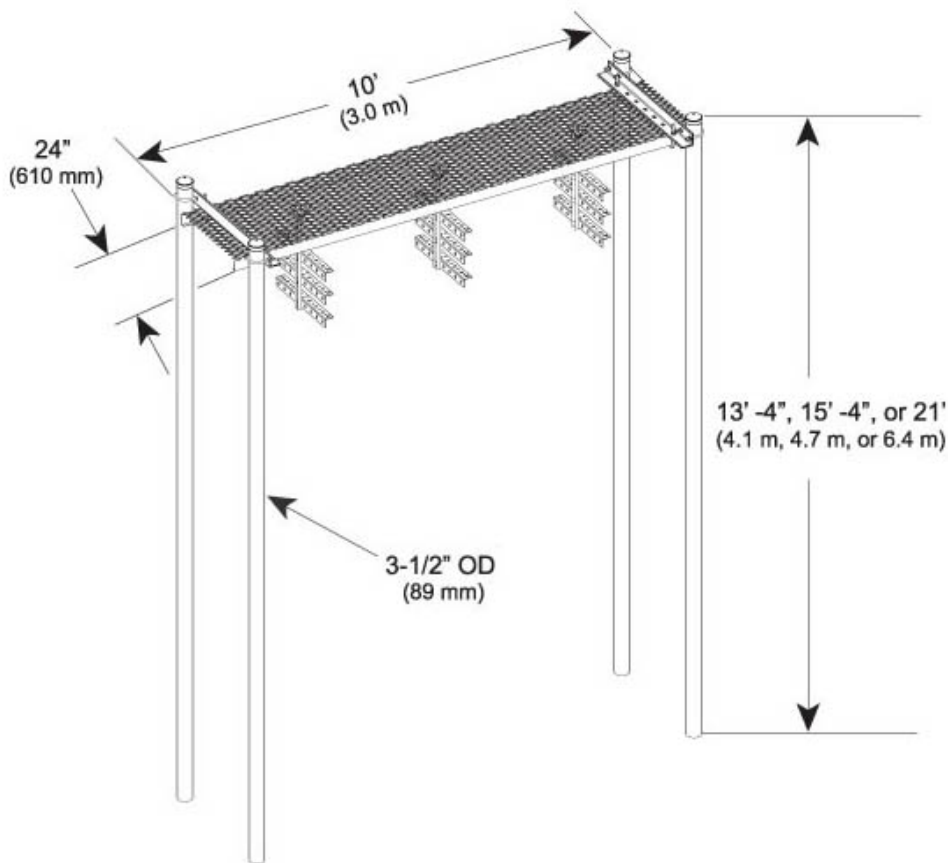
Width 609.6 mm | 24 in

Length 3048 mm | 120 in

Pipe Length 4,663.44 mm | 183.6 in

WB-K410-B15

Outline Drawing



Material Specifications

Material Type Hot dip galvanized steel

Packaging and Weights

Included Caps | Channel | Hardware | Posts | Support brackets | Trapeze

Packaging quantity 1

Weight, net 270.4 kg | 596.129 lb

Regulatory Compliance/Certifications

Agency

CHINA-ROHS

ISO 9001:2015

Classification

Above maximum concentration value

Designed, manufactured and/or distributed under this quality management system

WB-K410-B15

ROHS Compliant/Exempted
UK-ROHS Compliant



Included Products

- MF-273 – Direct Burial Pipe Column, 15 ft 4 in
- WB-CS24-3 – Safety Grated Channel Support, 24 in wide for 3-1/2 in OD pipe
- WB-CY210 – Safety Grated Waveguide Bridge Channel, 24 in x 10 ft
- WB-T24-3 – Trapeze Kit, triple tee, 24 in wide, three rungs