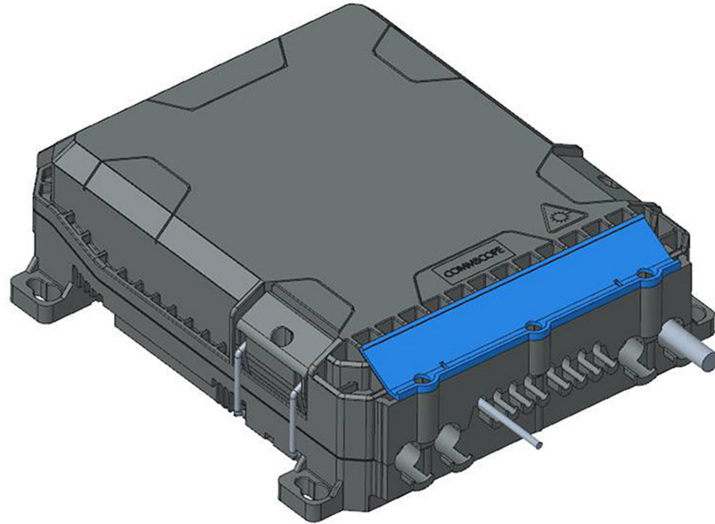


FDC-W8-FAT-AE

Fiber access terminal for aerial applications

FEATURES AND BENEFITS

- Rubber-sealing, easy to open and re-enter, no tool or re-entry kit required
- IP 65
- Compact design
- Butt configuration
- 4 main cable ports (6-14 mm)
- 8 drop cable ports (3 or 5 mm) (2x3 mm flat)
- Integrated external cable retention device
- Loop storage capacity: 6 m



Designed for FTTx networks, the FDC- W8-FAT-AE closure is a butt-style rubber sealed* fiber optic closure, with both splicing and patching capabilities. The closure can be deployed in all types of aerial applications.

The closure can accommodate up to 72 fusion splices (in the splice-only version) and up to 8 SC adapters. It also can house splitters and TAPs, either spliced or pre-connectorized.

Built-in rubber technology ensures the closure to meet all sealing requirements for the IP 65 rating and allows easy re-entry capability.

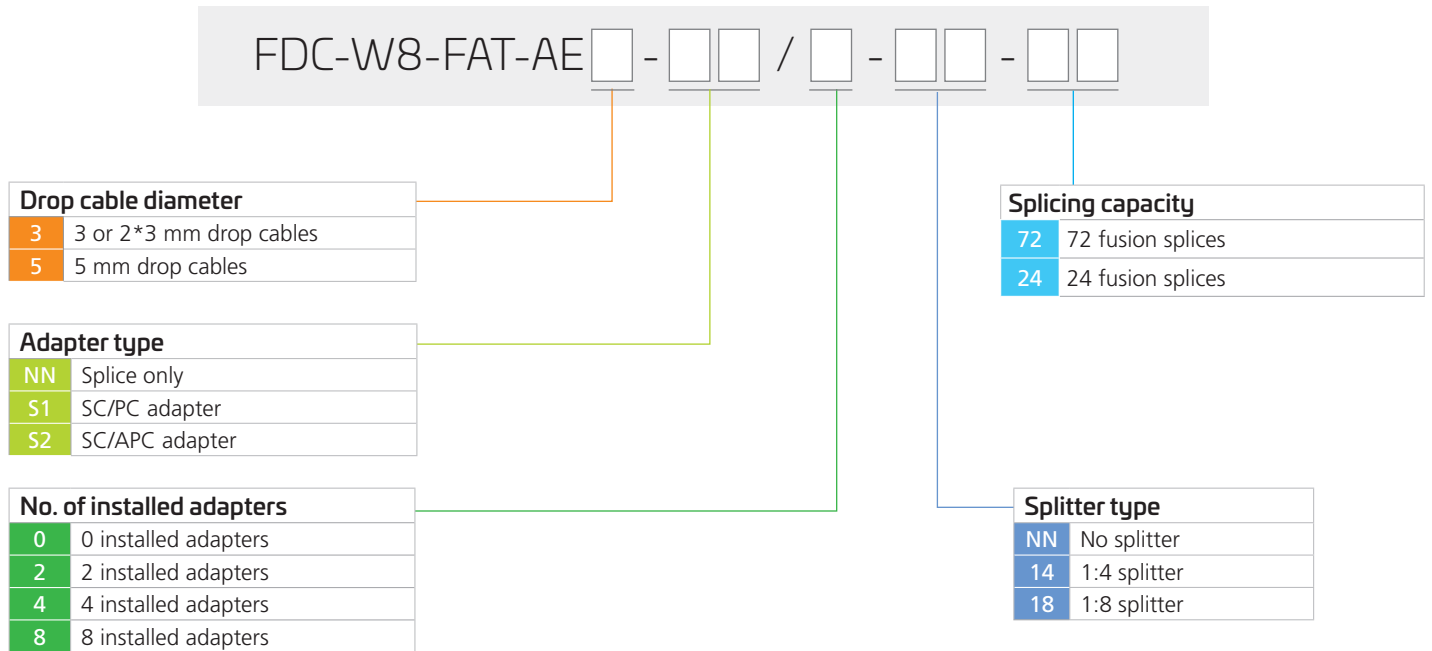
*Rubber seal size determined by drop cable diameter

Dimensions and capacity

Dimensions	
Length x Width X Height	285 x 237 x 76.5 mm

Cable ports		
	No. of cable ports	Cable O.D. range
Main cable port	4	6-14 mm
Drop cable port*	8	3 or 5 mm 2*3 mm flat
Capacity		
Splicing capacity	72 fusion splices	
Patching capacity	8 SC adapters	

Ordering information



commscope.com

Visit our website or contact your local CommScope representative for more information.

© 2021 CommScope, Inc. All rights reserved.

Unless otherwise noted, all trademarks identified by ® or ™ are registered trademarks, respectively, of CommScope, Inc. This document is for planning purposes only and is not intended to modify or supplement any specifications or warranties relating to CommScope products or services. CommScope is committed to the highest standards of business integrity and environmental sustainability with a number of CommScope's facilities across the globe certified in accordance with international standards, including ISO 9001, TL 9000, and ISO 14001.

Further information regarding CommScope's commitment can be found at www.commscope.com/About-Us/Corporate-Responsibility-and-Sustainability.

PA-116226-EN (11-21)