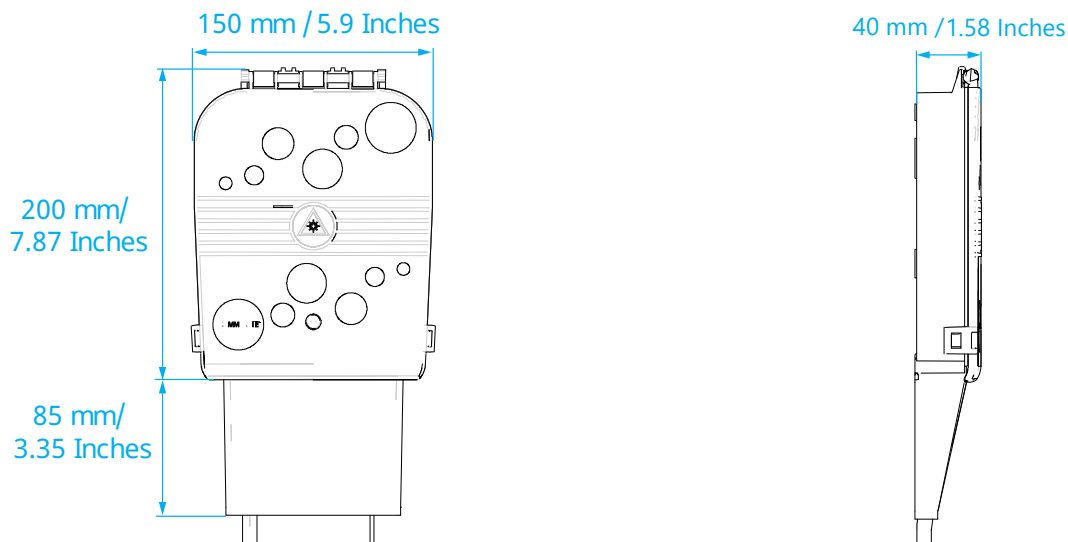


WMFE2

General product information

- The inner spool can hold a maximum of **50 m of a cable of 1.1mm diameter / 164 feet of a cable of 0.043 Inches diameter**
- The organizer can hold up to **4 splices (length splice protector 45 mm / 1.77 Inches)**
- Also **a splitter** can be installed onto the organizer (**1x2 or 1x4 (with preconnectorized output only)**)
- The drop cables can be routed **through the wall or through one of the bottom ports**
- The organizer can hold **2 simplex adapters SC** (2 connections) or **2 duplex adapters LC** (4 connections) for the connections of feeder to drop cable.
- The organizer can hold **one gas block** for the entrance of the feeder cable.

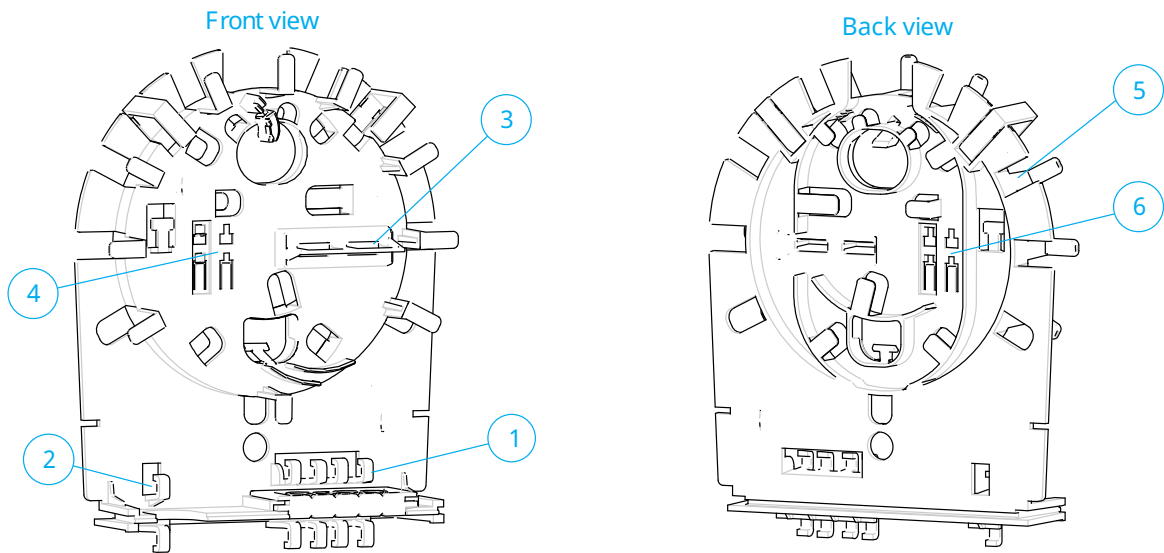
Dimensions



Cable diameter range

Position	Cable diameter (mm / Inches)
Feeder cable	up to 10 mm / 0.39 Inches
Drop cable	up to 7 mm / 0.27 Inches

Overview organizer



- 1 Drop cable fixation
- 2 Feeder cable fixation
- 3 Adapter holders
- 4 Splitter holder position
- 5 Internal spool
- 6 Splice holder position

Contents

1 Abbreviations.....	4	7.1 Prepare grommet feeder.....	7
2 Tools.....	4	7.2 Air blown fiber (ABF) installation.....	7
3 Warnings and Cautions.....	4	7.3 Feeder cable installation.....	11
4 Kit Contents.....	4	7.4 Re-install organizer.....	14
5 Mount the termination unit.....	5	8 Drop cable installation.....	15
6 Prepare organizer.....	5	8.1 Routing of a drop cable coming through the wall.....	15
6.1 Insert adapters.....	5	8.2 Routing of a drop cable coming from the bottom using the grommet.....	16
6.2 Insert the splice protector holder.....	6	9 Install the cable cover and close the termination unit.....	16
6.3 Re-install the organizer.....	6	10 Trade-marks.....	18
7 Feeder cable installation.....	7	11 Contact information.....	18

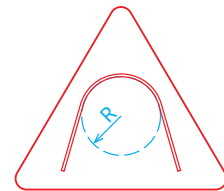
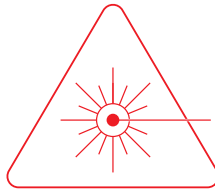
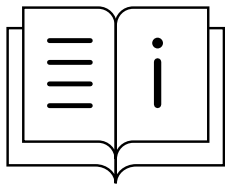
1 Abbreviations

- ABF: Air Blown Fiber
- WMFE2: Wall Mountable Fiber Enclosure 2

2 Tools

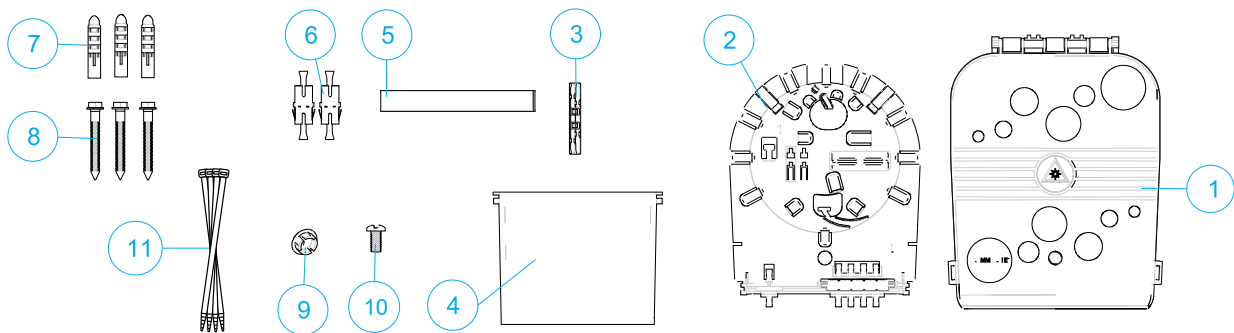
- Drilling machine
- Phillips screwdriver
- Stripping tools
- Tube cutter
- Scissors
- Cutter knife

3 Warnings and Cautions



- Follow the installation instruction steps to ensure the performance of the closure. It is necessary to take precautions and keep the working space clean to protect the closure sealing materials and splices.
- Exposure to laser radiation can seriously damage the retina of the eye. Do not look into the ends of any optical fiber. Do not assume the laser power is turned off or that the fiber is disconnected at the other end. Looking into the ends of any optical fiber is entirely at your own risk. A protective cap or hood **MUST** be immediately placed over any radiating adapter or optical fiber connector to avoid the potential of dangerous amounts of radiation exposure. This practice also prevents dirt particles from entering the connector and adapter.
- Fiber optic cables may be damaged if bent or curved to a radius that is less than the recommended minimum bend radius. Always observe the recommended bend radius limit when installing fiber optic cables, subunits and patch cords.

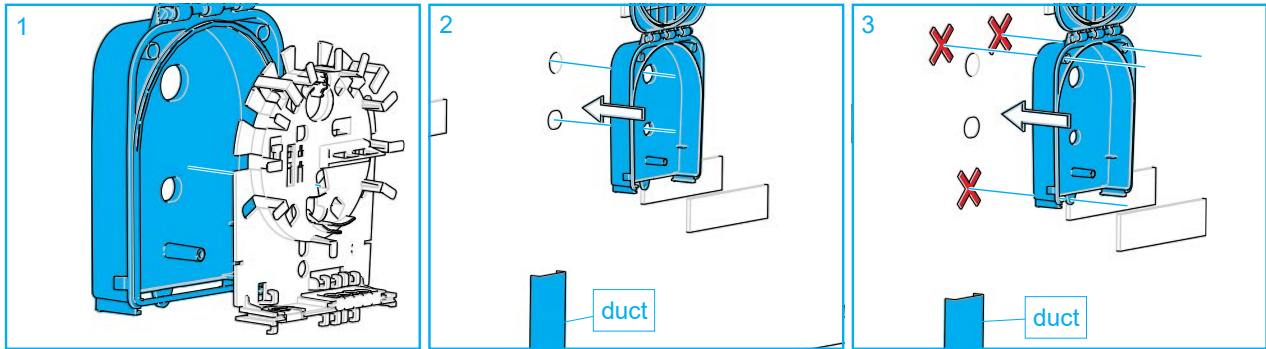
4 Kit Contents




N°	Description	Qty
1	WMFE2 housing	1
2	Organizer	1
3	Splice holder	1
4	Cable cover (depending configuration)	1
5	Foam strip	1

N°	Description	Qty
6	Adapters (simplex SC or duplex LC, depending configuration)	2
7	Mounting plugs	3
8	Mounting screws	3
9	Protection cap screw	1
10	Screw to close the closure	1
11	Bundle of cable ties	1

5 Mount the termination unit

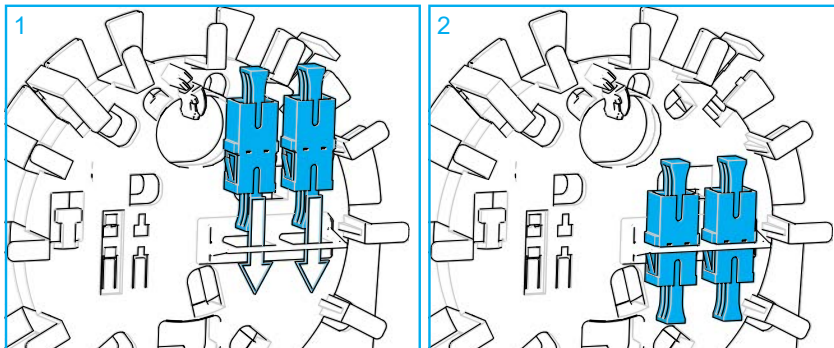


- 1 Remove the organizer from the housing.
- 2 Position the housing on the wall considering:
 - a The hole(s) in the wall for the drop cable.
 - b The position of the duct.
- 3 Mark the 3 mounting positions on the wall and drill the holes.

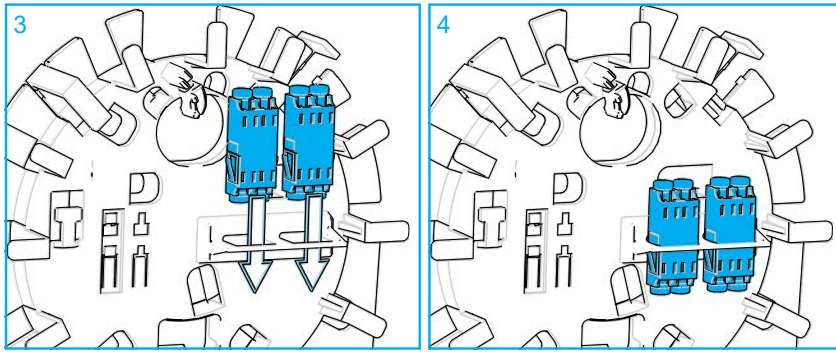
 **Note:** If the cables come through the wall, knock out the holes in the base of the housing.

6 Prepare organizer

6.1 Insert adapters

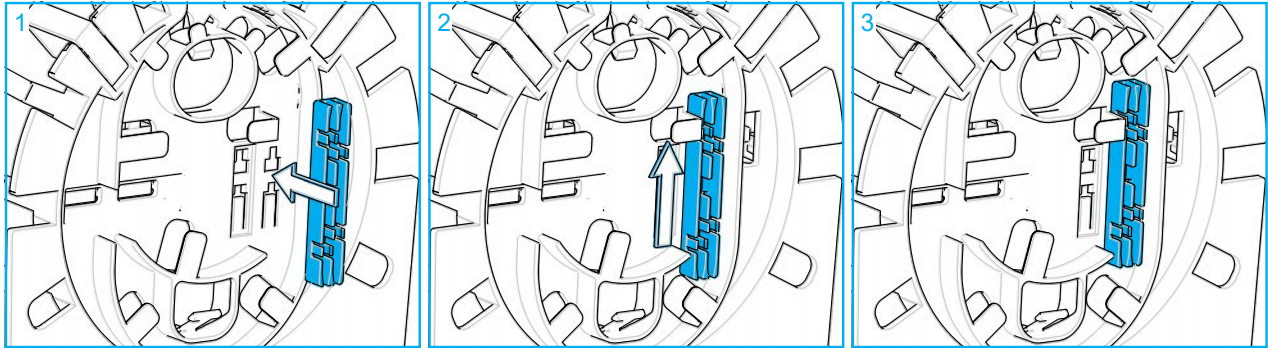


- 1 Insert the SC adapters in the adapter holders at the front side if applicable.



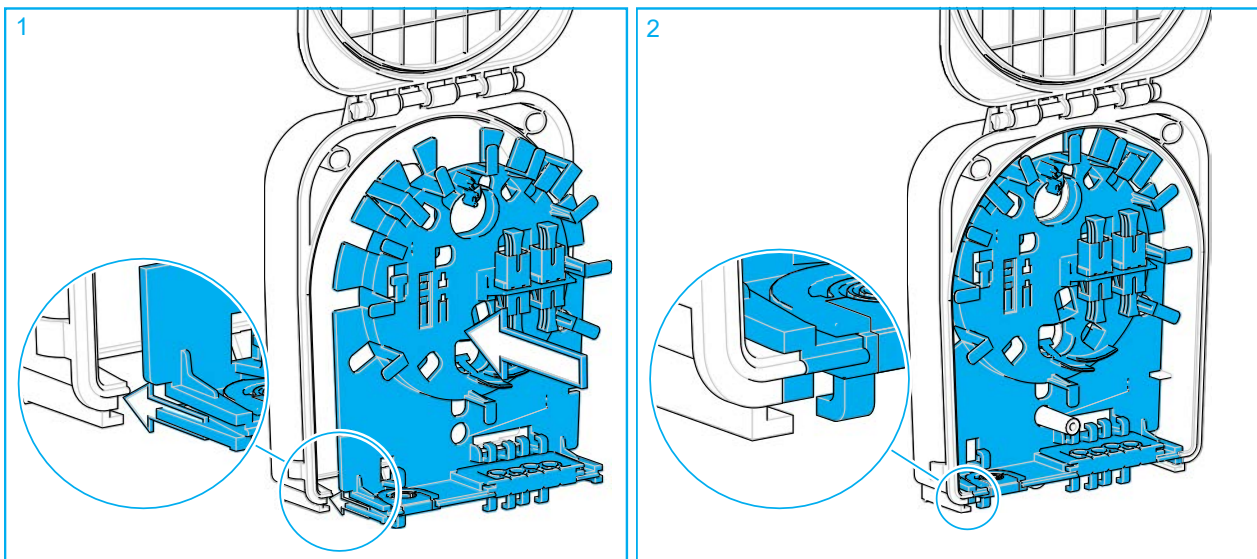
- 2 Insert the LC adapters in the adapter holders at the front side if applicable.

6.2 Insert the splice protector holder



- 1 Turn the organizer. Insert the splice protector holder in the dove tale at the back side.
- 2 Lift the splice protector holder to lock.
- 3 Splice protector installed.

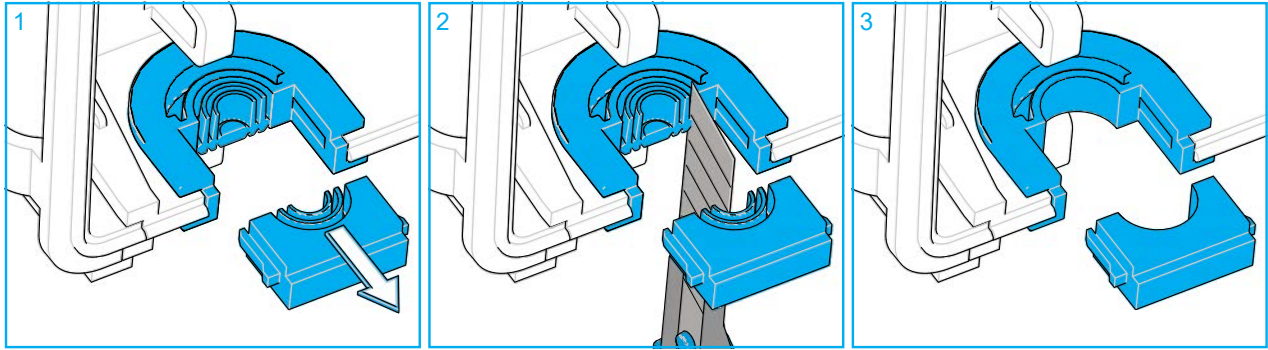
6.3 Re-install the organizer



- 1 Slide the organizer in the grooves of the housing.
- 2 Organizer is correctly positioned.

7 Feeder cable installation

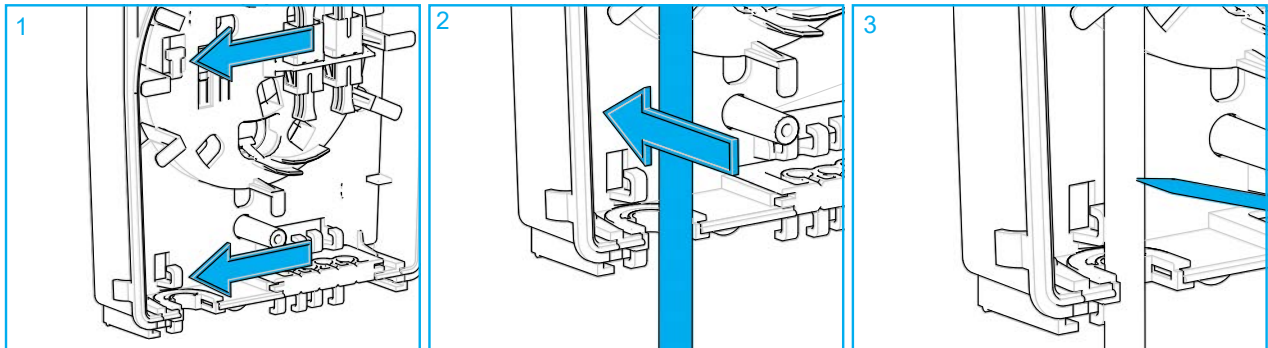
7.1 Prepare grommet feeder



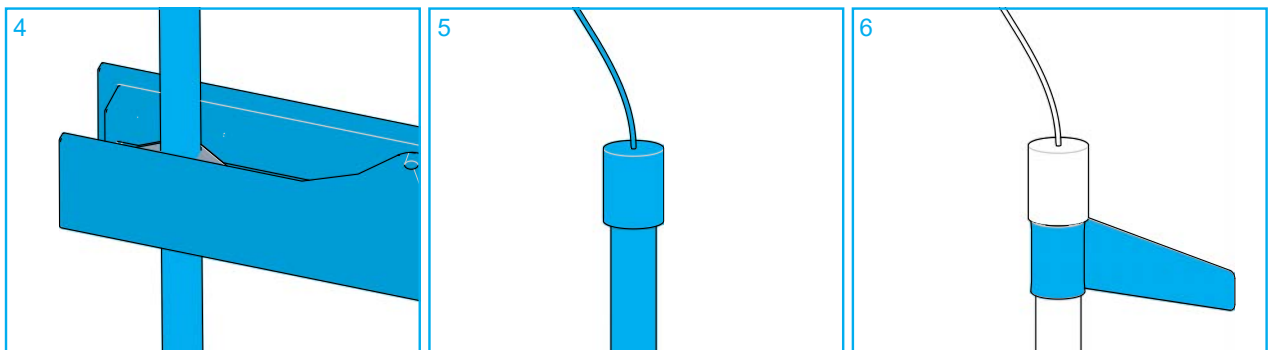
- 1 Slide out the top piece.
- 2 Cut away the appropriate material from the bottom and top piece according to the diameter of the cable.
- 3 Keep bottom piece in the housing, put the top piece aside.

7.2 Air blown fiber (ABF) installation

7.2.1 Preparation to install the ABF




- 1 There are two positions to attach the gas block to the organizer, depending the size of the gas block. The preferred position is the bottom position. The top position allows less space for over length storage
- 2 Insert the tube in the organizer.
- 3 Mark where the tube should be cut off depending of the gas block device that will be used.



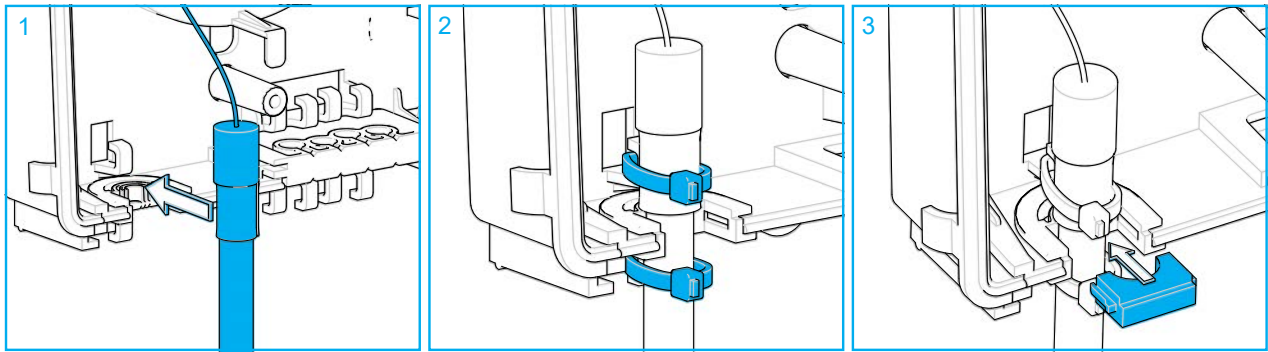
- 4 Cut the tube with appropriate tooling. Make sure not to squeeze the tube where it is cut off.
- 5 Blow the cable through the tube. Install the gas block device.

 **Note:** The gas block device is not a part of the kit.


 **Note:** A maximum of 50 m of cable with diameter 1.1mm/ 164 feet of a cable with diameter 0.043 Inches can be stored in the organizer.

- 6 Wrap a layer of foam under the gas block.

7.2.2 Install the tube for the ABF

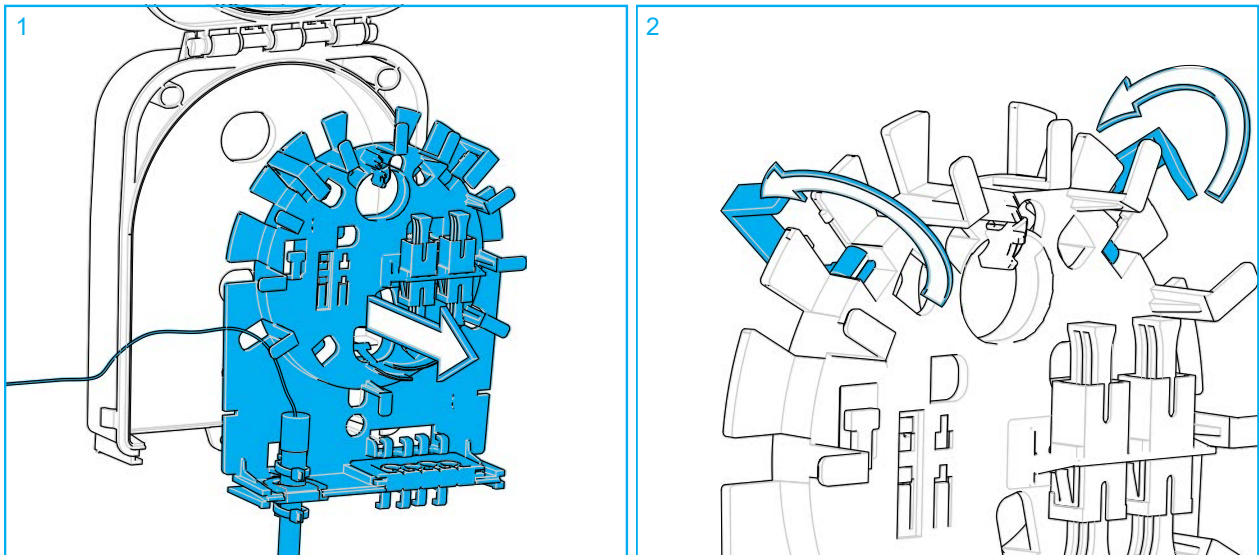


- 1 Slide the cable in the grommet.

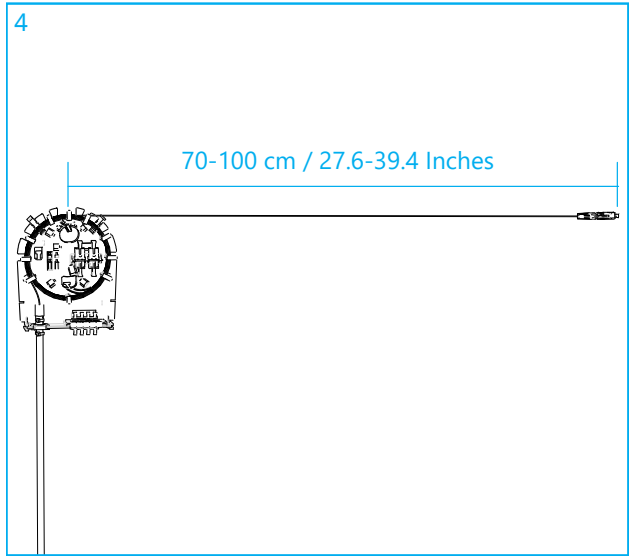
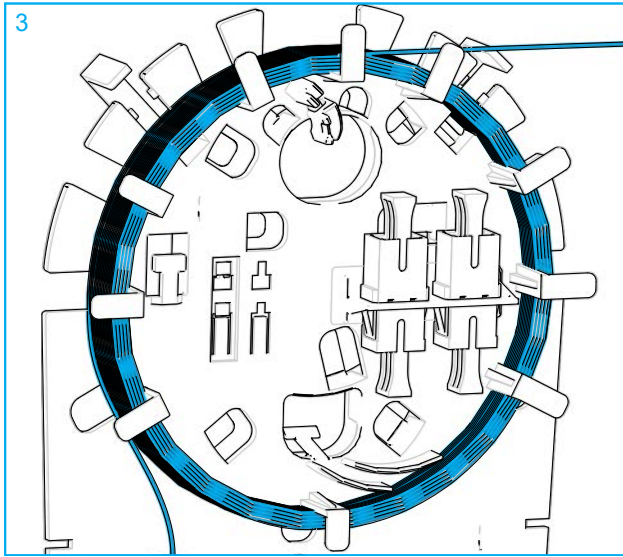
 **Note:** Avoid having the foam on the cable in the grommet area.

- 2 Secure the cable with two cable ties as shown.
- 3 Close the seal with the top piece grommet.

7.2.3 Install the connector of the ABF



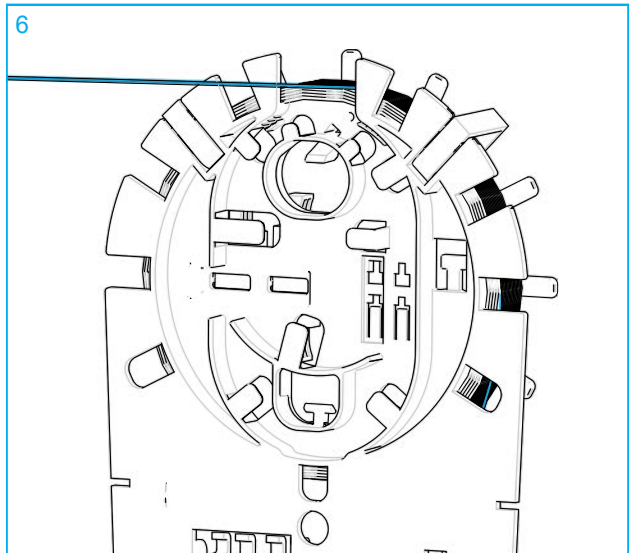
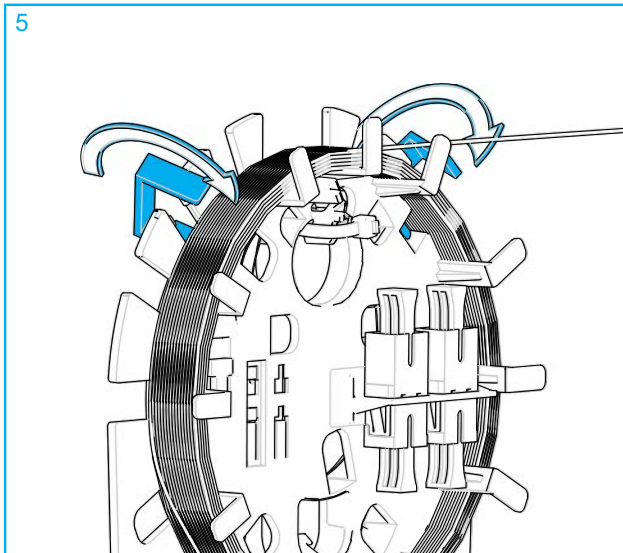
- 1 Remove the organizer from the housing.
- 2 Push the two hinged lugs backward.



3 Wind over length around the spool on the organizer.

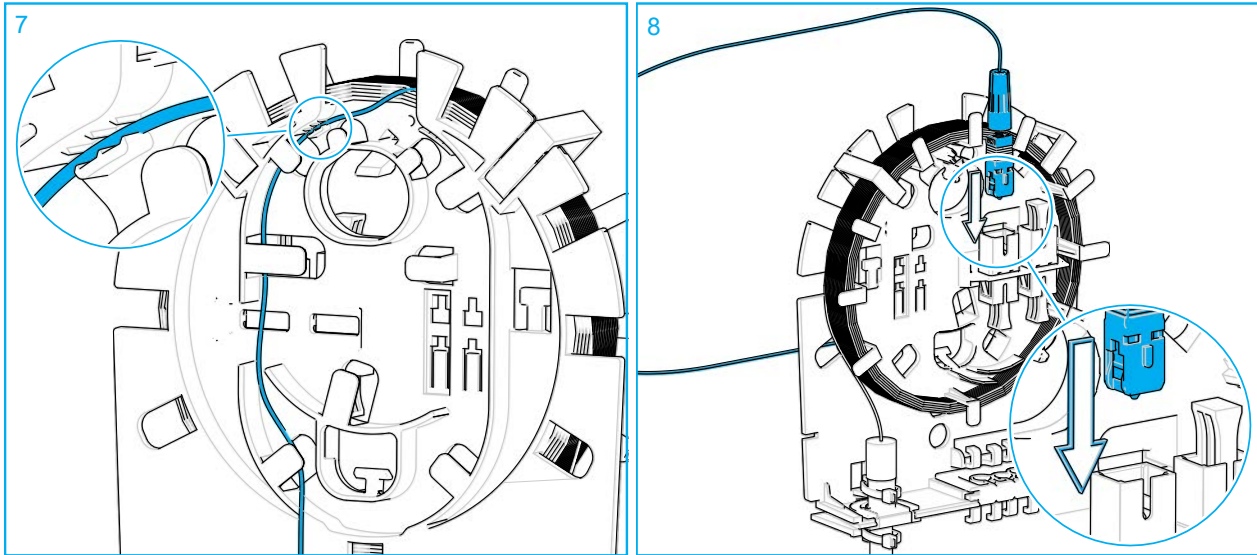
Note: The organizer can hold a maximum of 50 m / 164 feet of a cable with diameter 1,1 mm / 0.043 Inches.

4 Leaf approximate 70 – 100 cm / 27.6 - 39.4 Inches over length. Install the field installable connector.




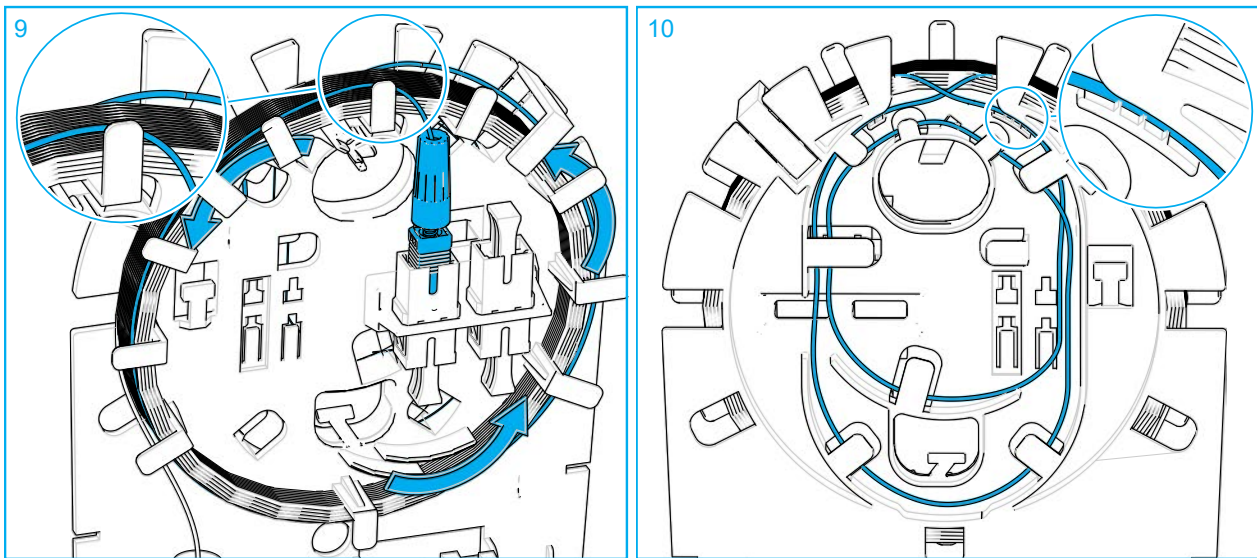
5 Hinge the lugs back in place.

6 Bring the cable to the backside of the organizer.

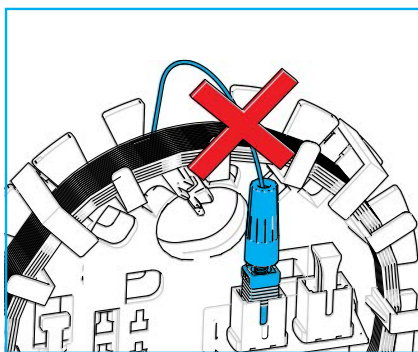



- 7 Push the cable in the retention feature and route the cable under the two lips toward the bottom.
- 8 Remove the dust caps of both adapter and field installable connector. Clean per local practice and position the connector in the correct orientation, rib facing forward, in the adapter. Connect the SC-connectorized cable to the adapter. A clicking sound is observed when the connector is properly seated.

 **Note:** Same procedure for LC connectors.



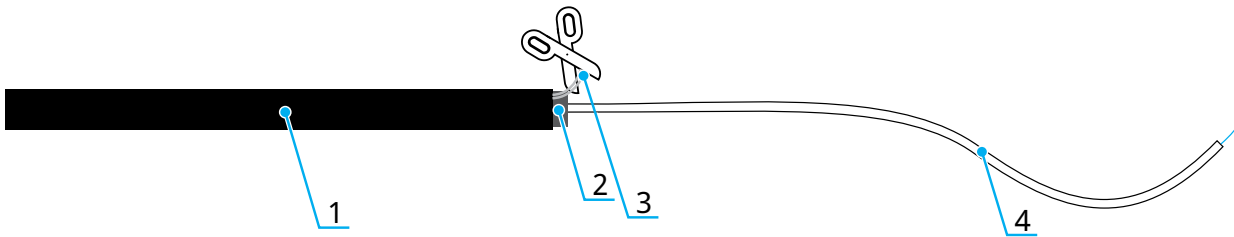
- 9 Route the remaining cable length one tour around the spool before guiding to the back side again.
- 10 Push the cable in the retention feature and store over length under the lips at the back side as shown.



 **Note:** Don't route the cable directly to the back side (without one turn around the spool). This can result in too small bend radii of the cable.

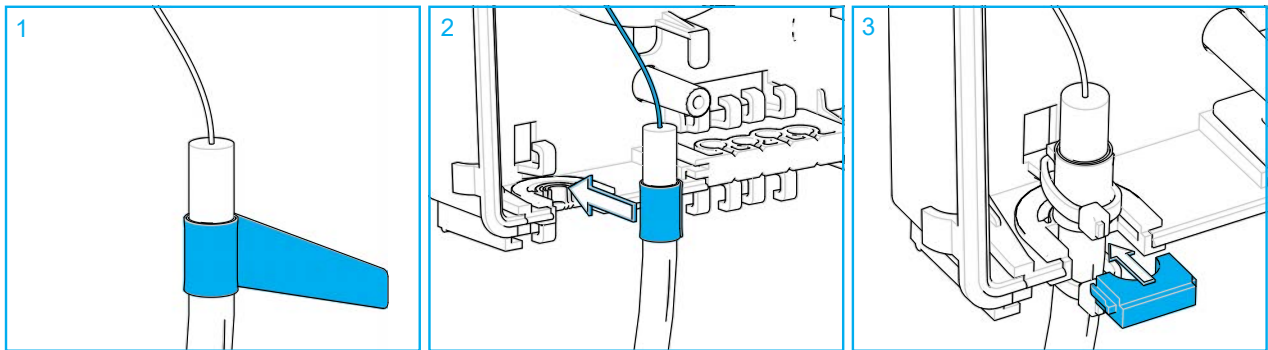
7.3 Feeder cable installation

7.3.1 Cable preparation



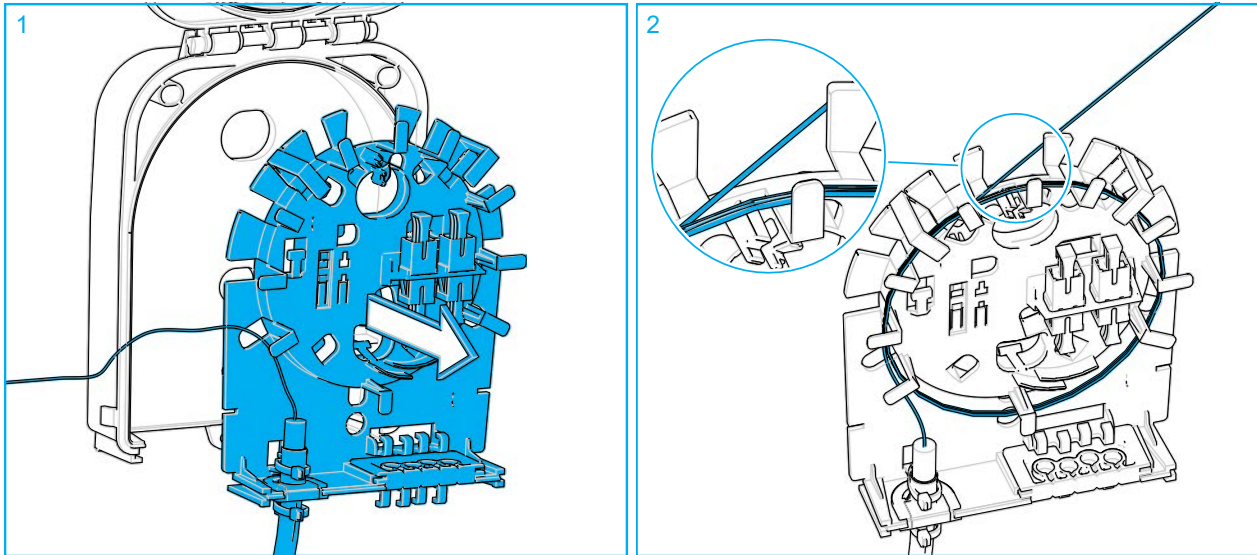
N.º	Description	Preparation
1	Jacket	Remove the jacket over a distance of 2 m / 78 Inches.
2	Dual jacket (if present)	Remove the dual jacket if present, as short as possible.
3	Aramid yarn/ Rigid strength member (if present)	Remove the aramid yarn and rigid strength member if present.
4	Subunits	Clean the subunits, remove all grease.

7.3.2 Cable installation

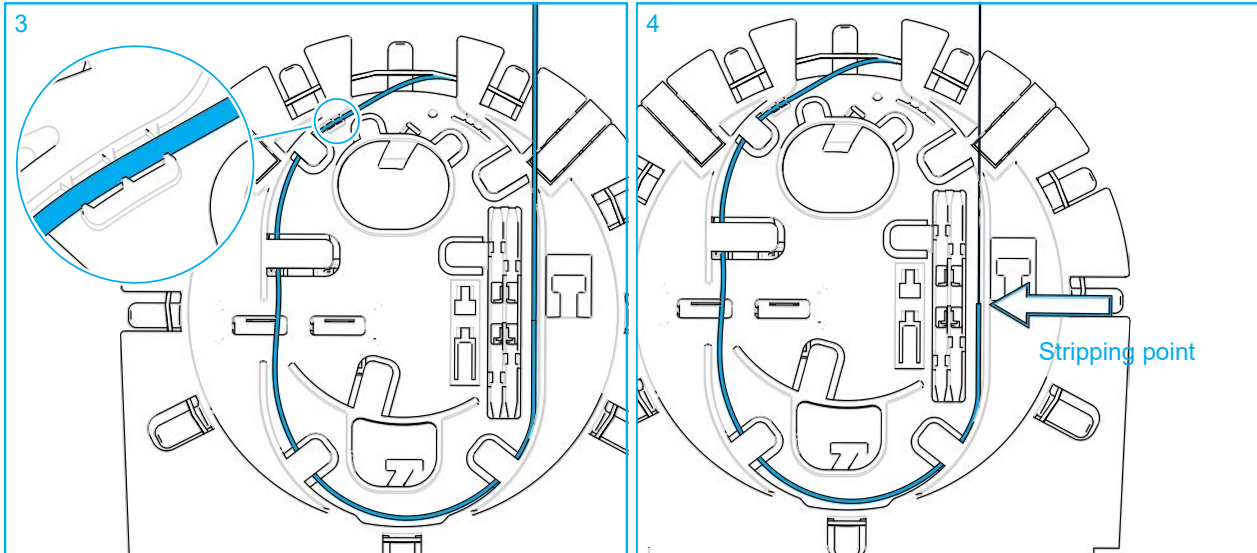


- 1 Wrap a layer of foam at **10 mm / 0.39 Inches** from the jacket end.
- 2 Insert the cable in the organizer and secure with a cable tie (at the inside and at the outside).
- 3 Close the grommet with the top piece.

7.3.3 Fiber routing

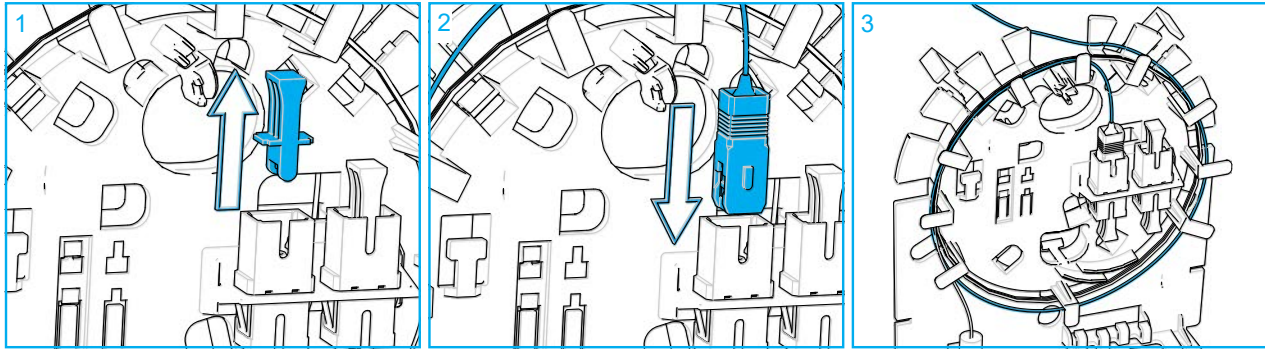


- 1 Remove organizer from the housing.
- 2 Route minimum one tour around the organizer and transit to the back side via the top side of the organizer.




- 3 Push the subunit in the retention feature and route the subunit under the lips at the back side and indicate the stripping point.
- 4 Strip the subunit per local practice.

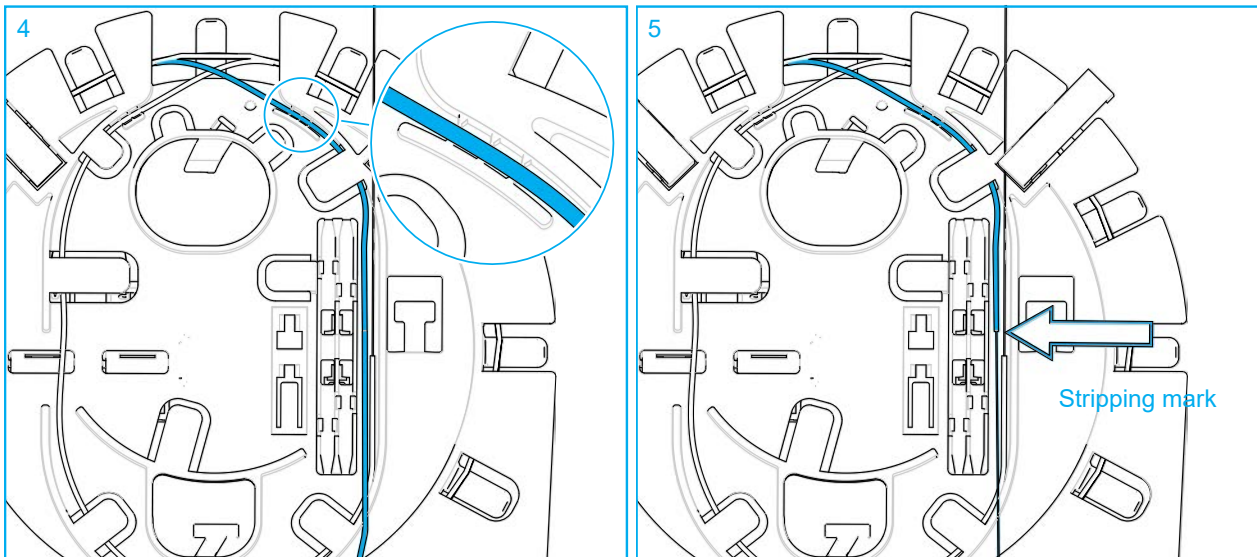
7.3.4 Install input connector



- 1 Remove dust caps of both adapter and connector and clean per local practice.
- 2 Position the connector in the correct orientation in the adapter (rib facing forward) and connect the connector to the adapter. A clicking sound is observed when the connector is properly seated.

 **Note:** Same procedure for LC connectors.

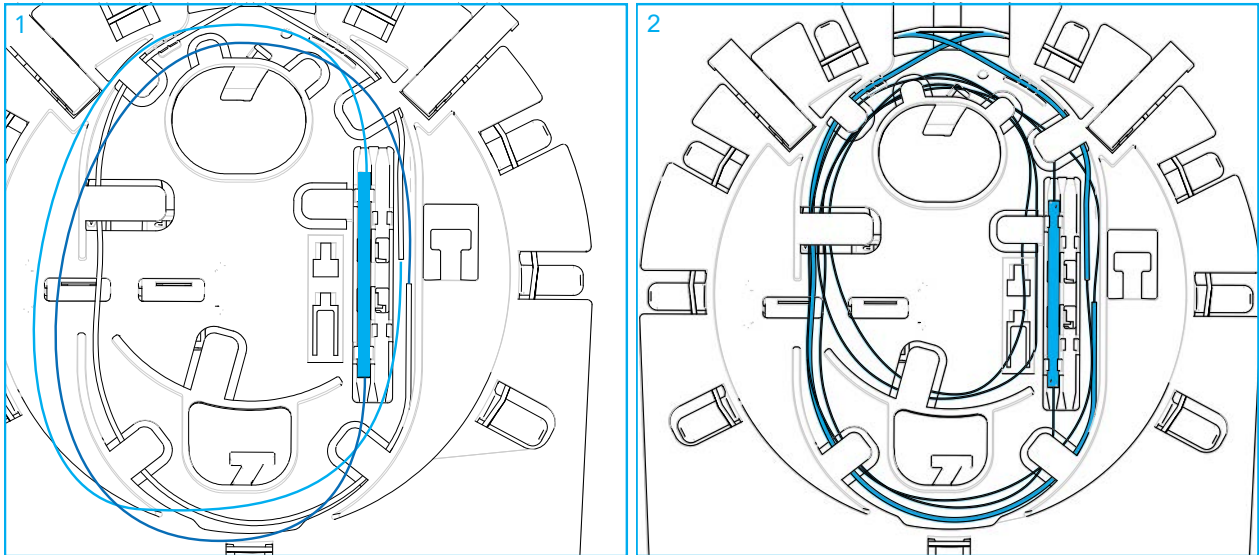
- 3 Route the pigtail one turn around the inner spool before transiting to the back side.



- 4 Push the pigtail in the retention feature and route the pigtail under the lips and mark the stripping point.
- 5 Strip the subunit per local practice.

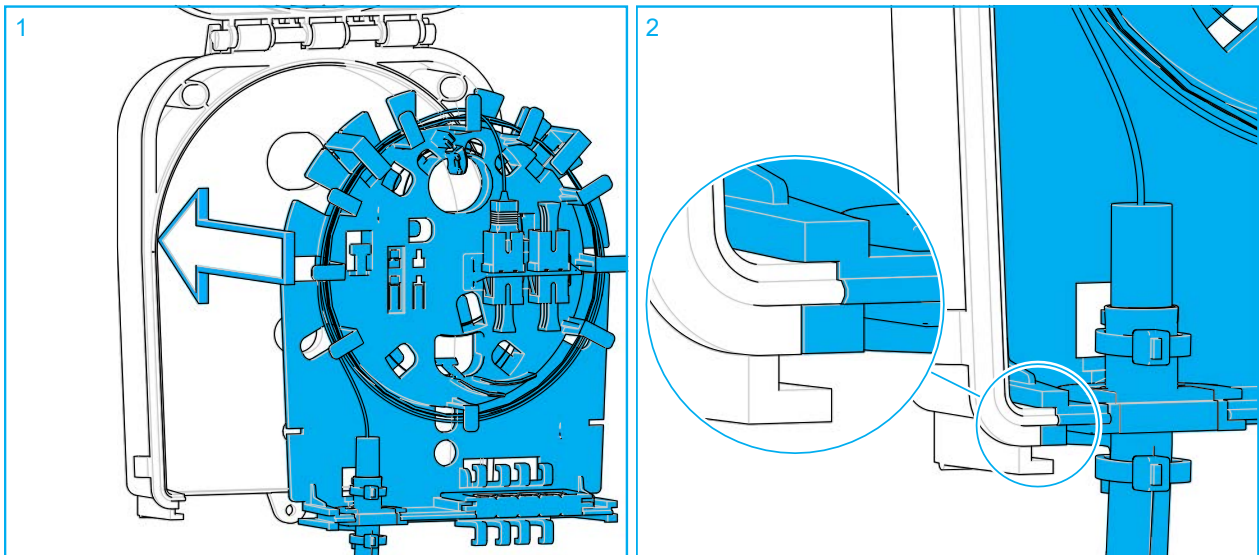
Both fibers ready to spliced.

7.3.5 Splicing of the feeder fiber



- 1 Make splice per local practice. Store splice protector in the splice protector holder.
- 2 Store over length under the lips as shown.

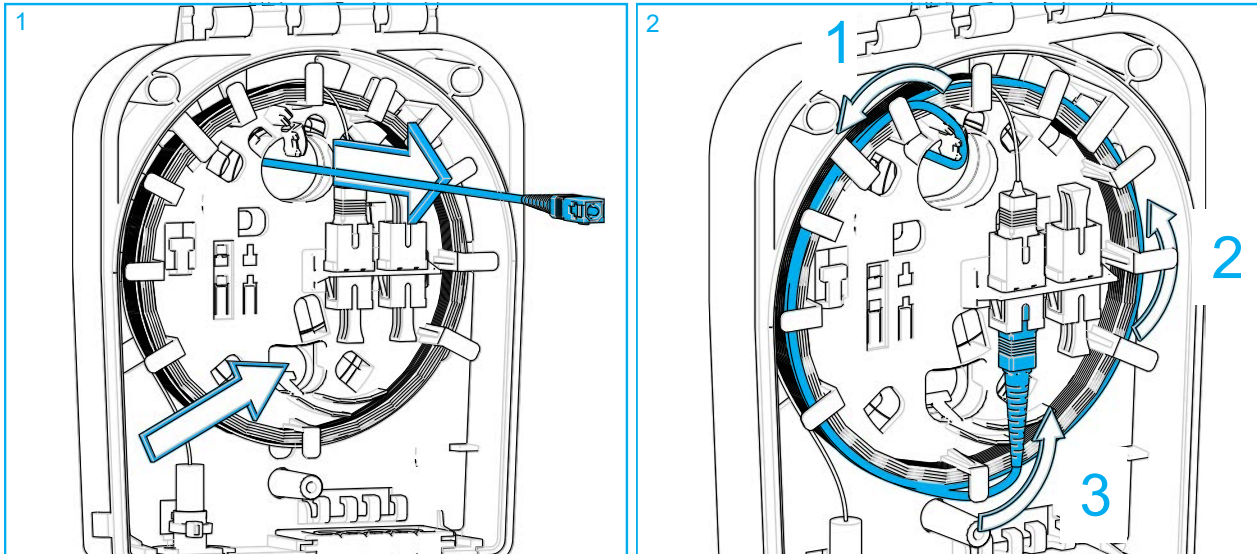
7.4 Re-install organizer




- 1 Slide the organizer in the grooves of the housing.
- 2 Organizer correctly positioned.

8 Drop cable installation

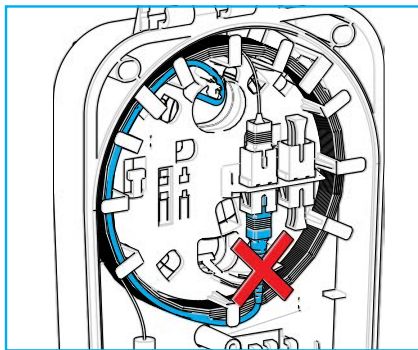
8.1 Routing of a drop cable coming through the wall




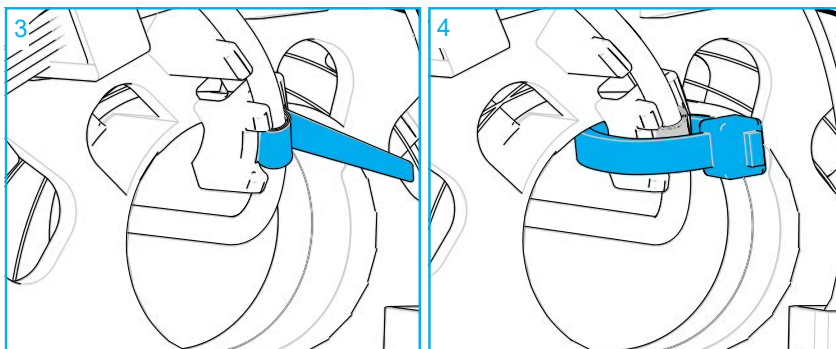
1 Carefully pull the necessary length of the cable through the wall and position it step by step around the organizer.

 **Note:** The cable can come from one of the two holes depending on the position of the cable.

2 Connect the connectorized cable to its assigned adapter on the bottom side.

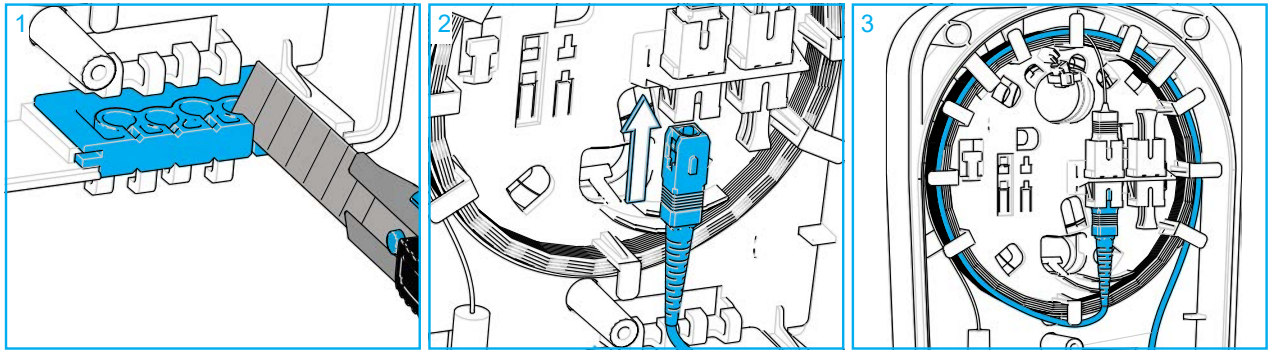


 **Note:** Don't route the cable directly to the adapter (without one turn around the spool). This can result in too small bend radii of the cable.

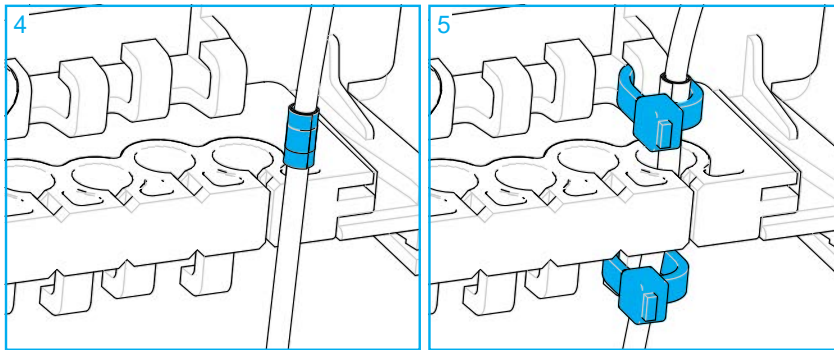


3 Add foam and a cable tie to secure the cable at the entrance of the hole.

8.2 Routing of a drop cable coming from the bottom using the grommet

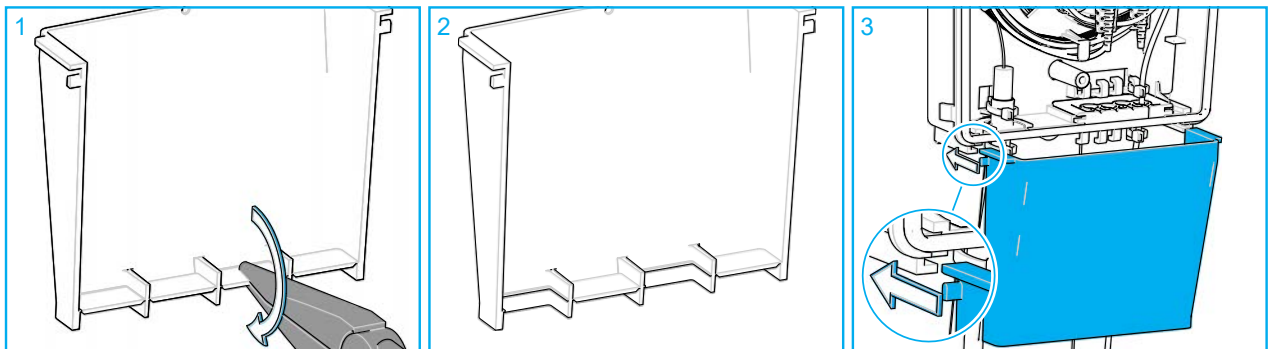


- 1 Cut a slit in the grommet on the most right position.
- 2 Remove dust caps of both connector and adapter at the bottom side. Clean per local practice. Plug in the connector. A clicking sound is observed when the connector is properly seated.
- 3 Make one turn around the organizer.

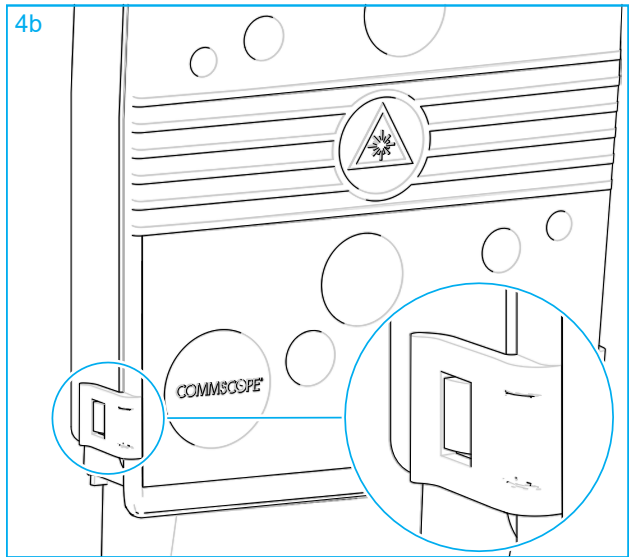
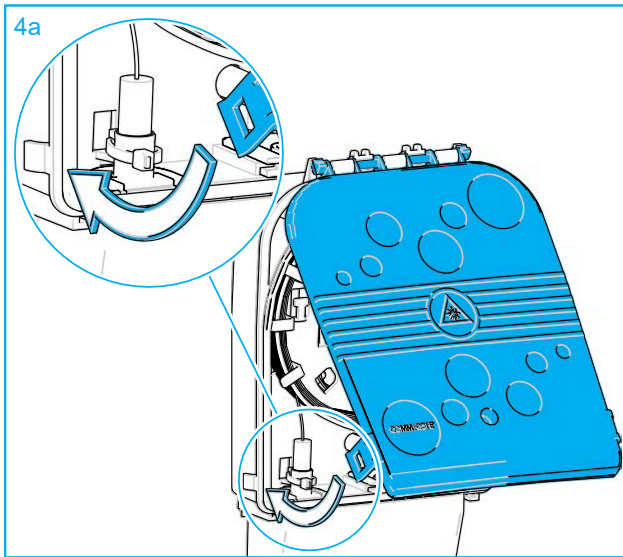


- 4 Wrap a layer of foam around the cable at the position of the T-shape
- 5 Push the cable through the grommet (where the cut was made). Secure the cable with two cable tie.

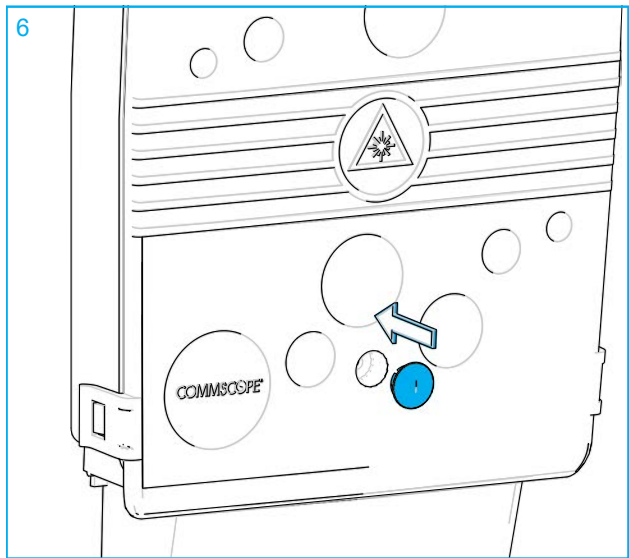
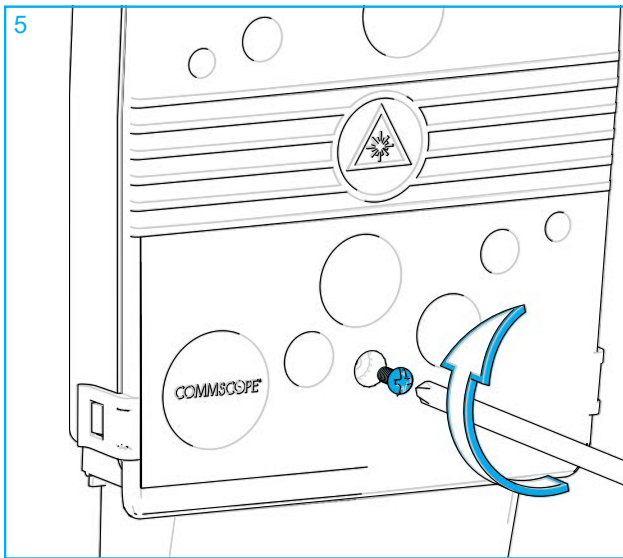
9 Install the cable cover and close the termination unit



- 1 Make sure to open/knock out the correct slot for the cables (both feeder and drop).
- 2 Slots are open for both feeder and drop.
- 3 Slide the cable cover in the tabs of the housing if available.



4 Close the cover until snap features snaps.



5 Secure the cover.

6 Install protection plug.

10 Trade-marks

All trademarks identified by ® are registered trademarks in the US and may be registered in other countries. All third party product names, trademarks and registered trademarks are property of their respective owners.

This document is for planning purposes only and is not intended to modify or supplement any specifications or warranties relating to CommScope products or services. CommScope is committed to the highest standards of business integrity and environmental sustainability, with a number of CommScope's facilities across the globe certified in accordance with international standards, including ISO 9001, TL 9000, and ISO 14001.

Further information regarding CommScope's commitment can be found at: <https://www.commscope.com/corporate-responsibility-and-sustainability>.

This product may be covered by one or more U.S. patents or their foreign equivalents. For patents, see www.cs-pat.com

11 Contact information

Visit our website or contact your local CommScope representative for more information.

For technical assistance, customer service, or to report any missing/damaged parts, visit us at: <http://www.commscope.com/SupportCenter>