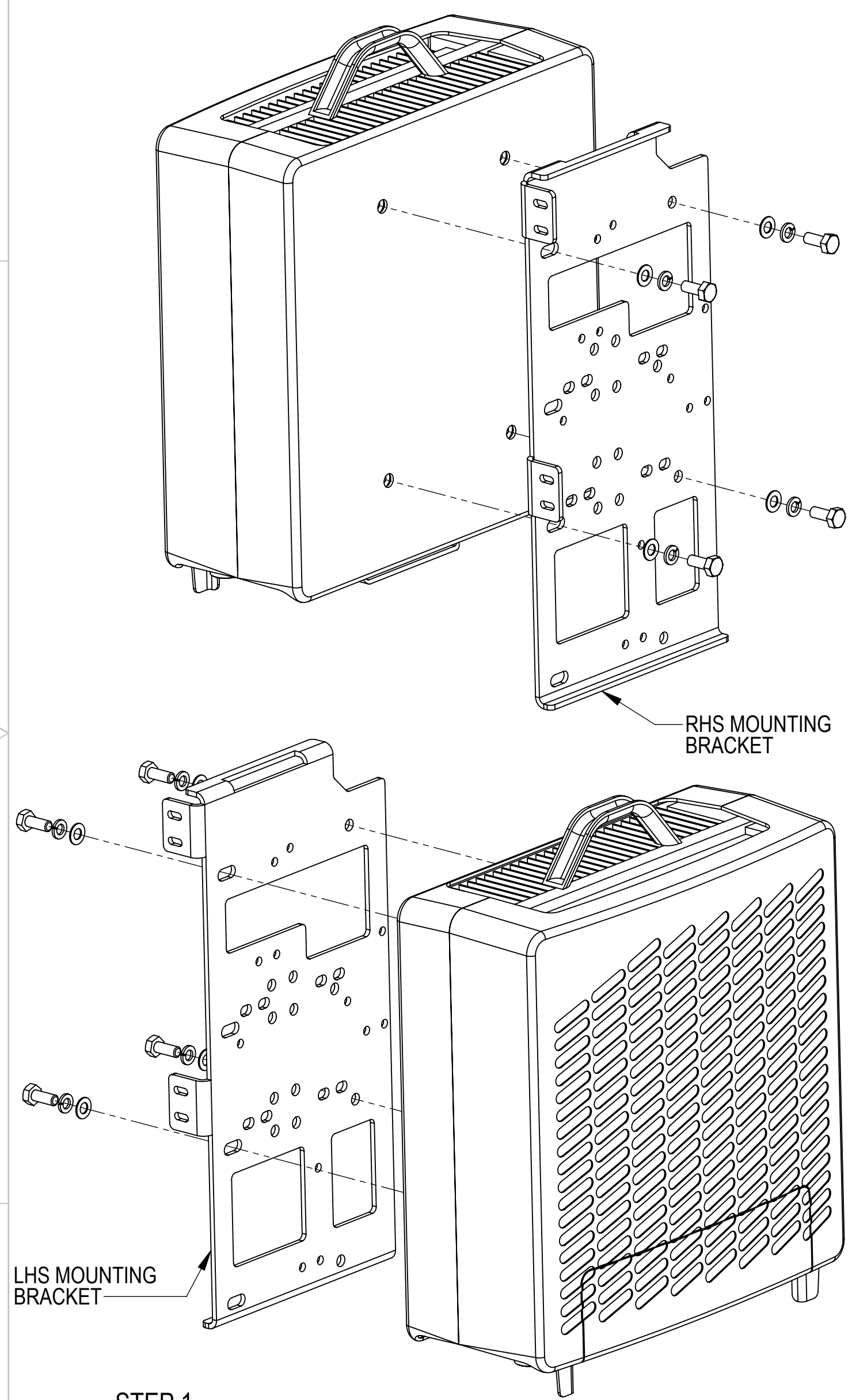


RRU11 INSTALLATION

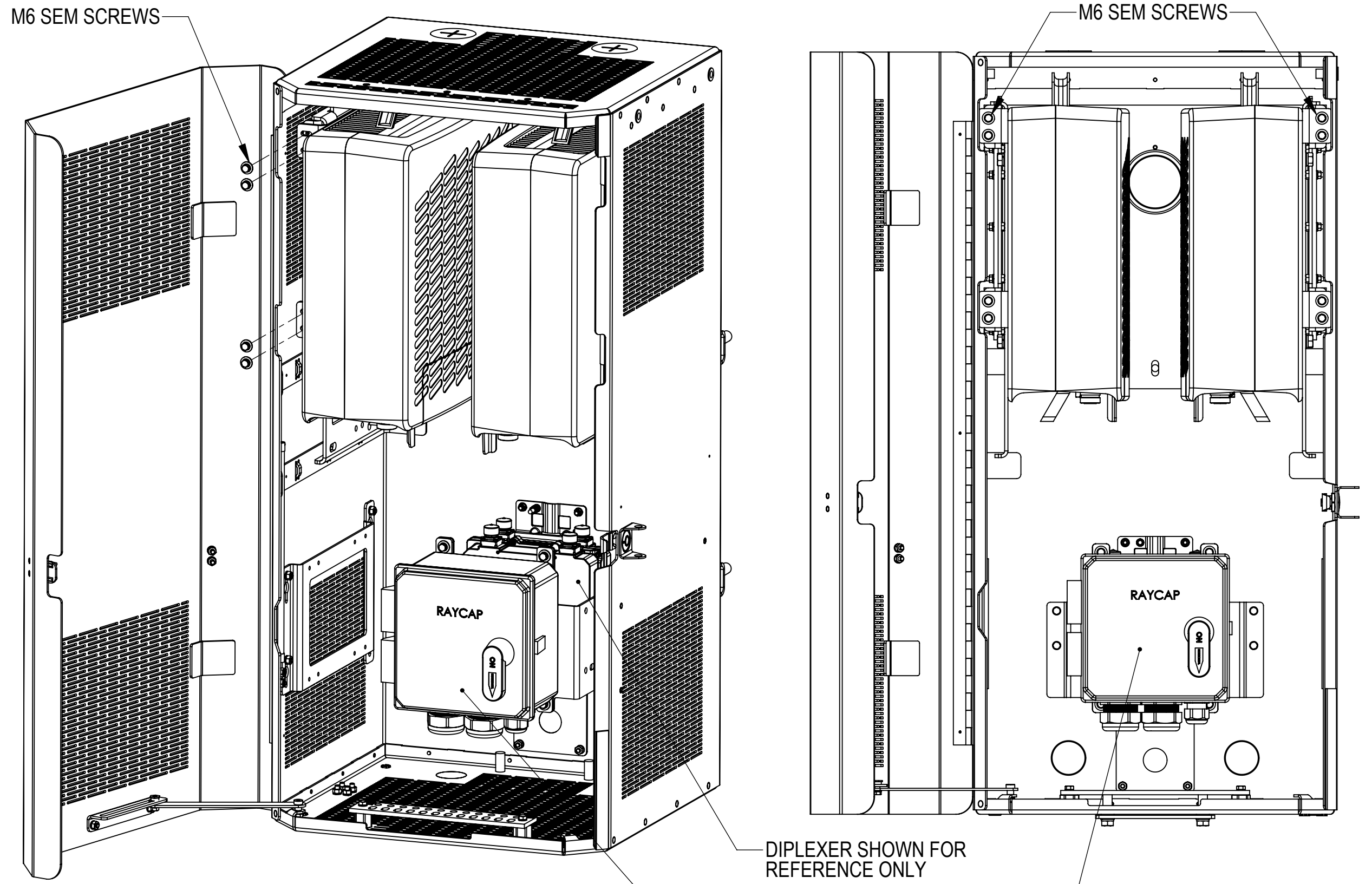
REVISIONS				
REV.	ECN	DESCRIPTION	BY	DATE
A	8000033395	INITIAL RELEASE	JP1130	01/16/19
B	8000035096	UPDATED VIEWS. ADDED SHEET 6 AND 7	JP1130	4/29/2019
C	8000036045	UPDATED VIEWS. ADDED SHEET 7, 8, 11	JP1130	6/27/2019



STEP 1

A) INSTALL RRU11 TO THE RHS MOUNTING BRACKET USING 4 SETS OF M10 SCREW, LOCK WASHER AND FLAT WASHERS

B) INSTALL RRU11 TO THE LHS MOUNTING BRACKET USING 4 SETS OF M10 SCREW, LOCK WASHER AND FLAT WASHERS



STEP 2

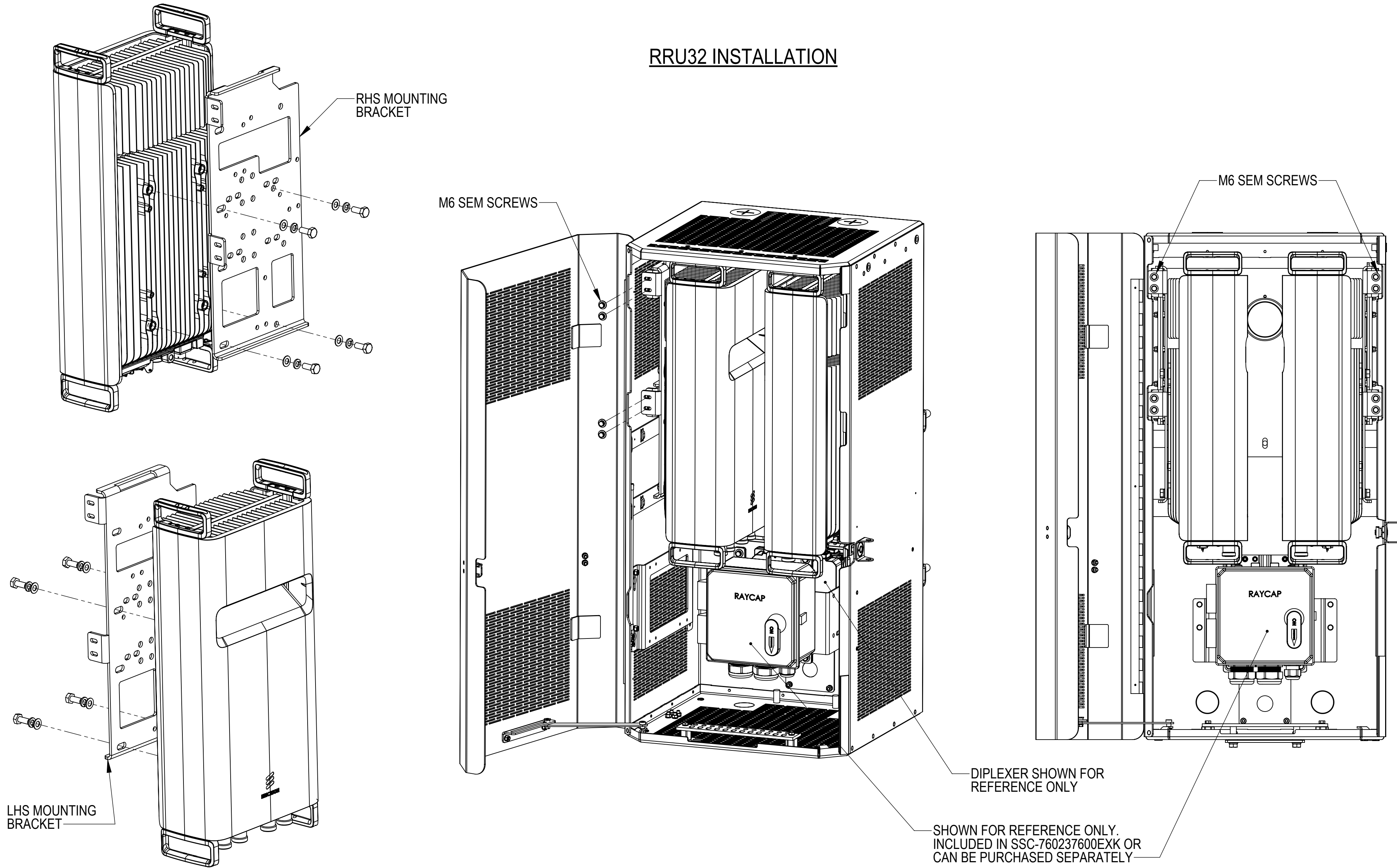
HANG THE SUB-ASSEMBLIES FROM STEP 1 IN THE ENCLOSURE AS SHOWN AND SECURE BY 4 SETS OF M6 SEM SCREWS ON EACH SIDE

SHOWN FOR REFERENCE ONLY. INCLUDED IN SSC-760237600EXK OR CAN BE PURCHASED SEPARATELY

COMMSCOPE, INC. OF NORTH CAROLINA									
TOLERANCES					SAP MATERIAL MASTER				
1 PLACE .X ± 0.25		3 PLACE .XXX ± 0.06							
2 PLACE .XX ± 0.12		ANGLES ± 0.5°							
FINISH N/A					MATERIAL N/A				
760237600E1 INSTALL									
NAME		DATE		TITLE					
CE JP1130		01/17/19							
RW JP1130		07/01/2019							
RV									
AD RW1043		07/01/2019							
RE JP1130		07/01/2019							
ECN 008000036045		SCALE 1:6		DOCUMENT NO. 760237600E1 INSTALL					
SIZE WORK AREA 24		MODEL		DRAWING				SHEET	
C		07		VERSION		STATUS		REVISION	
				08		RE		C	

DENSITY	lbs/in ³
MASS	lbs
VOLUME	in ³
SURFACE AREA	in ²
HEIGHT	
LENGTH	
WIDTH	

RRU32 INSTALLATION



STEP 1

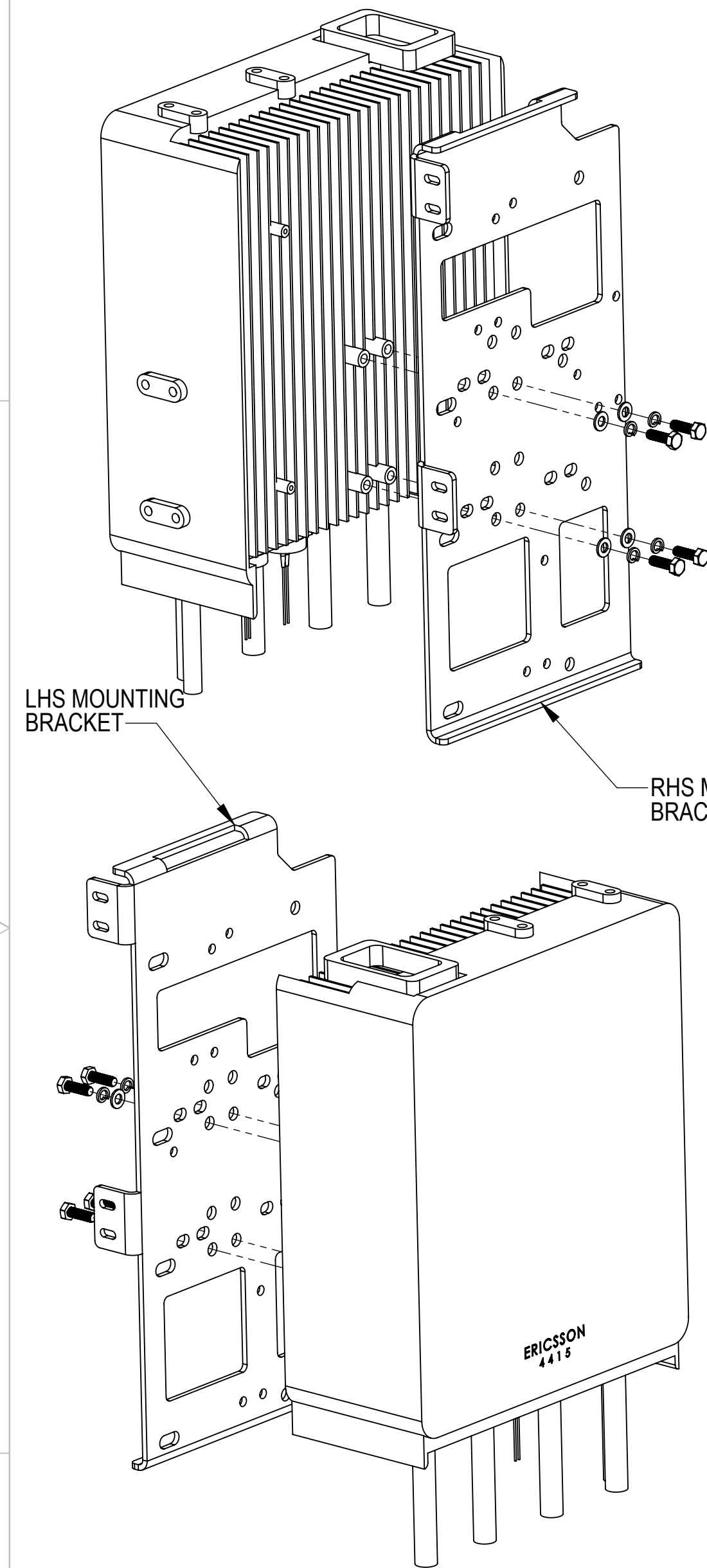
- A) INSTALL RRU32 TO THE RHS MOUNTING BRACKET USING 4 SETS OF M10 SCREW, LOCK WASHER AND FLAT WASHERS
- B) INSTALL RRU32 TO THE LHS MOUNTING BRACKET USING 4 SETS OF M10 SCREW, LOCK WASHER AND FLAT WASHERS

STEP 2

HANG THE SUB-ASSEMBLIES FROM STEP 1 IN THE ENCLOSURE AS SHOWN AND SECURE BY 4 SETS OF M6 SEM SCREWS ON EACH SIDE

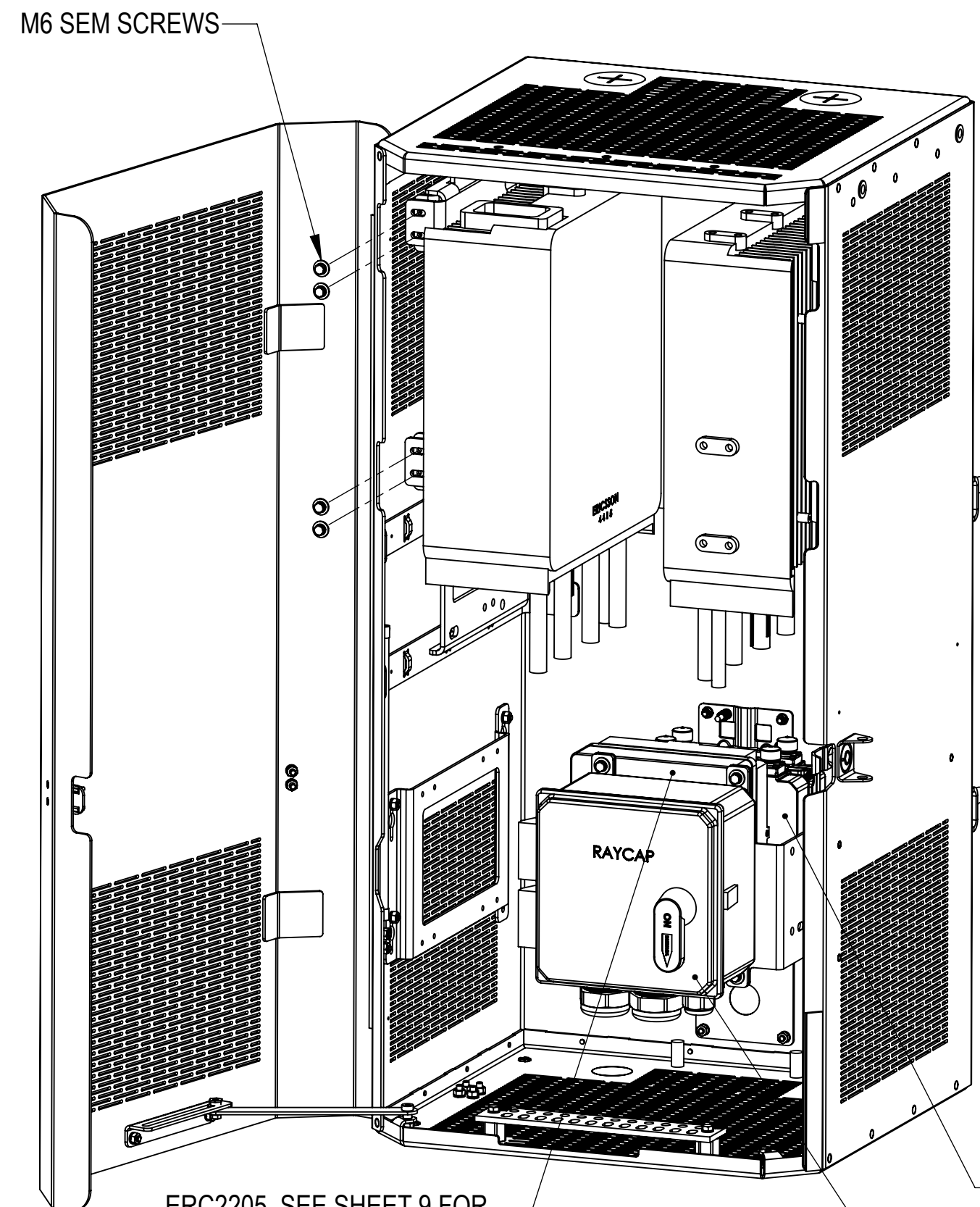
COMMSCOPE, INC. OF NORTH CAROLINA				
TITLE 760237600E1 INSTALL				
SIZE C	SCALE 1:6	DOCUMENT NO. 760237600E1 INSTALL		
		DRAWING		SHEET
		VERSION 08	STATUS RE	REVISION C
				2 OF 12

ERC4415 / 4426 / 4478 INSTALLATION



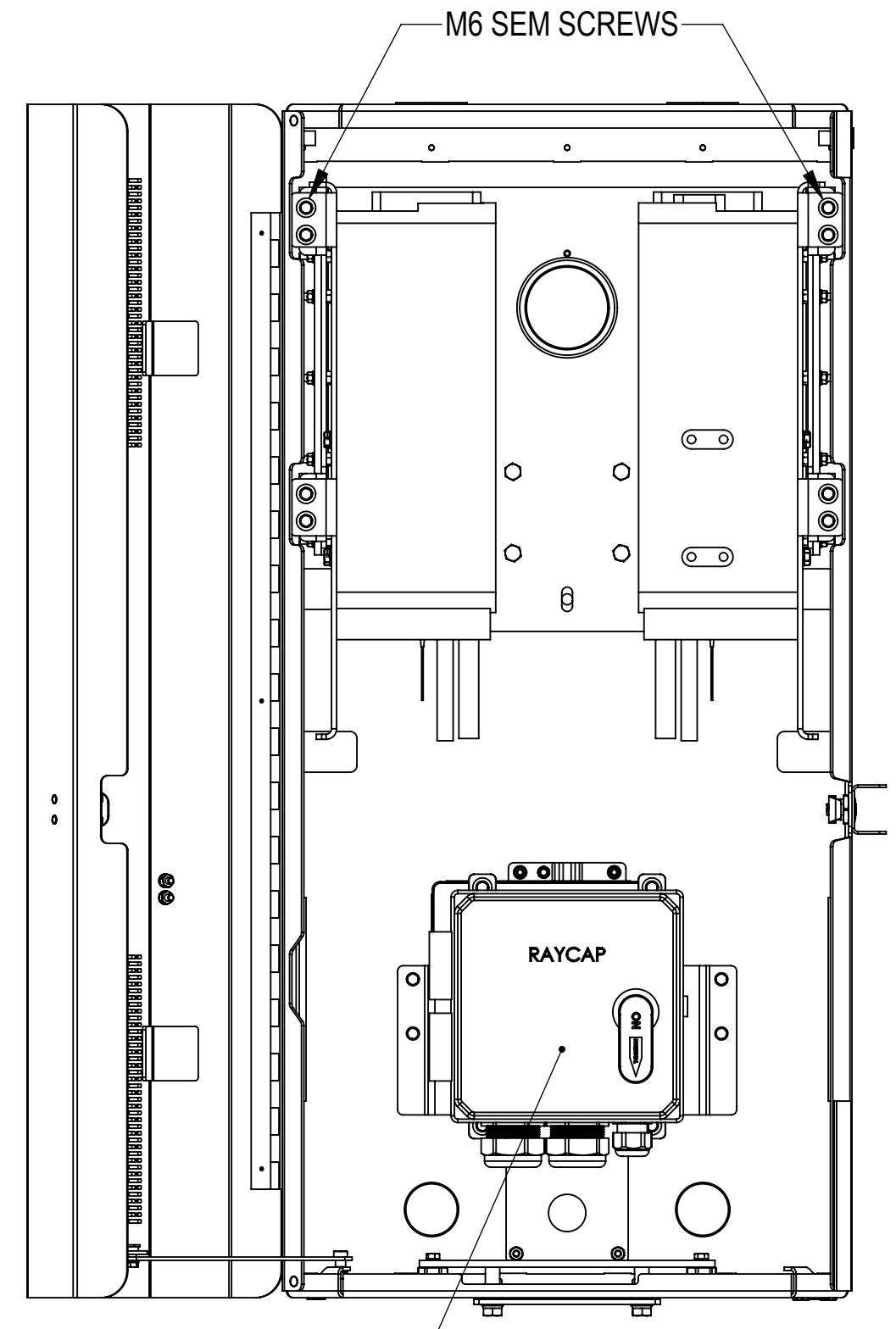
STEP 1

- A) INSTALL ERC4415/4426/4478 TO THE RHS MOUNTING BRACKET USING 4 SETS OF M8 SCREW, LOCK WASHER AND FLAT WASHERS
- B) INSTALL ERC4415/4426/4478 TO THE LHS MOUNTING BRACKET USING 4 SETS OF M8 SCREW, LOCK WASHER AND FLAT WASHERS



STEP 2

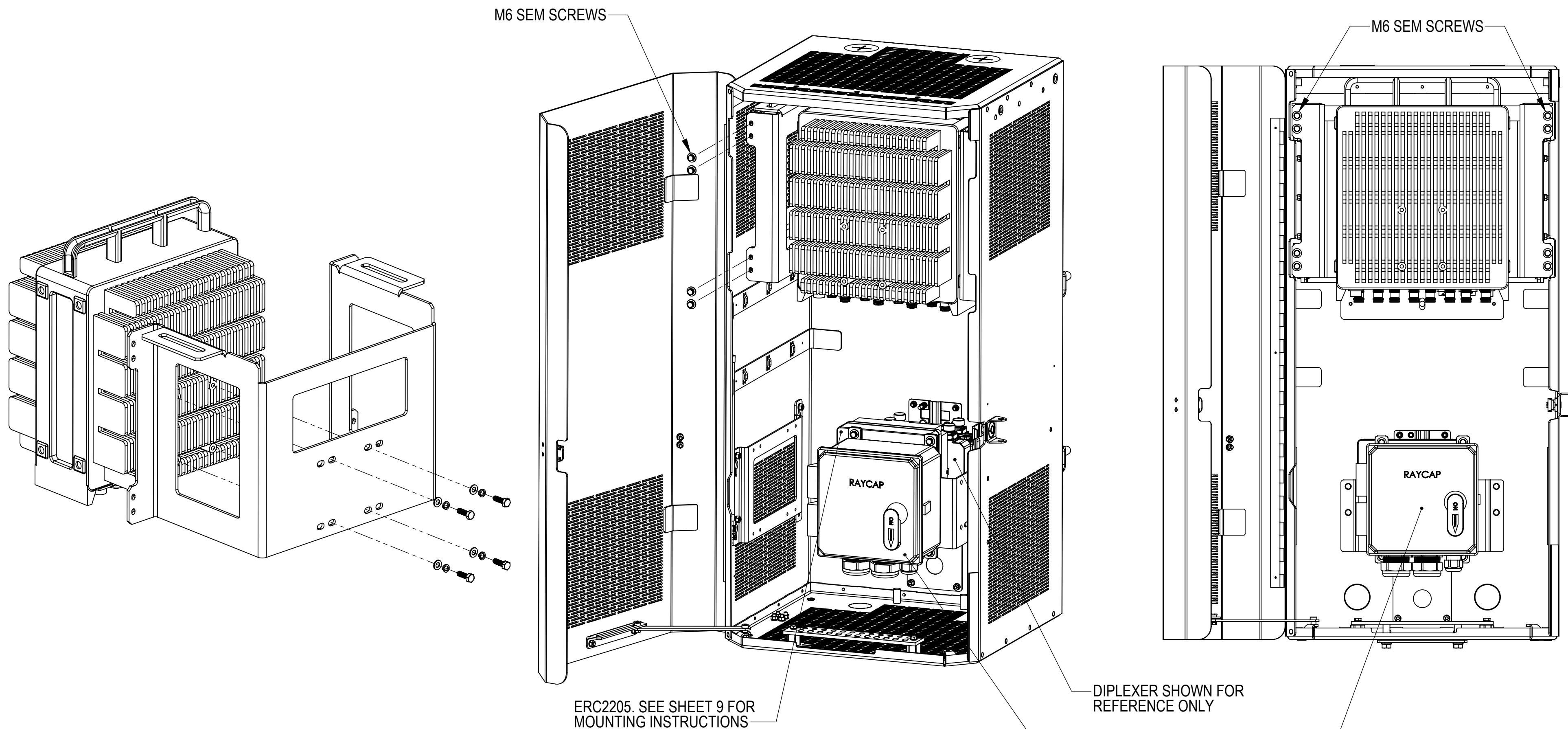
HANG THE SUB-ASSEMBLIES FROM STEP 1 IN THE ENCLOSURE AS SHOWN AND SECURE BY 4 SETS OF M6 SEM SCREWS ON EACH SIDE



SHOWN FOR REFERENCE ONLY. INCLUDED IN SSC-760237600EXK OR CAN BE PURCHASED SEPARATELY

COMMSCOPE, INC. OF NORTH CAROLINA				
TITLE 760237600E1 INSTALL				
SIZE C	SCALE 1:6	DOCUMENT NO. 760237600E1 INSTALL		
DRAWING		VERSION	STATUS	REVISION
		08	RE	C
				SHEET 3 OF 12

ERC8843 INSTALLATION



STEP 1

INSTALL ERC8843 TO THE MOUNTING BRACKET MTM1045-101 USING 4 SETS OF M8 SCREW, LOCK WASHER AND FLAT WASHERS

STEP 2

HANG THE SUB-ASSEMBLY FROM STEP 1 IN THE ENCLOSURE AS SHOWN AND SECURE BY 8 SETS OF M6 SEM SCREWS ON EACH SIDE

SHOWN FOR REFERENCE ONLY. INCLUDED IN SSC-760237600EXK OR CAN BE PURCHASED SEPARATELY

COMMSCOPE, INC. OF NORTH CAROLINA				
TITLE				
760237600E1 INSTALL				
SIZE	SCALE	DOCUMENT NO.		
C	1:6	760237600E1 INSTALL		
DRAWING				SHEET
VERSION	STATUS	REVISION	4 OF 12	
08	RE	C		

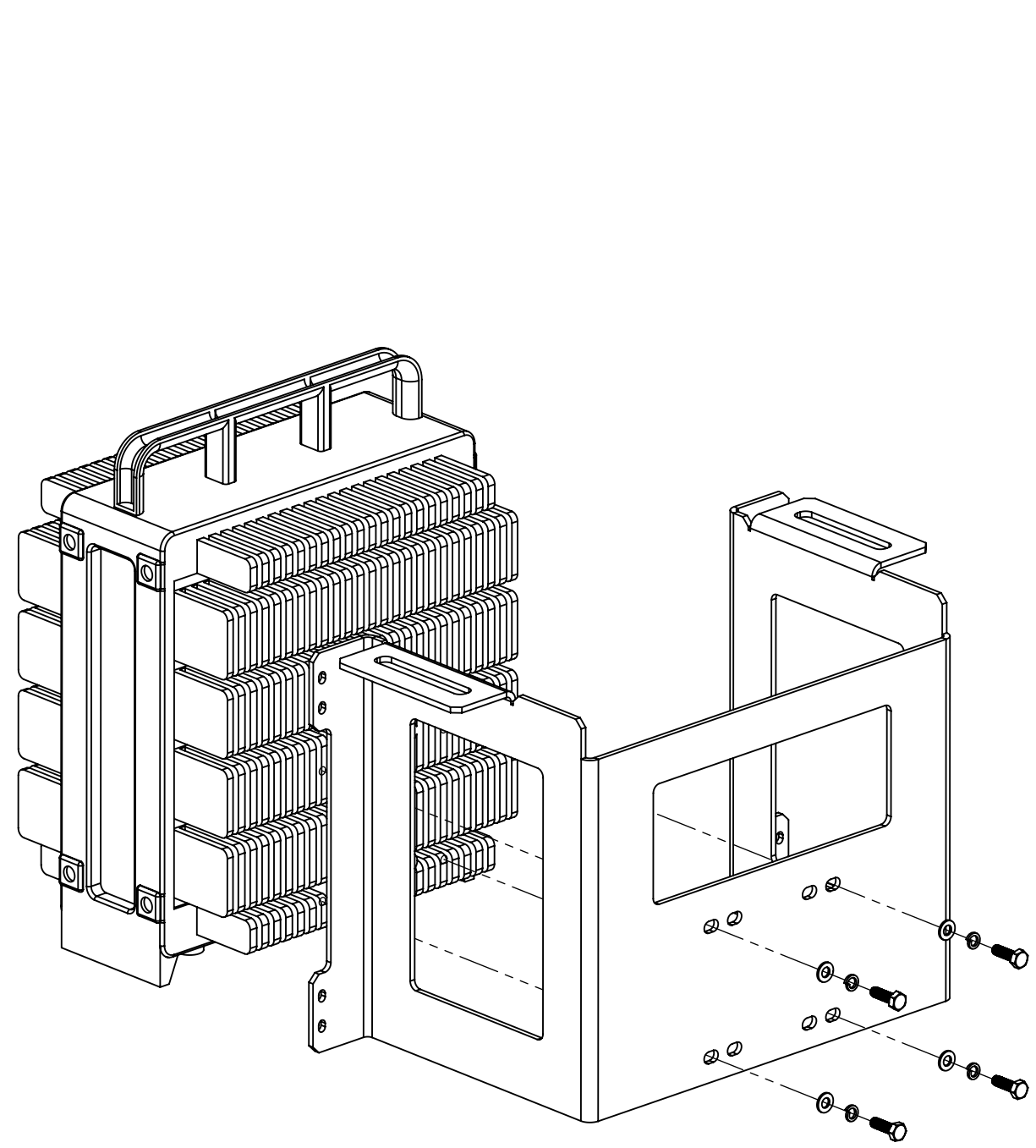
4

3

2

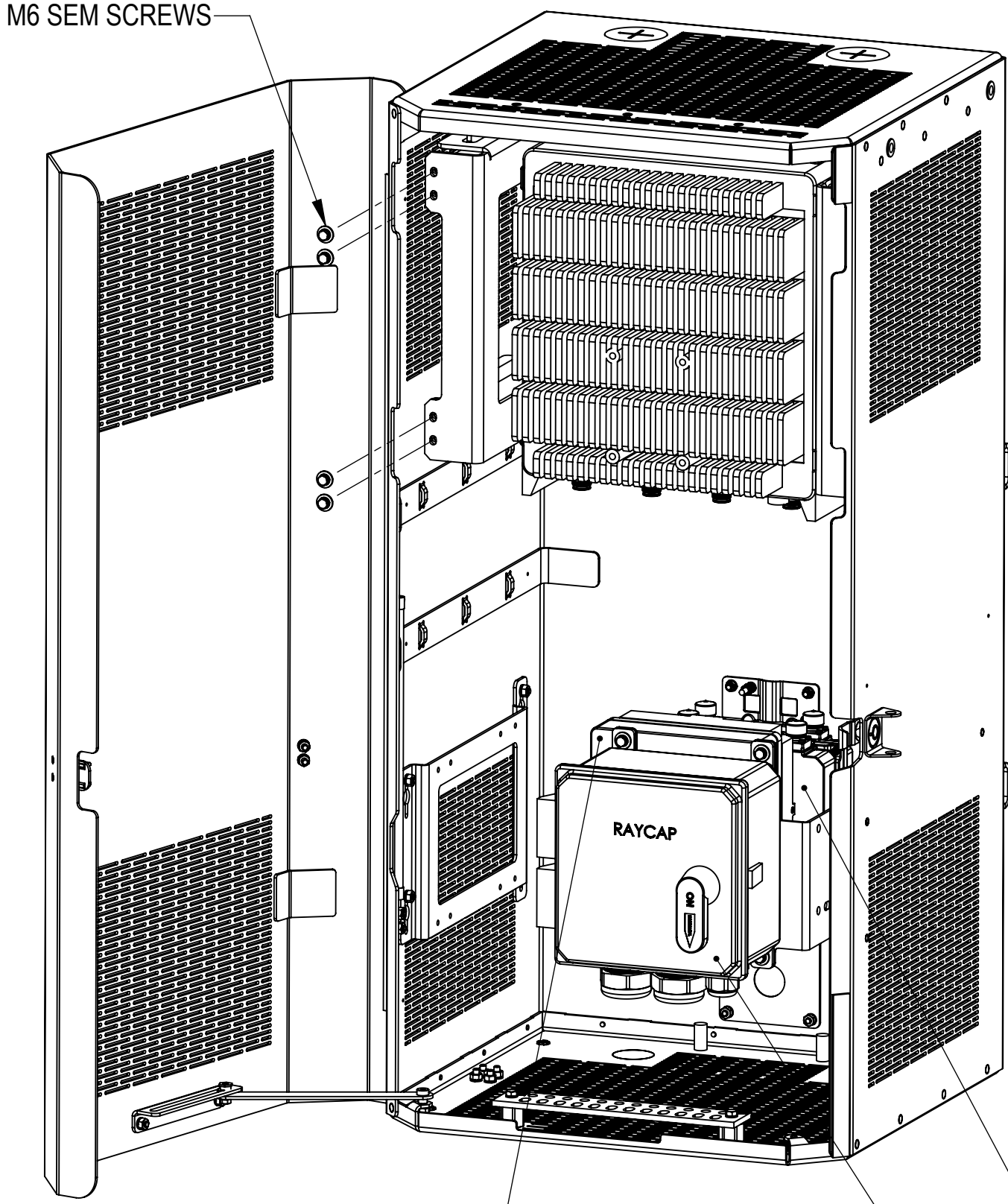
1

ERC4449 INSTALLATION



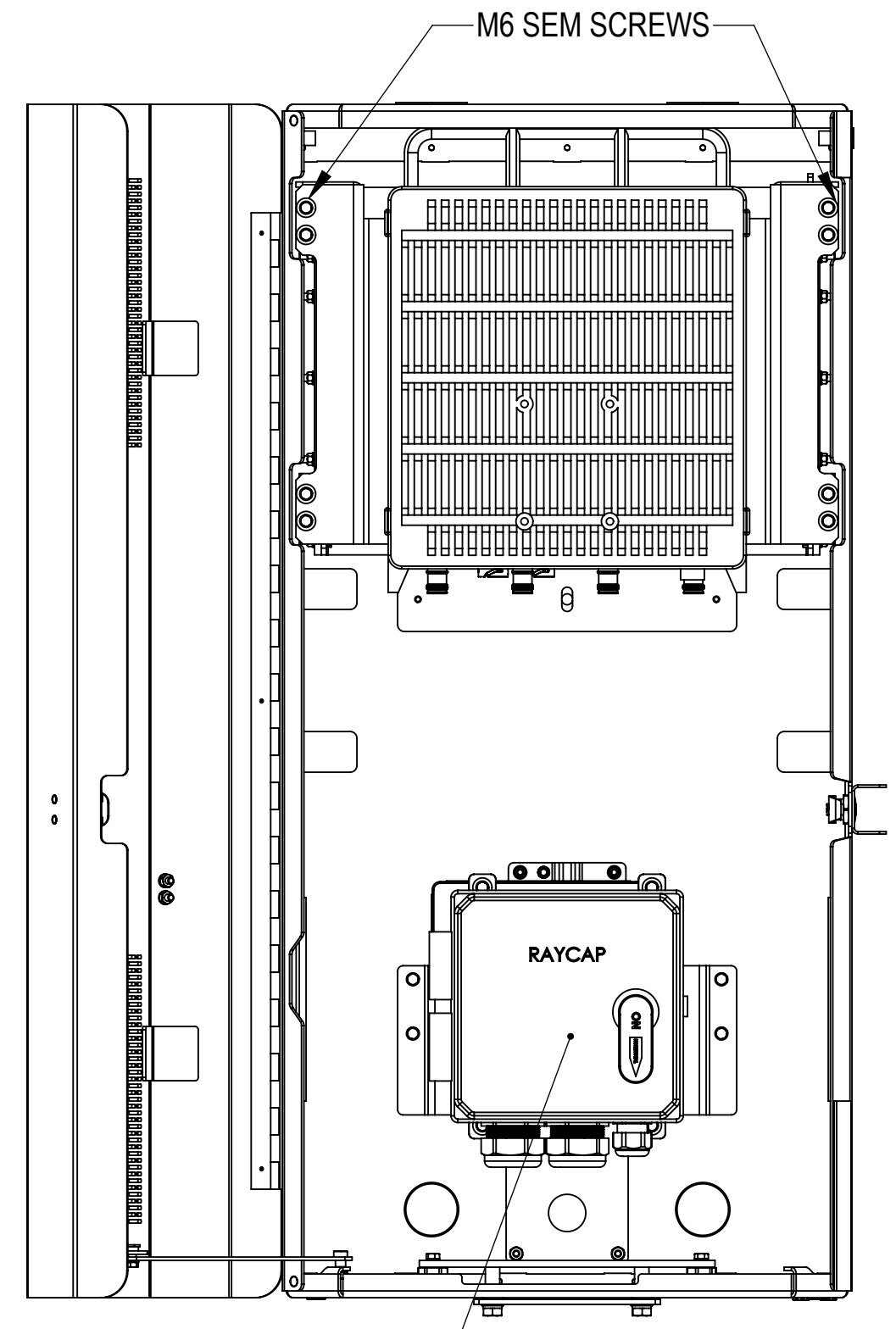
STEP 1

INSTALL ERC4449 TO THE MOUNTING BRACKET
MTM1045-101 USING 4 SETS OF M8 SCREW, LOCK
WASHER AND FLAT WASHERS



STEP 2

HANG THE SUB-ASSEMBLY FROM STEP 1 IN THE
ENCLOSURE AS SHOWN AND SECURE BY 8 SETS
OF M6 SEM SCREWS ON EACH SIDE



SHOWN FOR REFERENCE ONLY.
INCLUDED IN SSC-760237600EXK OR
CAN BE PURCHASED SEPARATELY

COMMSCOPE, INC. OF NORTH CAROLINA				
TITLE				
760237600E1 INSTALL				
SIZE	SCALE	DOCUMENT NO.		
C	1:6	760237600E1 INSTALL		
DRAWING				SHEET
VERSION	STATUS	REVISION	5 OF 12	
08	RE	C		

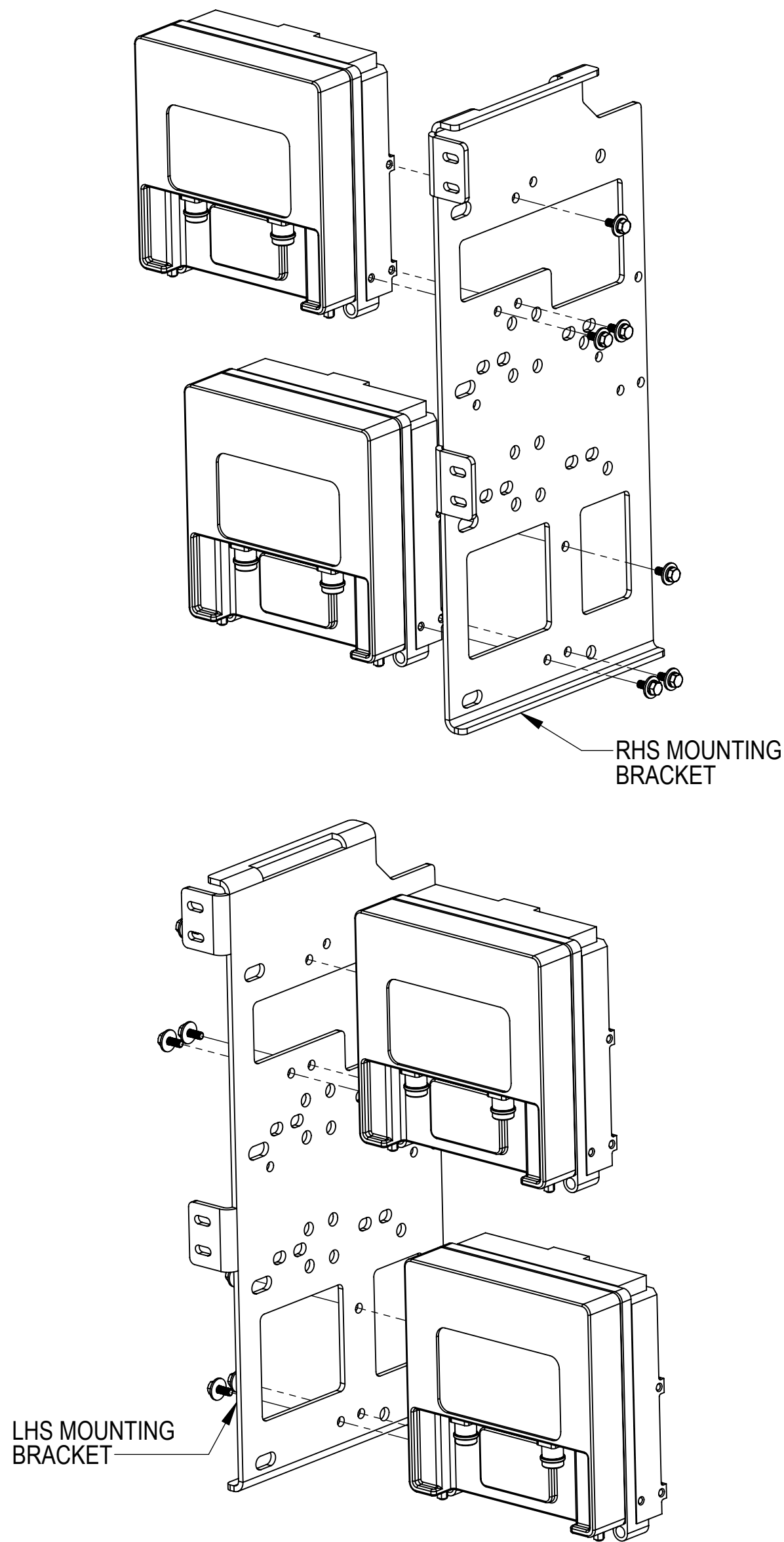
4

3

2

1

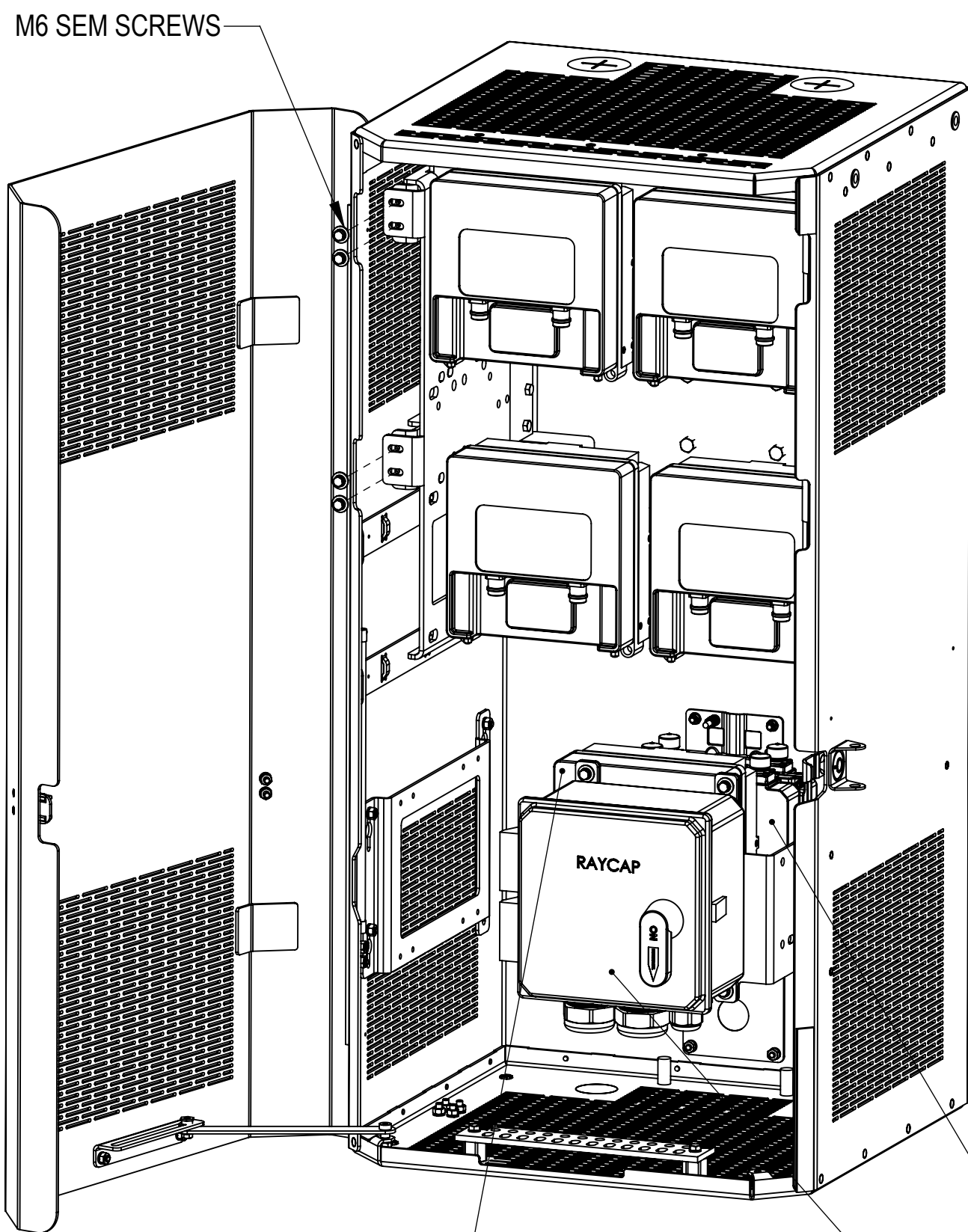
ERC2203 INSTALLATION



STEP 1

A) INSTALL 2X ERC2203 RADIOS TO THE RHS MOUNTING BRACKET USING 6X M6 SEM SCREWS

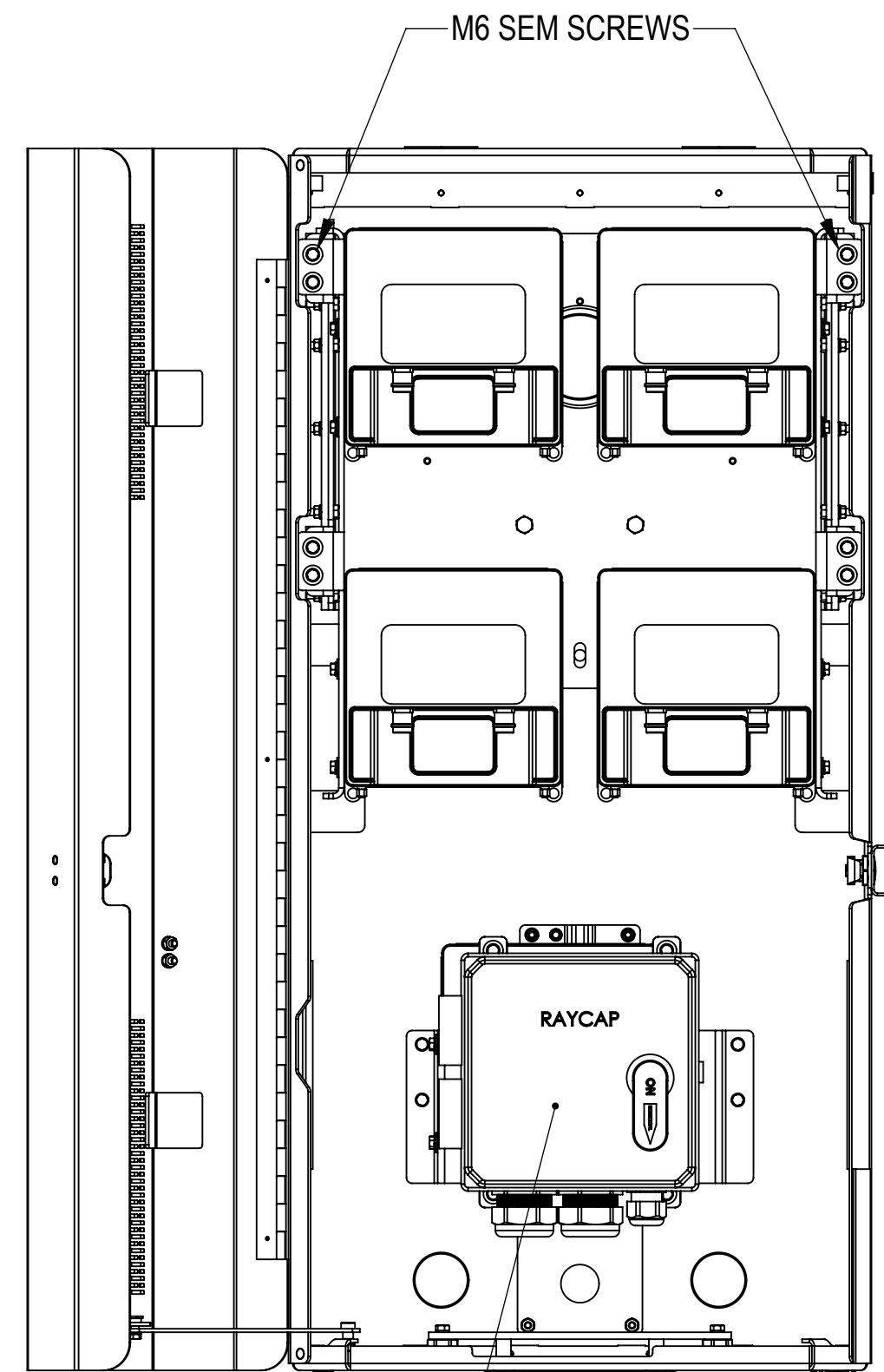
B) INSTALL 2X ERC2203 RADIOS TO THE LHS MOUNTING BRACKET USING 6X M6 SEM SCREWS



ERC2205. SEE SHEET 9 FOR MOUNTING INSTRUCTIONS

STEP 2

HANG THE SUB-ASSEMBLIES FROM STEP 1 IN THE ENCLOSURE AS SHOWN AND SECURE BY 4 SETS OF M6 SEM SCREWS ON EACH SIDE

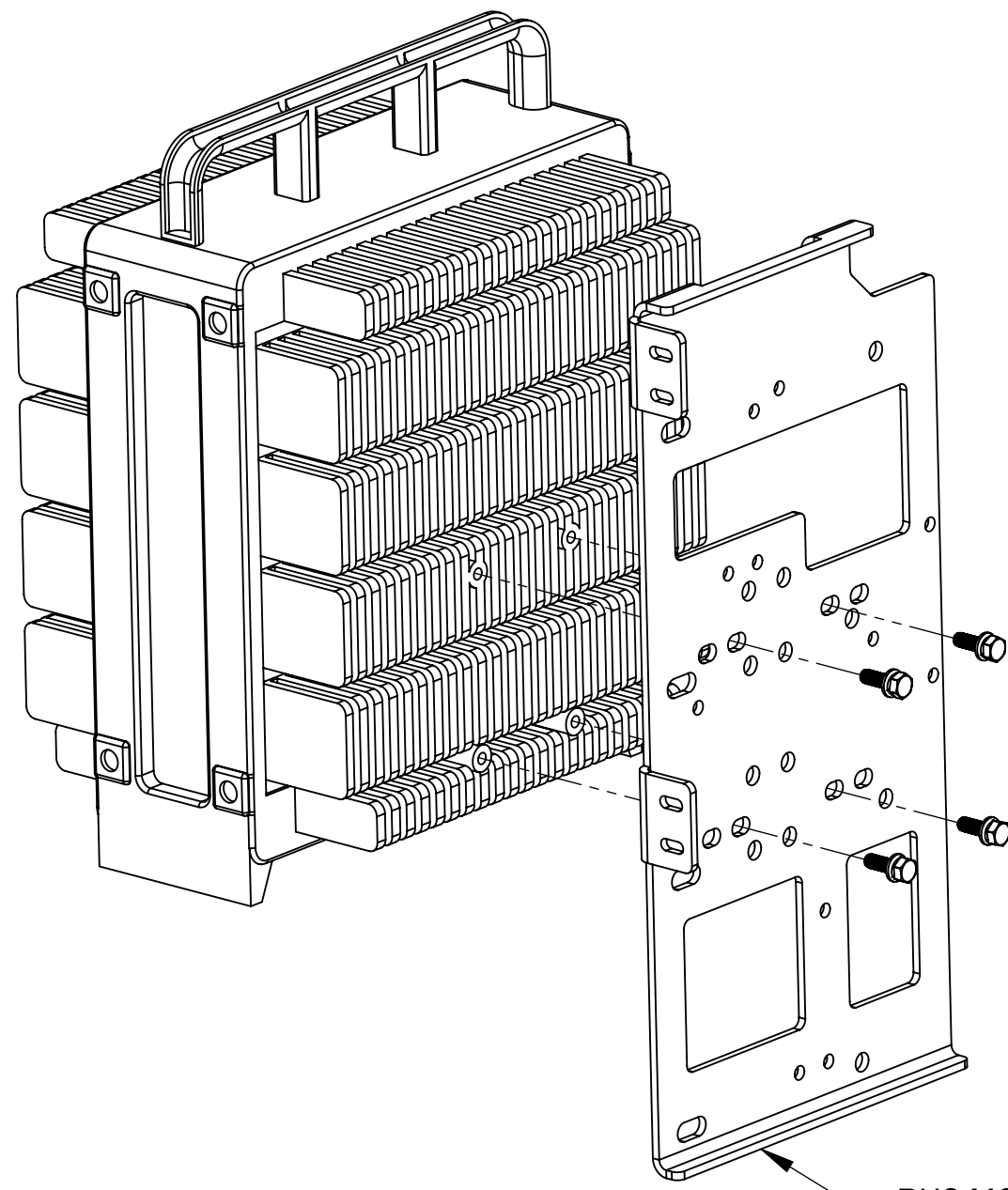


DIPLEXER SHOWN FOR REFERENCE ONLY

SHOWN FOR REFERENCE ONLY. INCLUDED IN SSC-760237600EXK OR CAN BE PURCHASED SEPARATELY

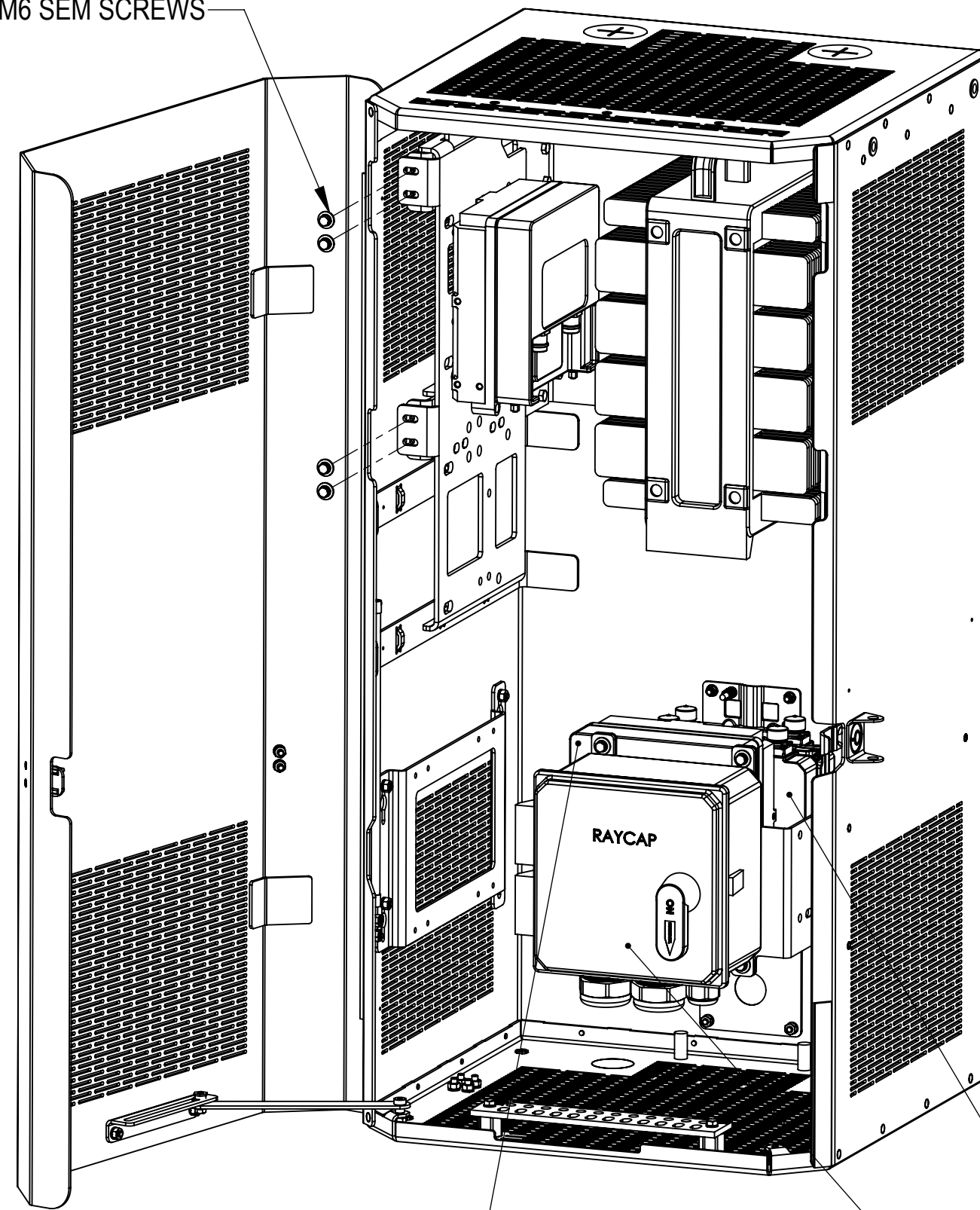
COMMSCOPE, INC. OF NORTH CAROLINA				
TITLE				
760237600E1 INSTALL				
SIZE	SCALE	DOCUMENT NO.		
C	1:6	760237600E1 INSTALL		
		DRAWING		
		VERSION	STATUS	REVISION
		08	RE	C
				SHEET
				6 OF 12

ERC2203 AND ERC4449 INSTALLATION



RHS MOUNTING BRACKET

M6 SEM SCREWS

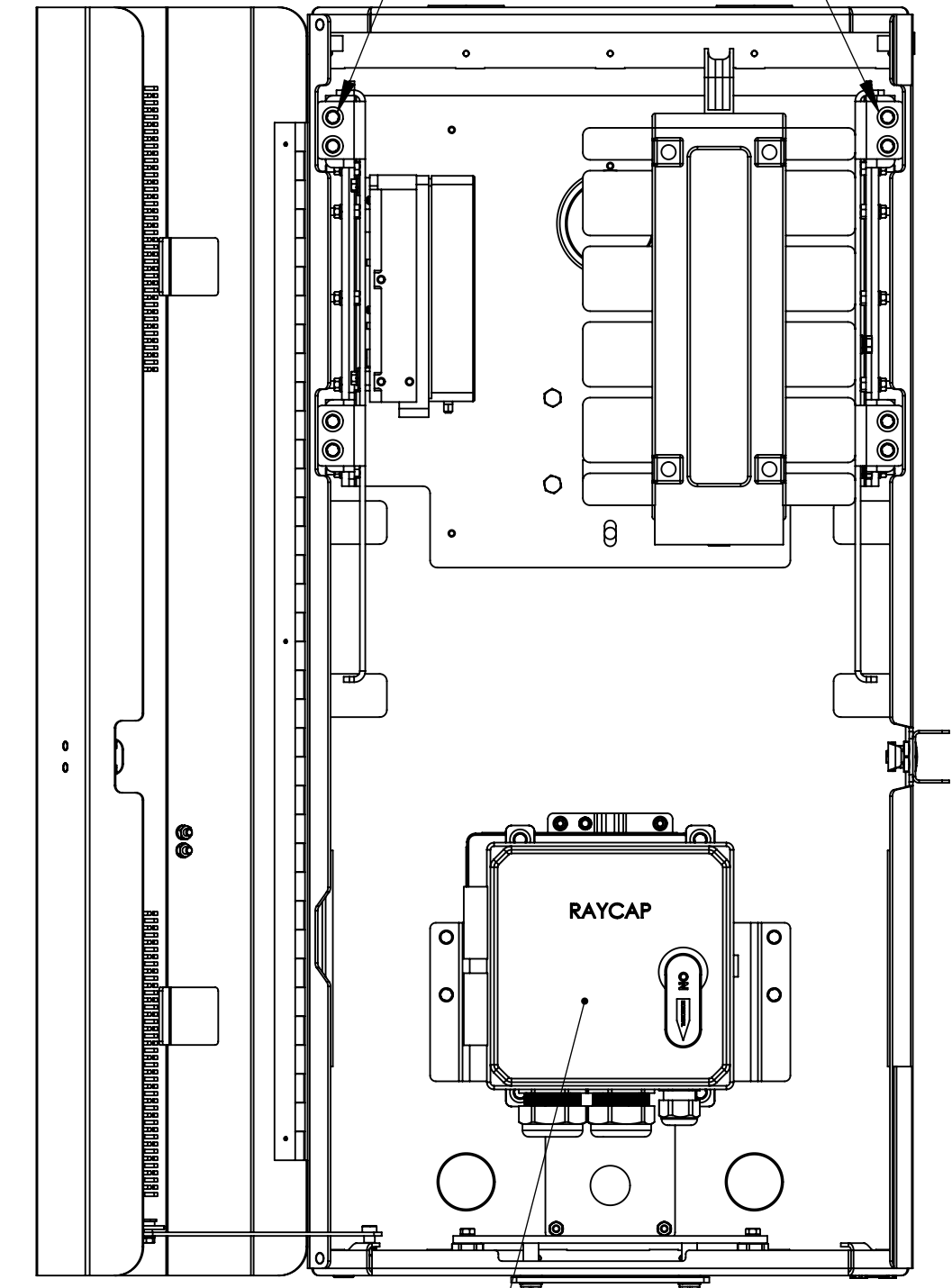


ERC2205. SEE SHEET 9 FOR MOUNTING INSTRUCTIONS

SHOWN FOR REFERENCE ONLY. INCLUDED IN SSC-760237600EXK OR CAN BE PURCHASED SEPARATELY

DIPLEXER SHOWN FOR REFERENCE ONLY

M6 SEM SCREWS



STEP 2

HANG THE SUB-ASSEMBLIES FROM STEP 1 IN THE ENCLOSURE AS SHOWN AND SECURE BY 4 SETS OF M6 SEM SCREWS ON EACH SIDE

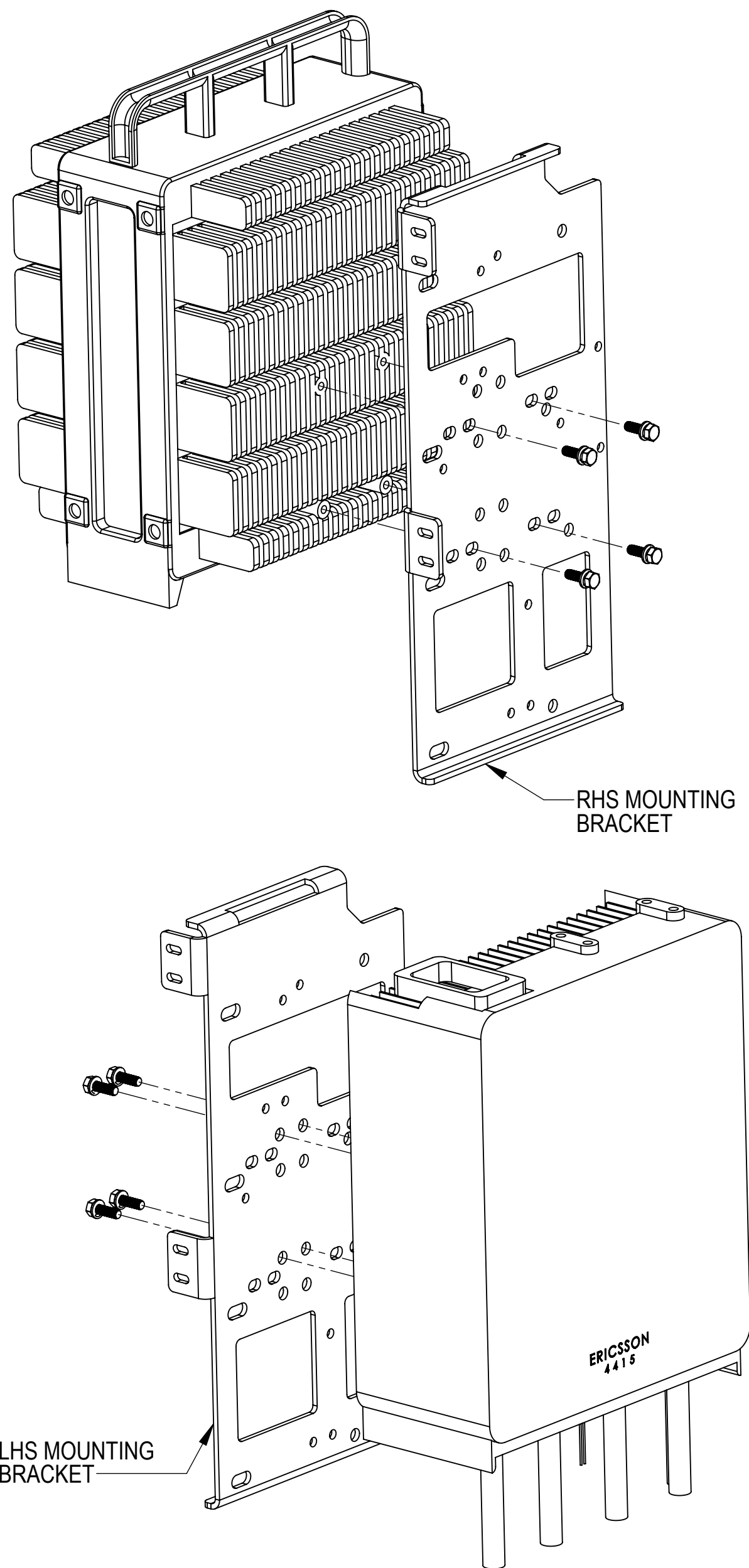
STEP 1

A) INSTALL 1X ERC2203 RADIO TO THE LHS MOUNTING BRACKET USING 3X M6 SEM SCREWS

B) INSTALL ERC4449 RADIO TO THE RHS MOUNTING BRACKET USING 4 SETS OF M8 SCREW, LOCK WASHER AND FLAT WASHERS

COMMSCOPE, INC. OF NORTH CAROLINA				
TITLE				
760237600E1 INSTALL				
SIZE	SCALE	DOCUMENT NO.		
C	1:6	760237600E1 INSTALL		
		DRAWING		
		VERSION	STATUS	REVISION
		08	RE	C
				SHEET
				7 OF 12

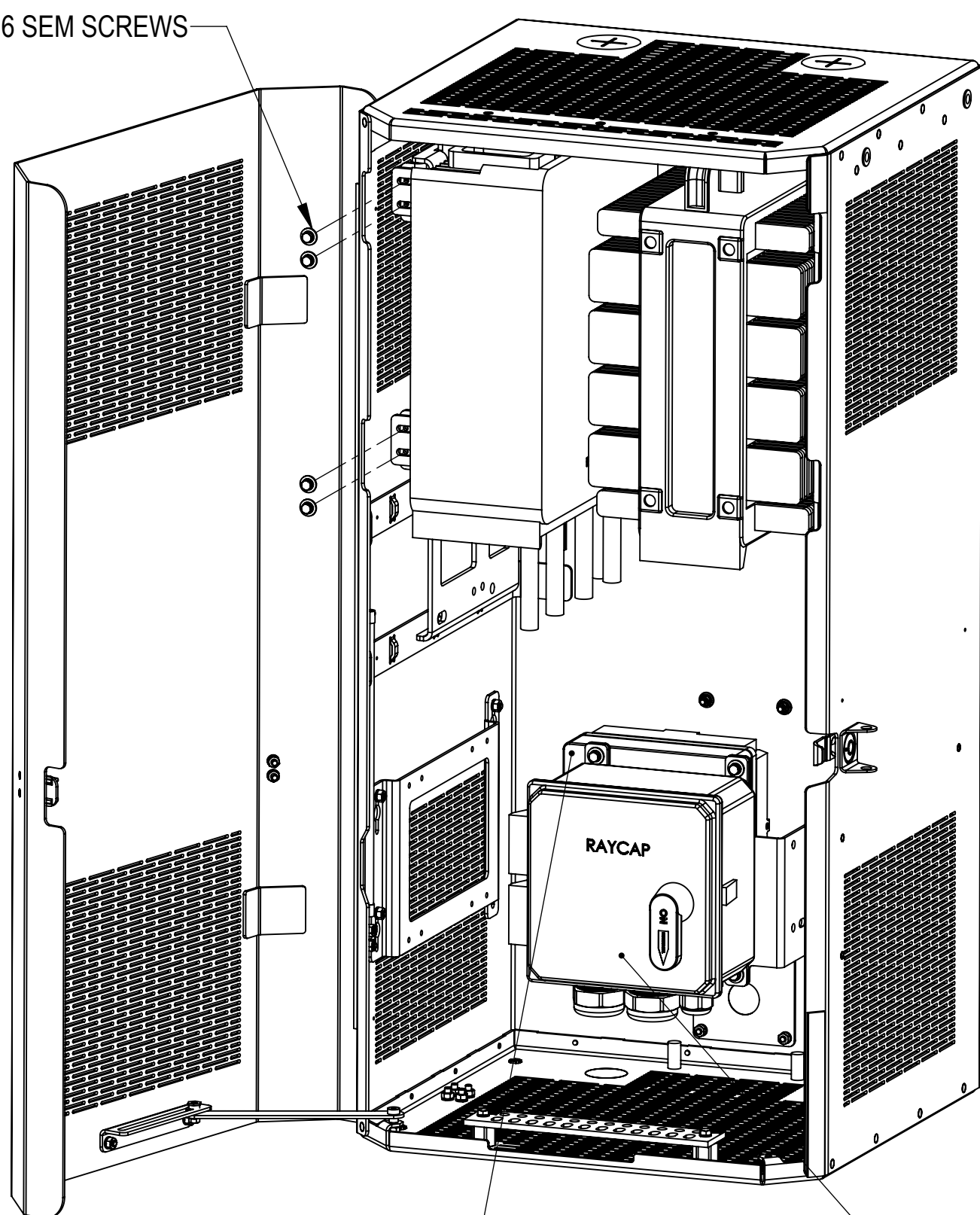
ERC4415 AND ERC4449 INSTALLATION



M6 SEM SCREWS

RHS MOUNTING BRACKET

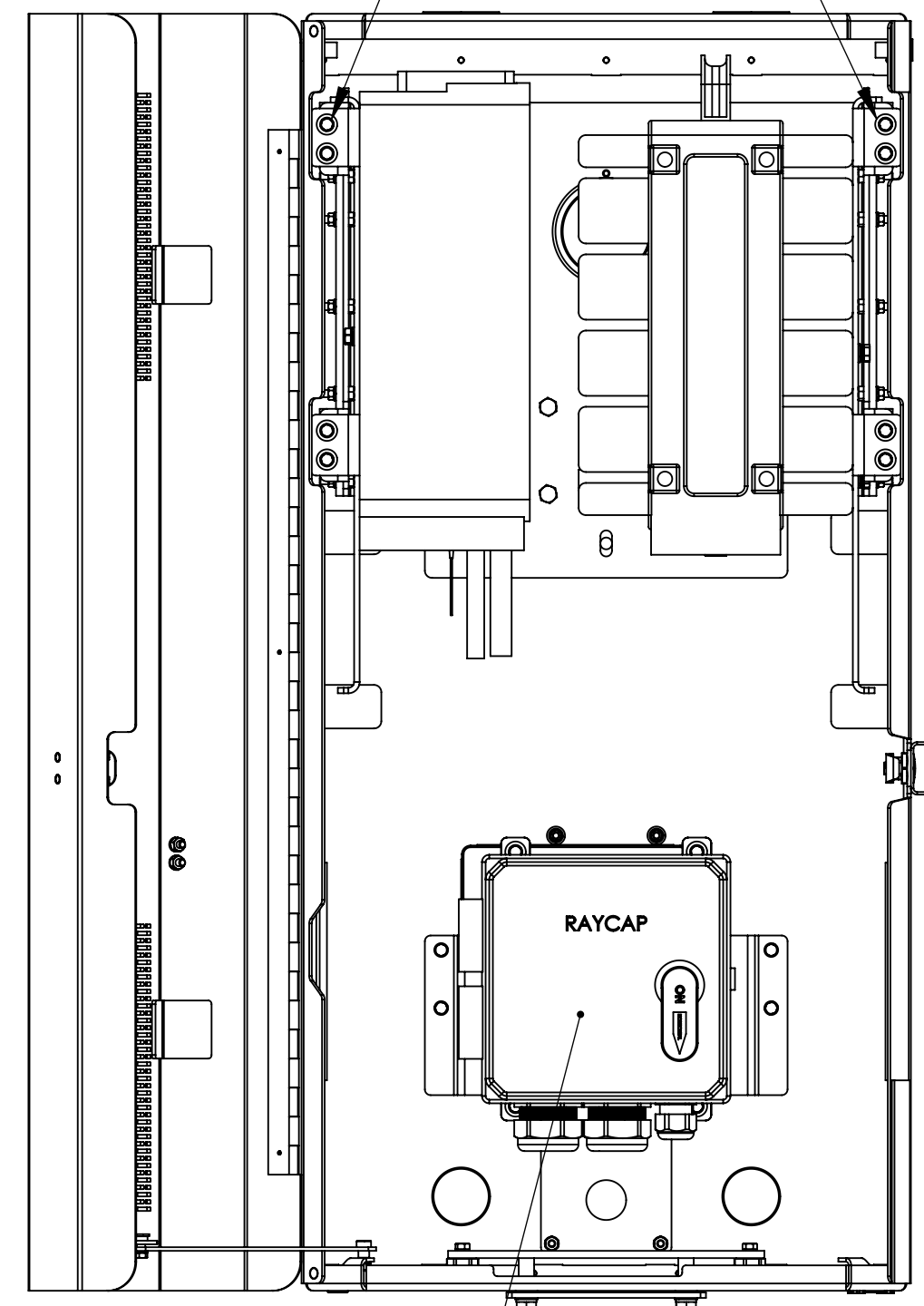
LHS MOUNTING BRACKET



ERC2205. SEE SHEET 9 FOR MOUNTING INSTRUCTIONS

SHOWN FOR REFERENCE ONLY. INCLUDED IN SSC-760237600EXK OR CAN BE PURCHASED SEPARATELY

M6 SEM SCREWS



STEP 2

HANG THE SUB-ASSEMBLIES FROM STEP 1 IN THE ENCLOSURE AS SHOWN AND SECURE BY 4 SETS OF M6 SEM SCREWS ON EACH SIDE

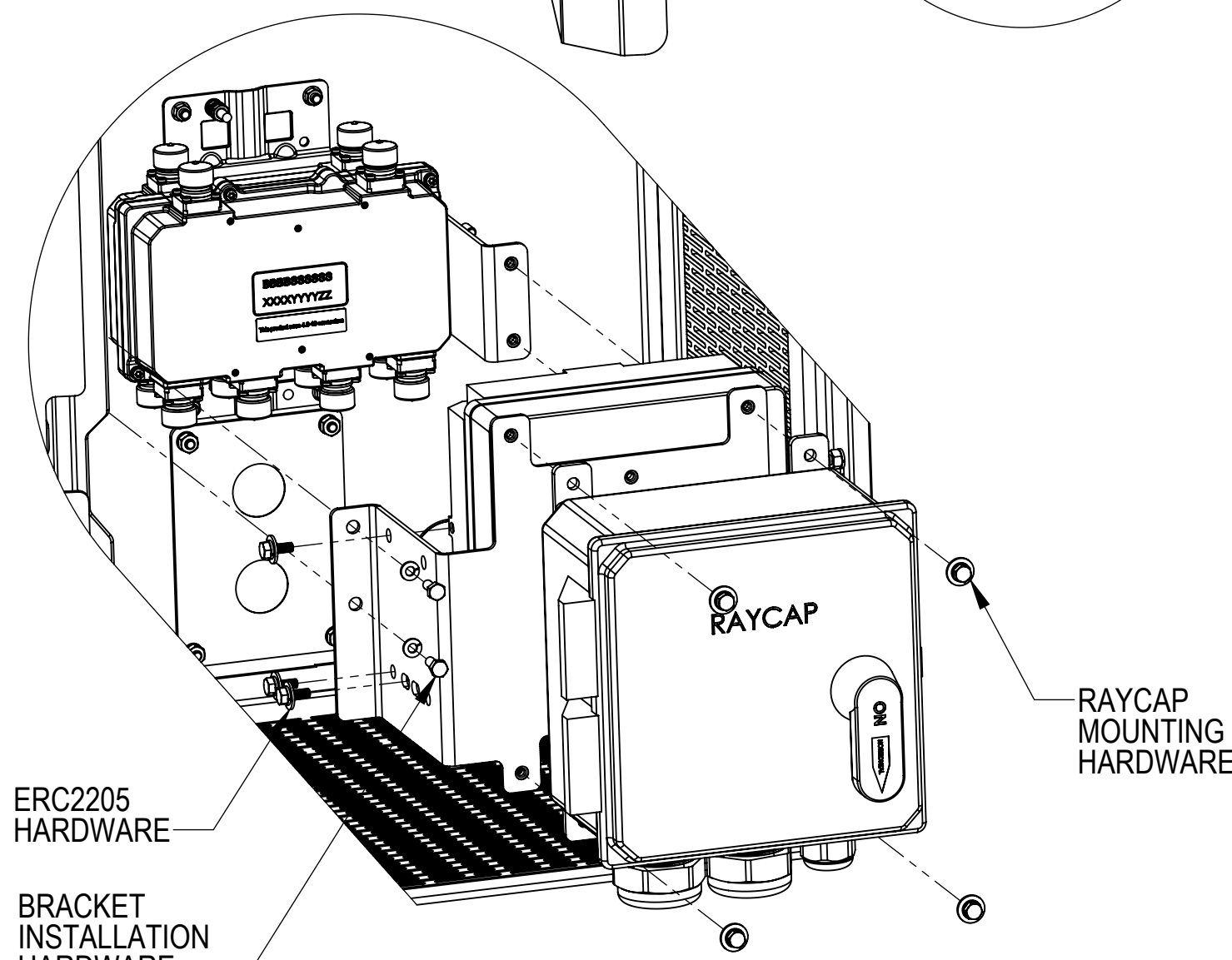
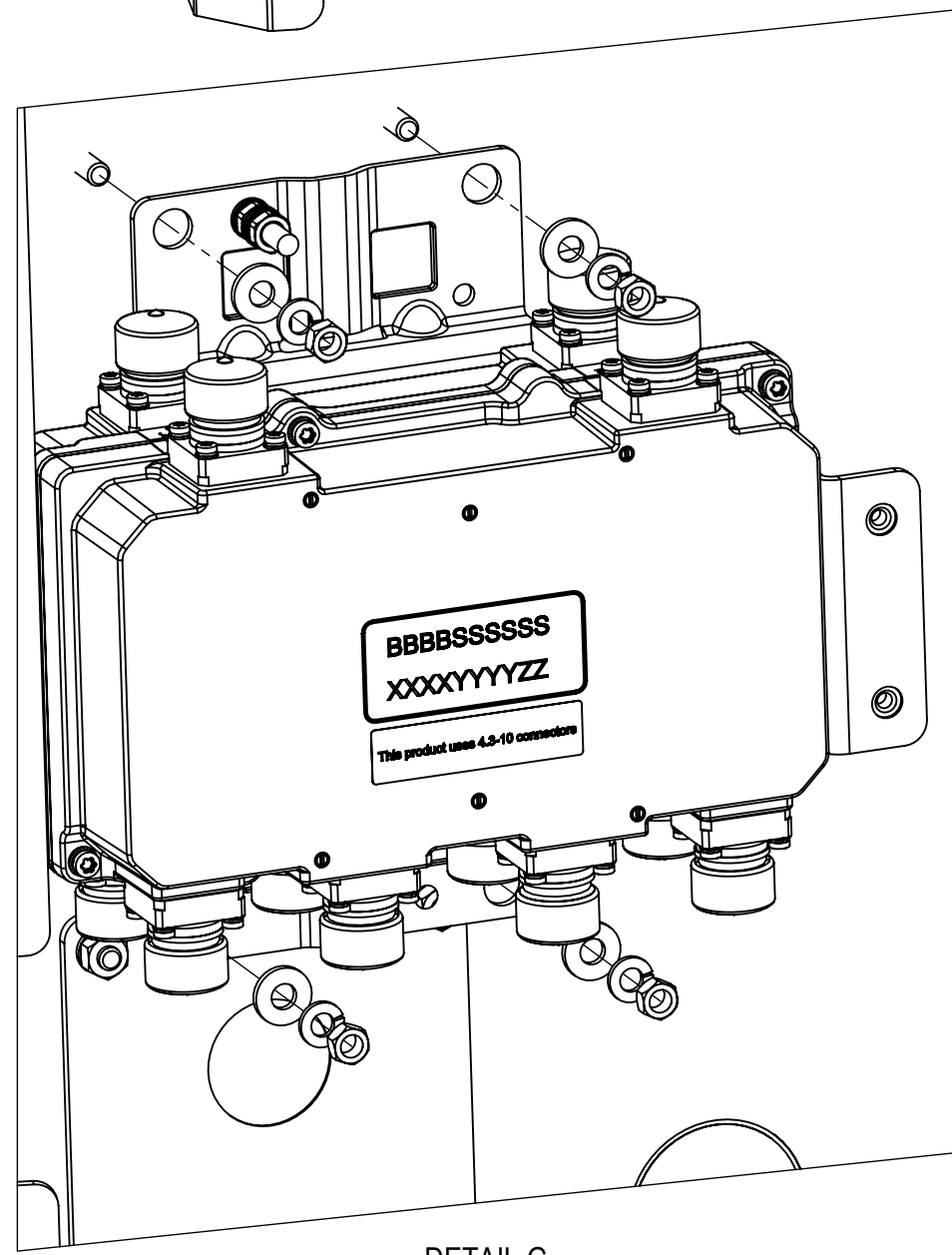
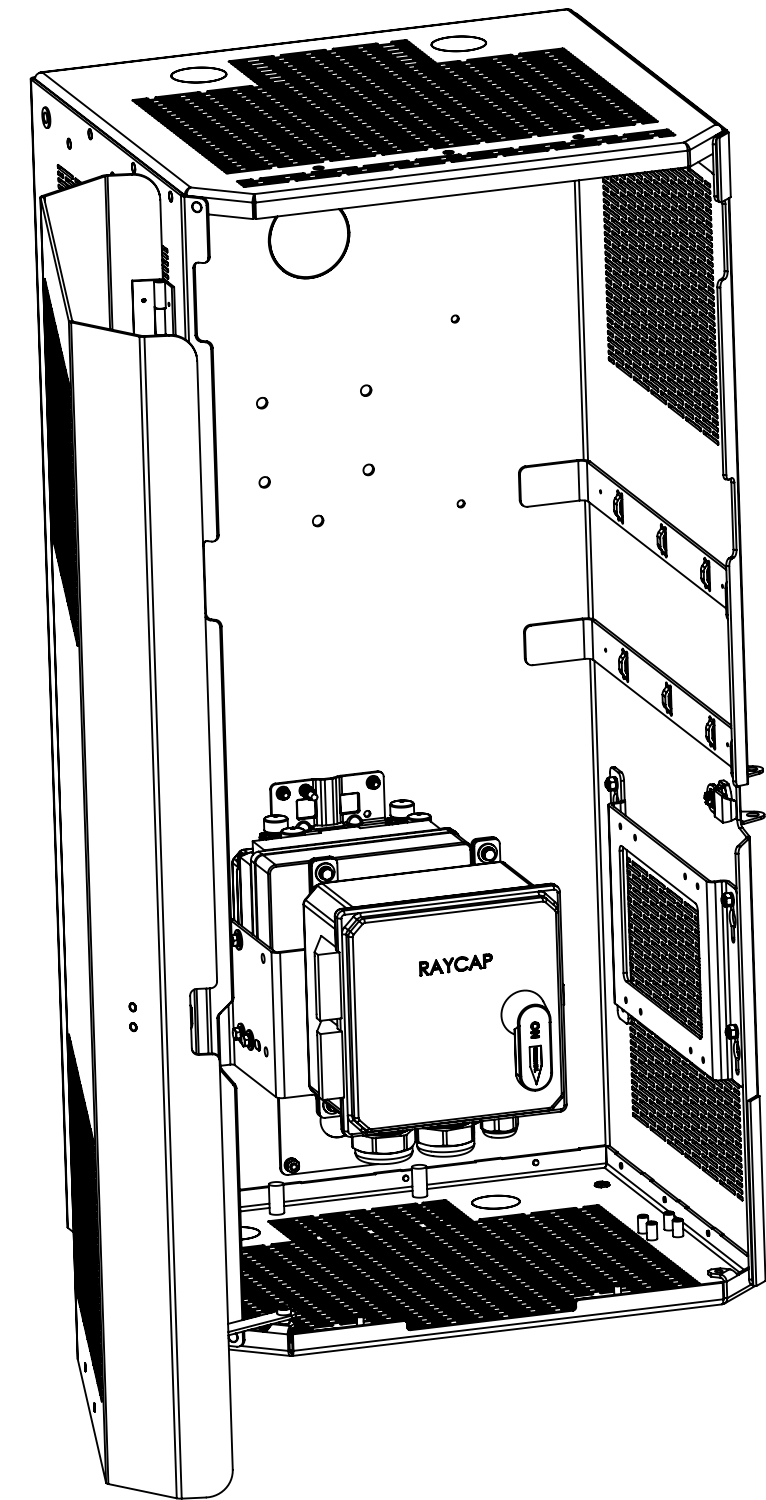
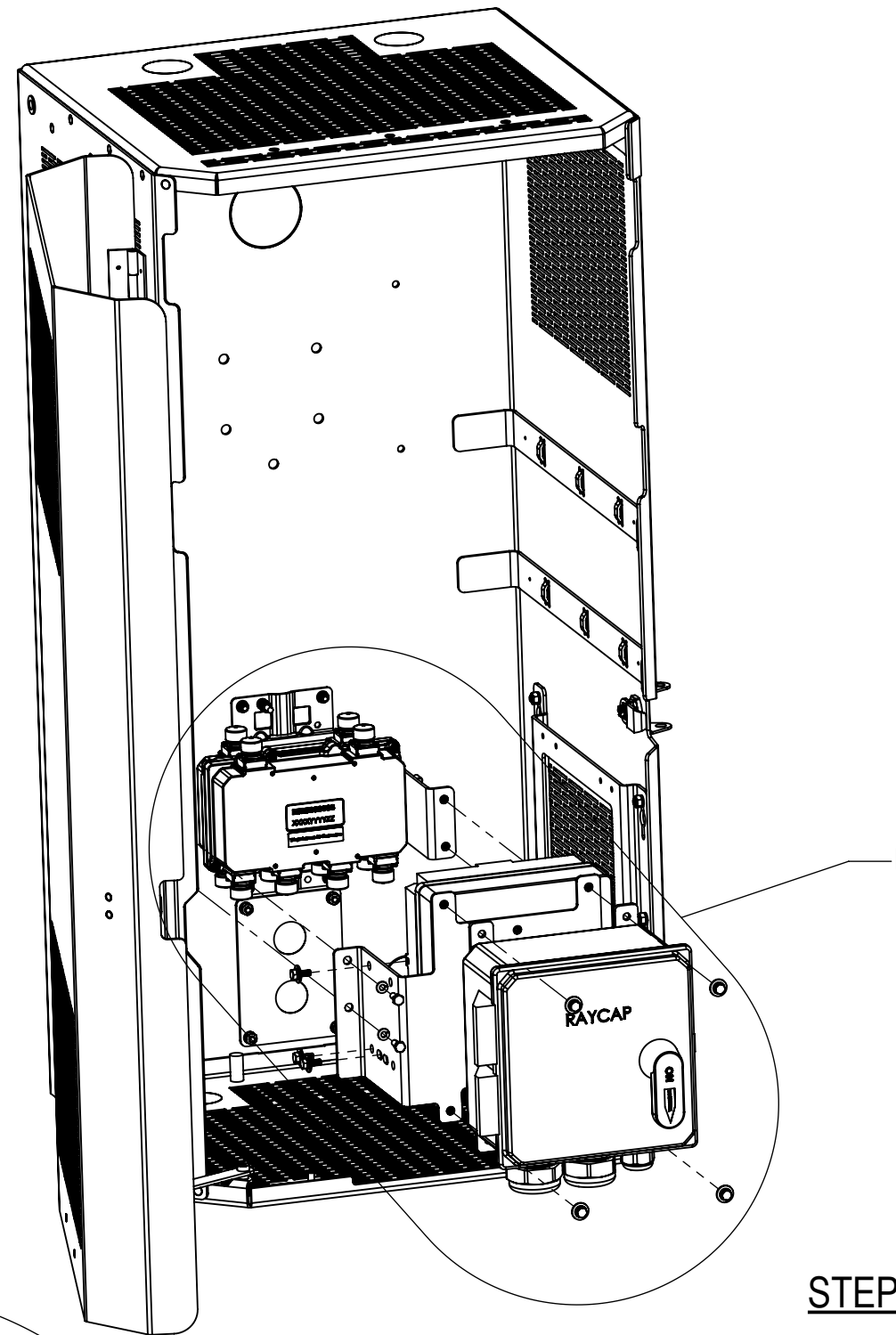
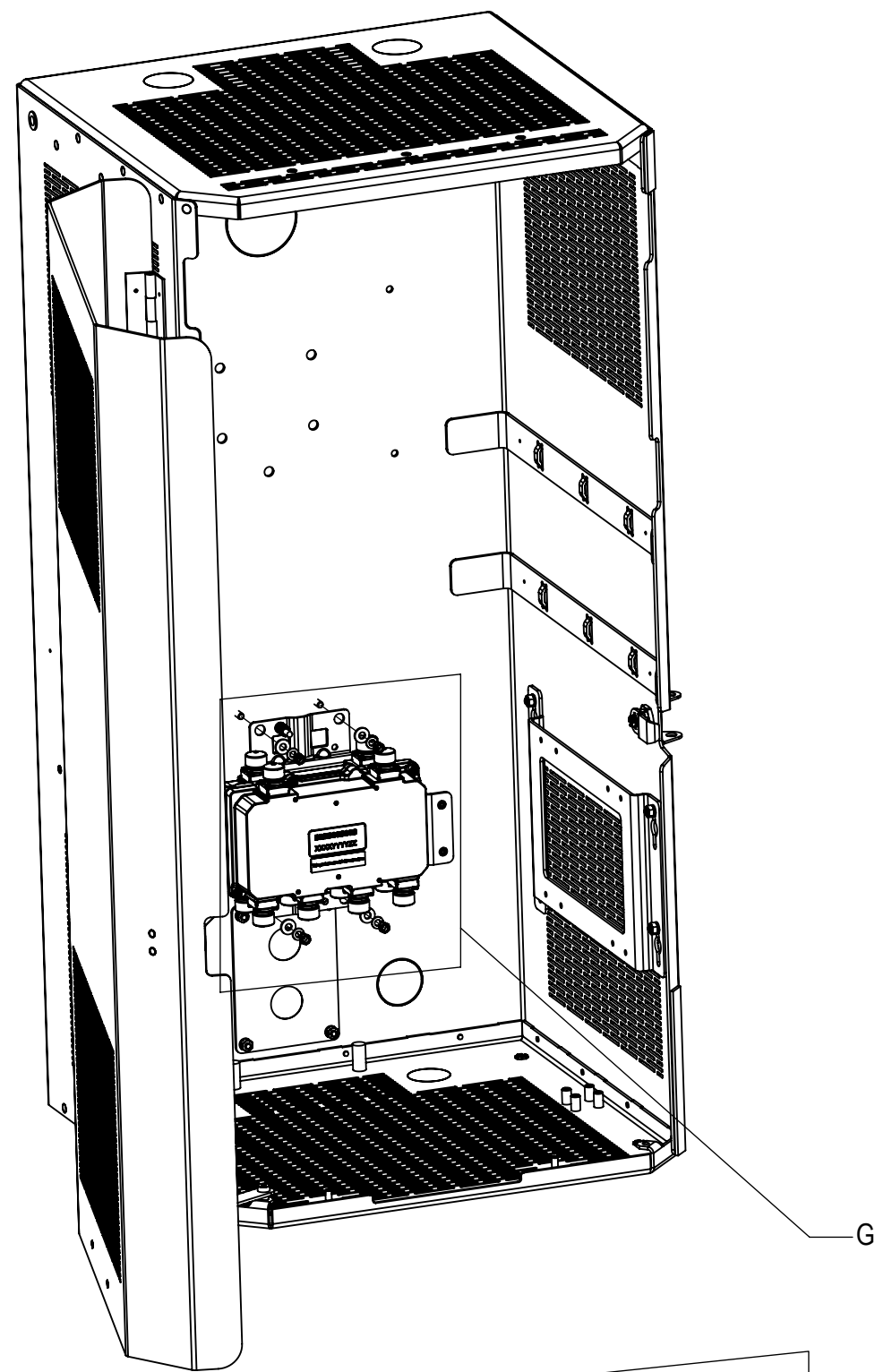
STEP 1

A) INSTALL ERC4415 RADIO TO THE LHS MOUNTING BRACKET USING 4 SETS OF M8 SCREW, LOCK WASHER AND FLAT WASHERS

B) INSTALL ERC4449 RADIO TO THE RHS MOUNTING BRACKET USING 4 SETS OF M8 SCREW, LOCK WASHER AND FLAT WASHERS

COMMSCOPE, INC. OF NORTH CAROLINA				
TITLE				
760237600E1 INSTALL				
SIZE	SCALE	DOCUMENT NO.		
C	1:6	760237600E1 INSTALL		
		DRAWING		
		VERSION	STATUS	REVISION
		08	RE	C
				SHEET
				8 OF 12

DIPLEXER, RAYCAP, ERC2205 INSTALLATION



STEP 2

A) INSTALL THE ERC2205 RADIO TO RIGHT OR LEFT SIDE OF THE COMBO BRACKET USING 3 SETS OF M6 SEM SCREWS

B) INSTALL THE RAYCAP TO THE COMBO BRACKET USING 4 SETS OF M6 SEM SCREWS.

C) INSTALL THIS SUB-ASSEMBLY TO THE ENCLOSURE USING 4 SETS OF M6 BOLTS AND LOCK WASHER

STEP 1

DETAIL G
SCALE 1:2

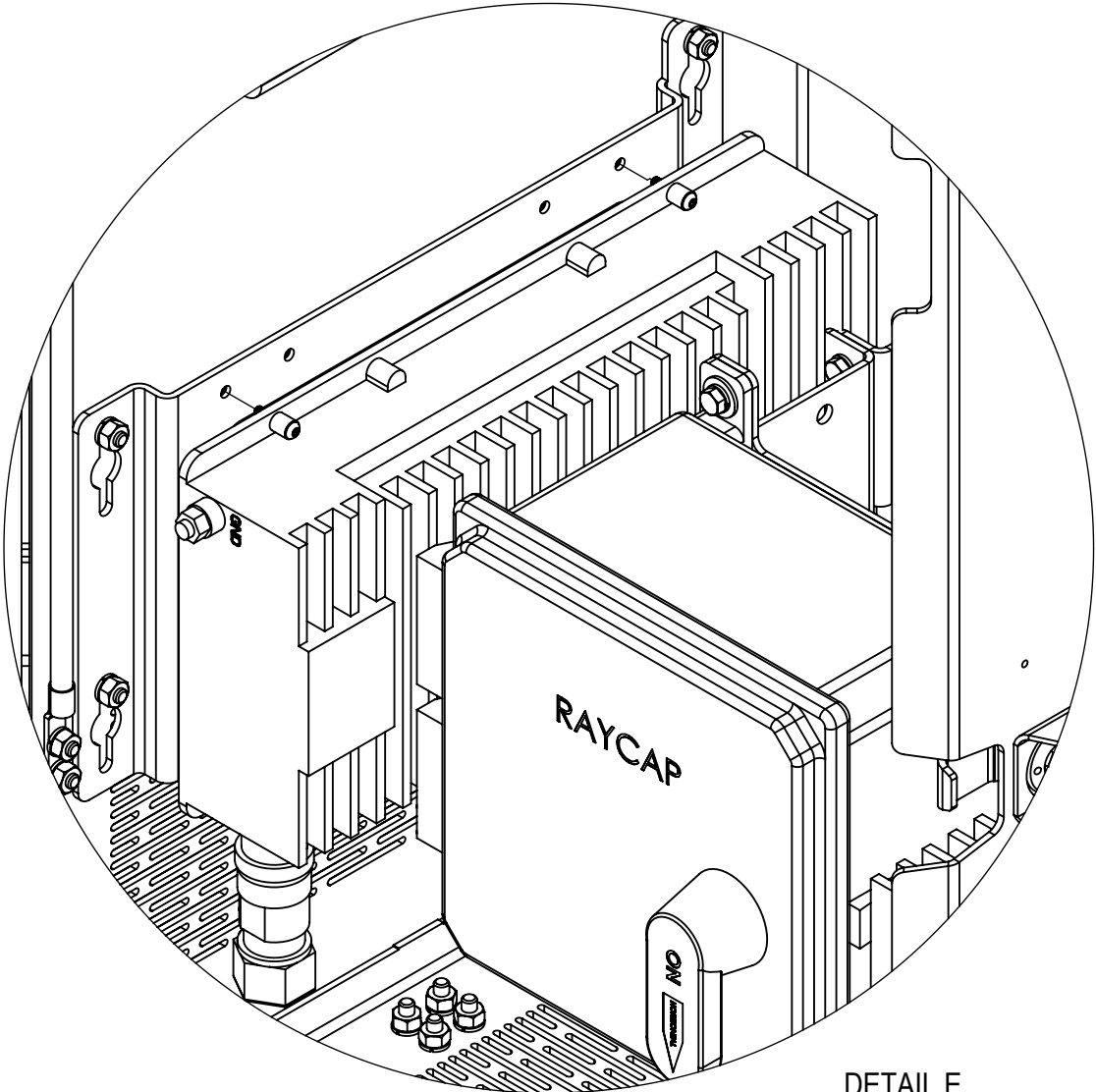
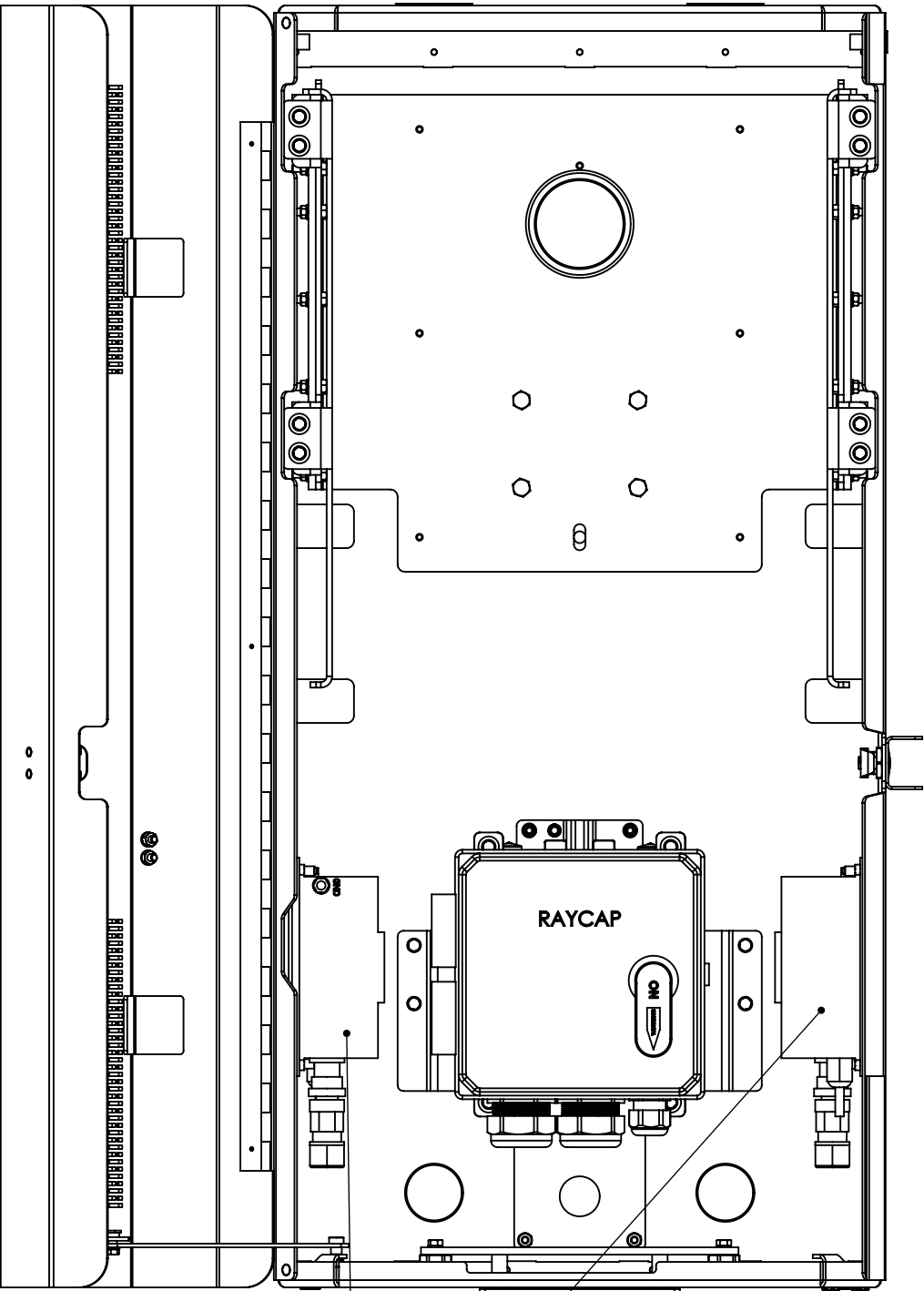
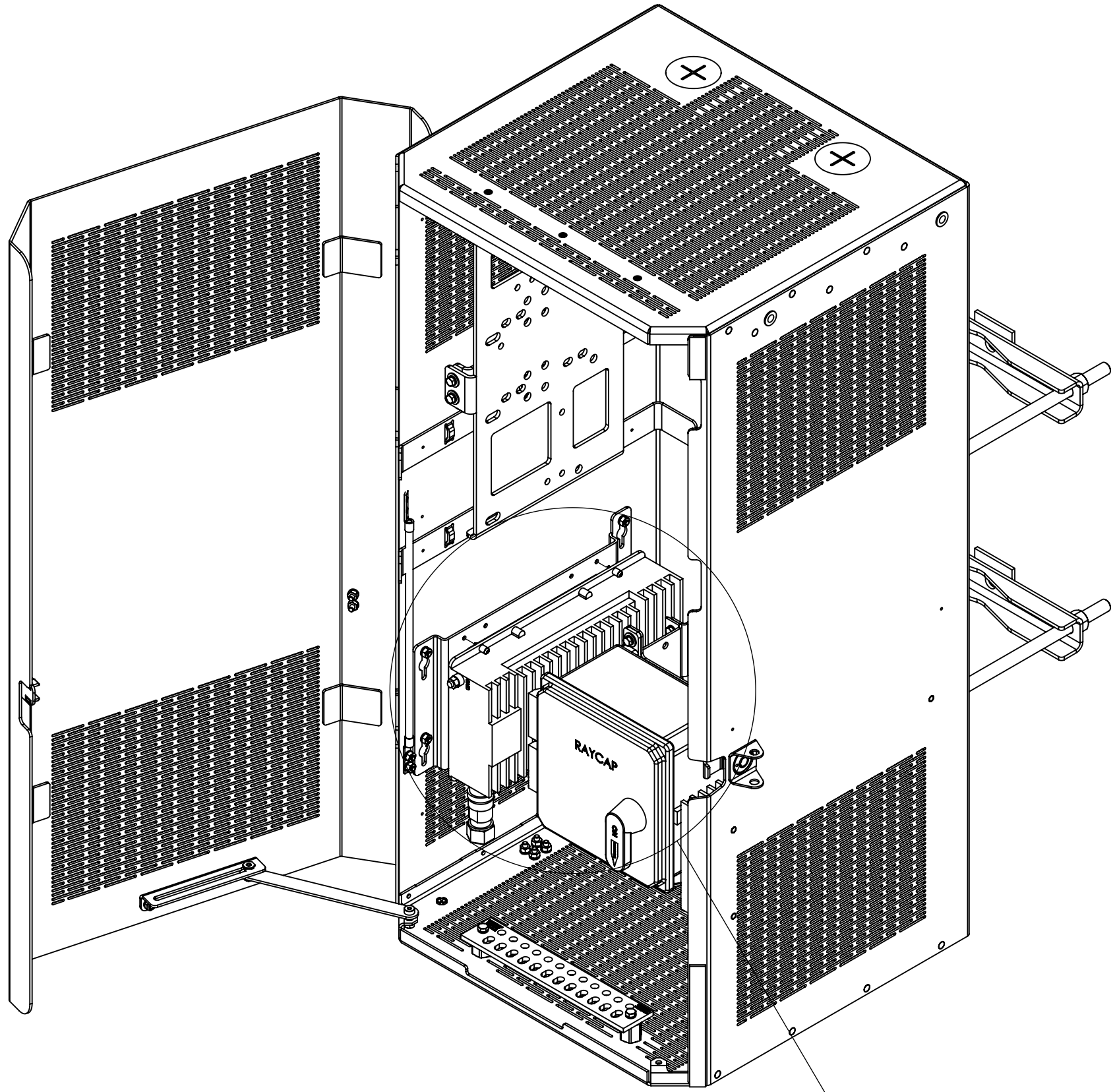
DETAIL H
SCALE 1:4

A) REMOVE THE PRE-INSTALLED COMBO BRACKET

B) INSTALL THE DIPLEXER TO THE ENCLOSURE USING 4 SETS OF 1/4" NUT, LOCK WASHER AND FLAT WASHER

COMMSCOPE, INC. OF NORTH CAROLINA				
TITLE				
760237600E1 INSTALL				
SIZE	SCALE	DOCUMENT NO.		
C	1:6	760237600E1 INSTALL		
DRAWING				SHEET
VERSION	STATUS	REVISION	9 OF 12	
08	RE	C		

PSU AC02 / AC08 INSTALLATION

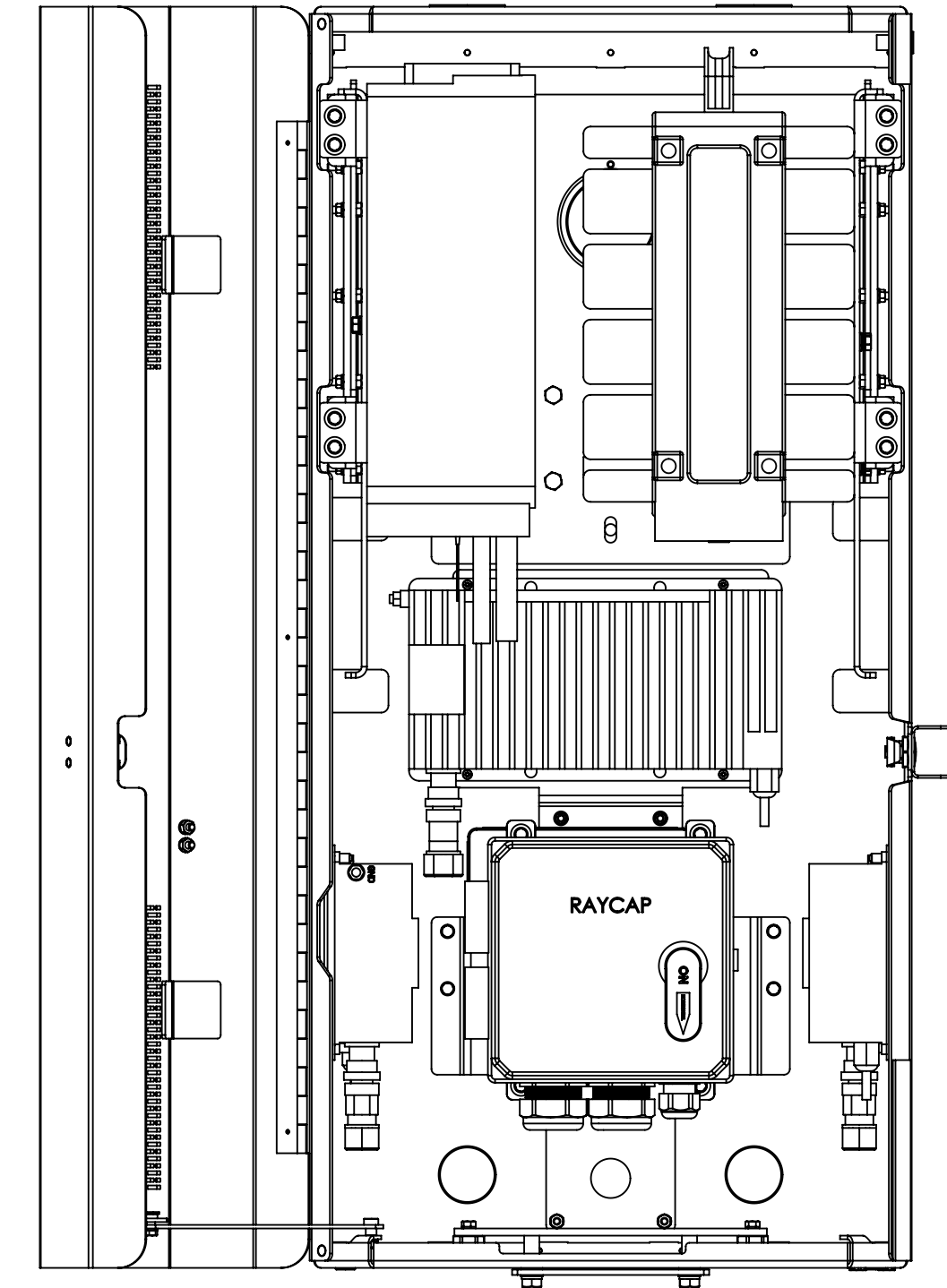
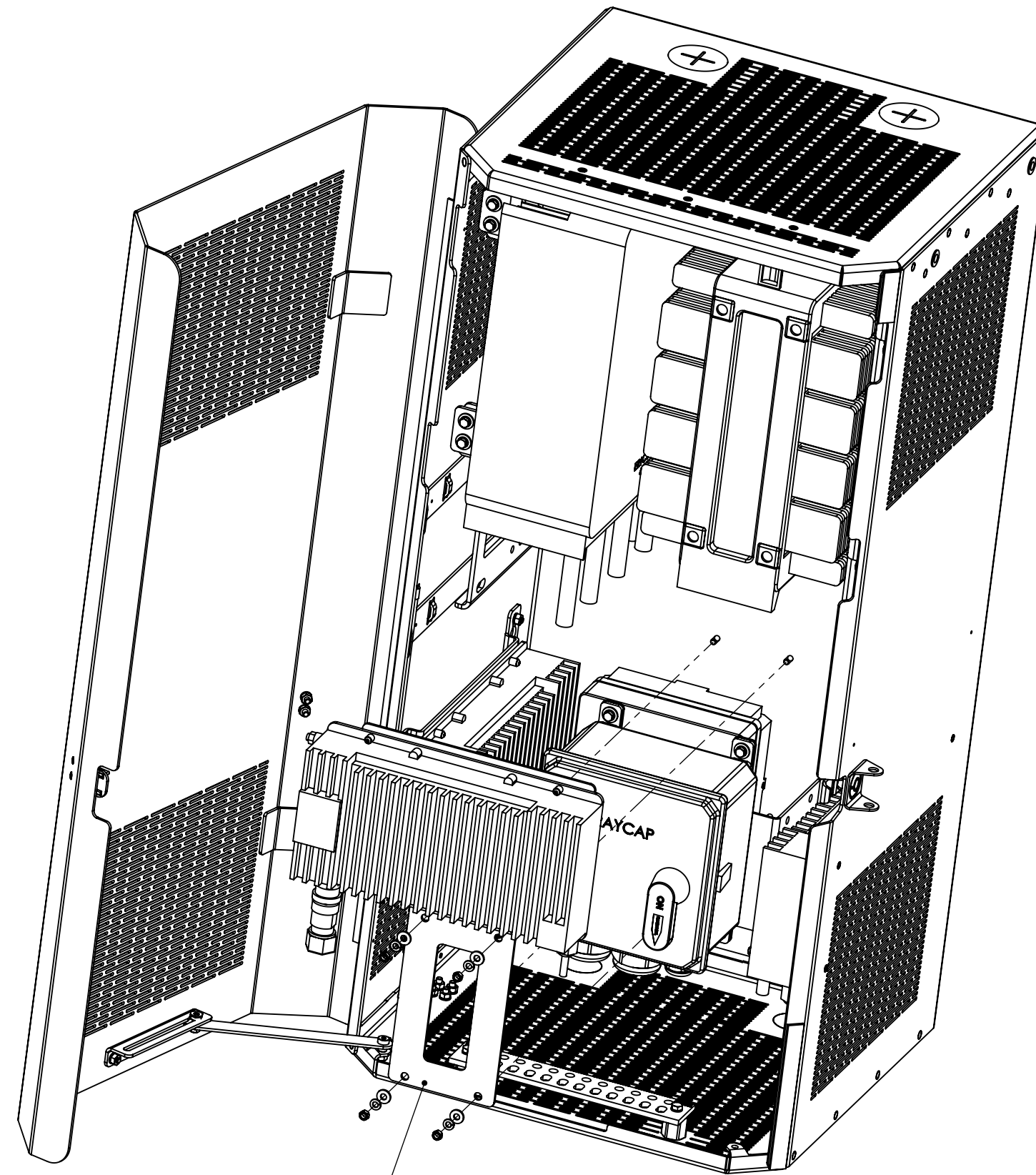
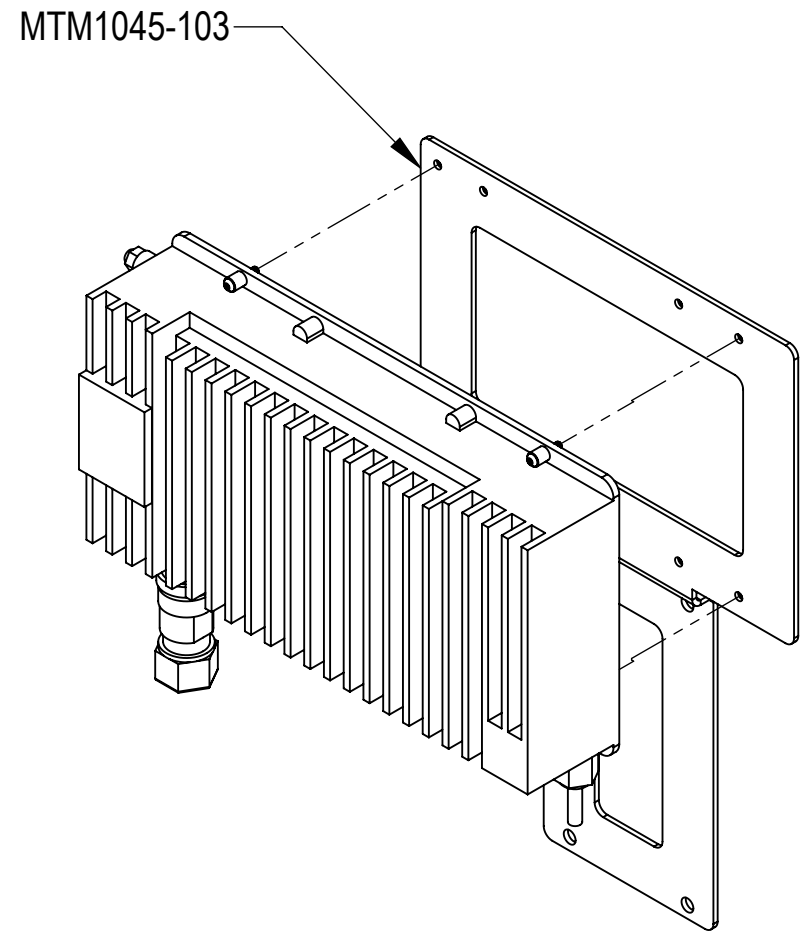


DETAIL E
SCALE 1 : 3

INSTALL THE PSU TO THE BRACKET USING M4 CAPTIVE HARDWARE PROVIDED WITH THE PSU.

COMMSCOPE, INC. OF NORTH CAROLINA				
TITLE 760237600E1 INSTALL				
SIZE C	SCALE 1:6	DOCUMENT NO. 760237600E1 INSTALL		
		DRAWING		SHEET
		VERSION 08	STATUS RE	REVISION C
				10 OF 12

PSU AC02 / AC08 INSTALLATION

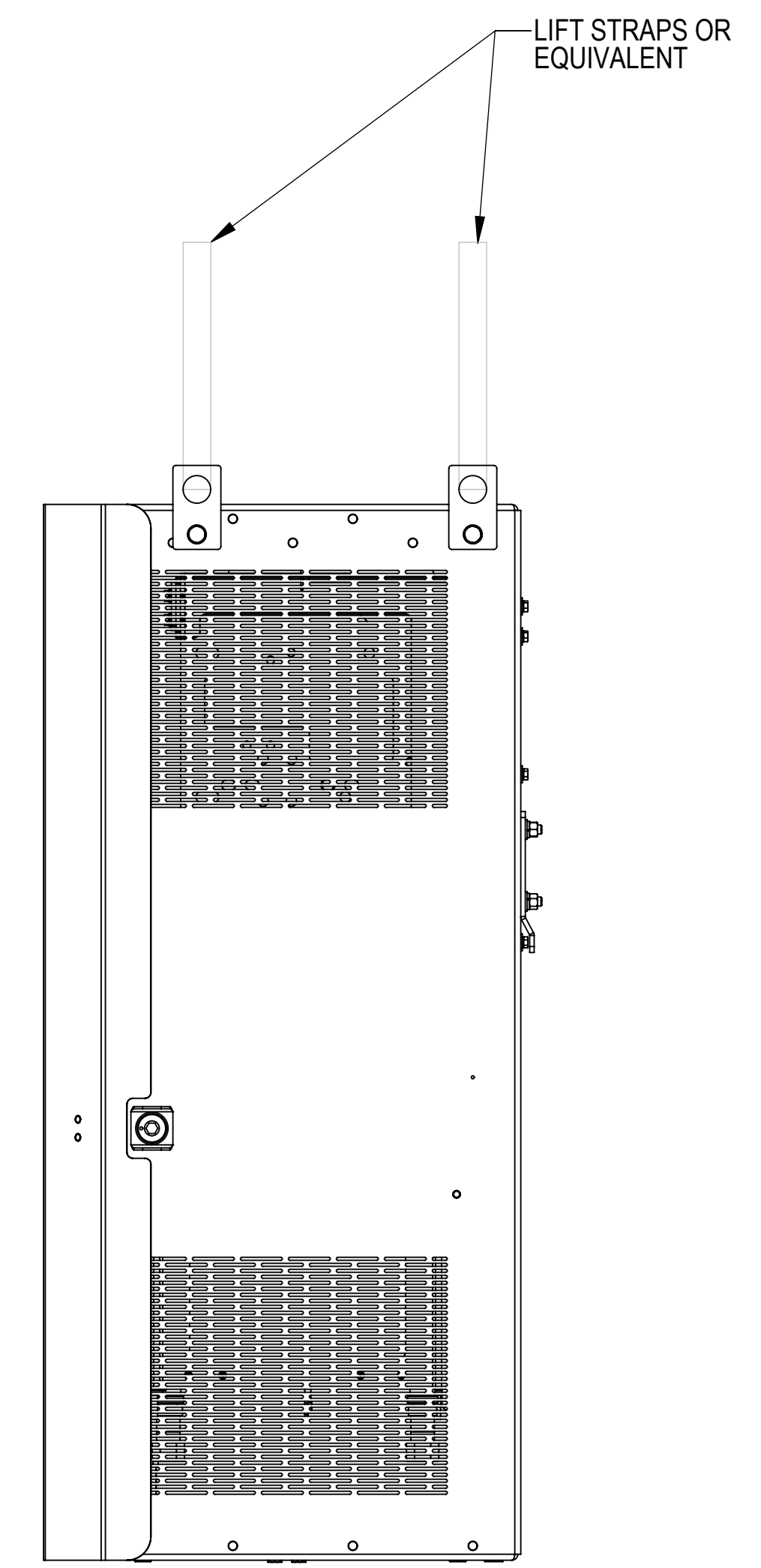
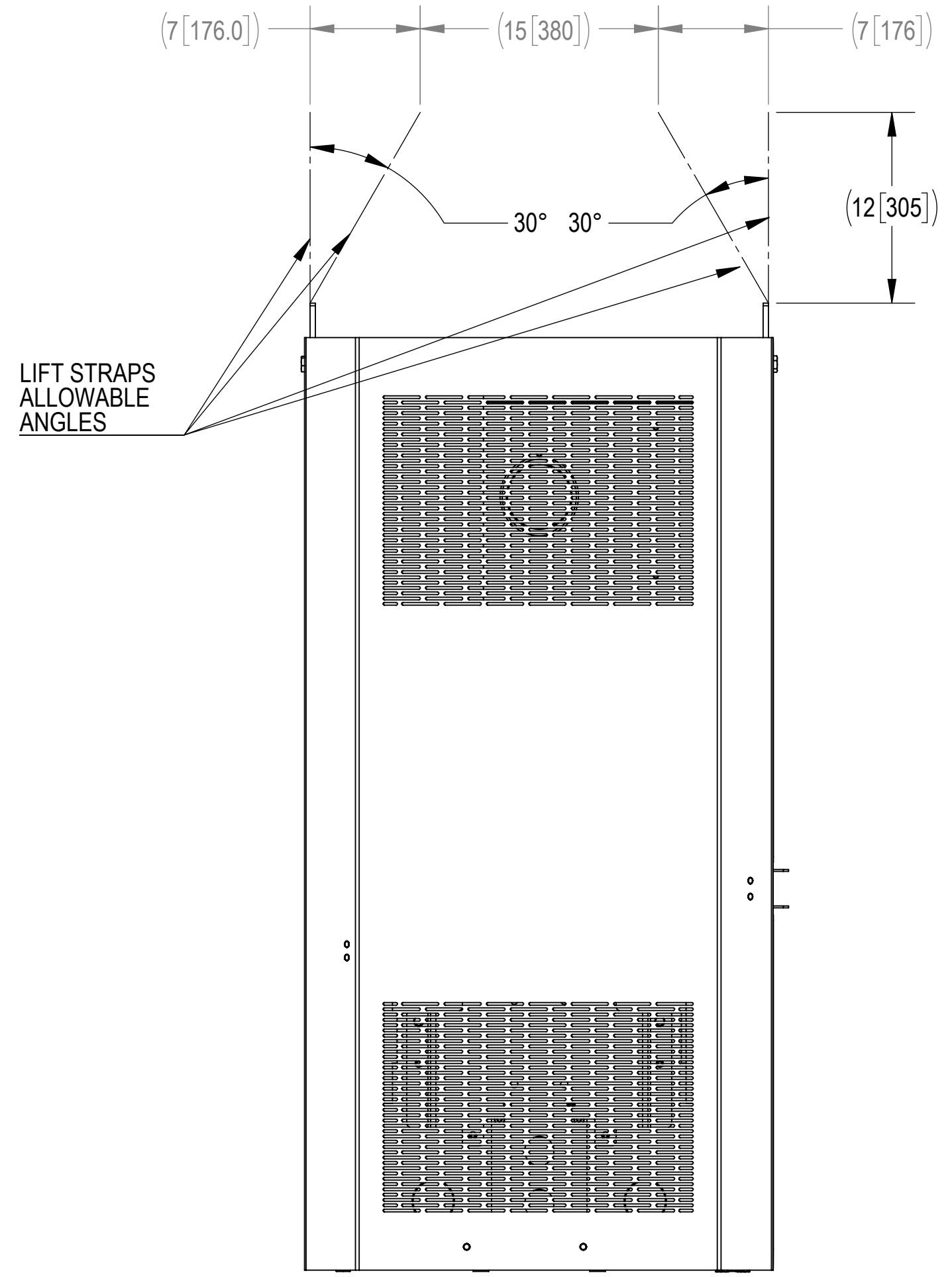
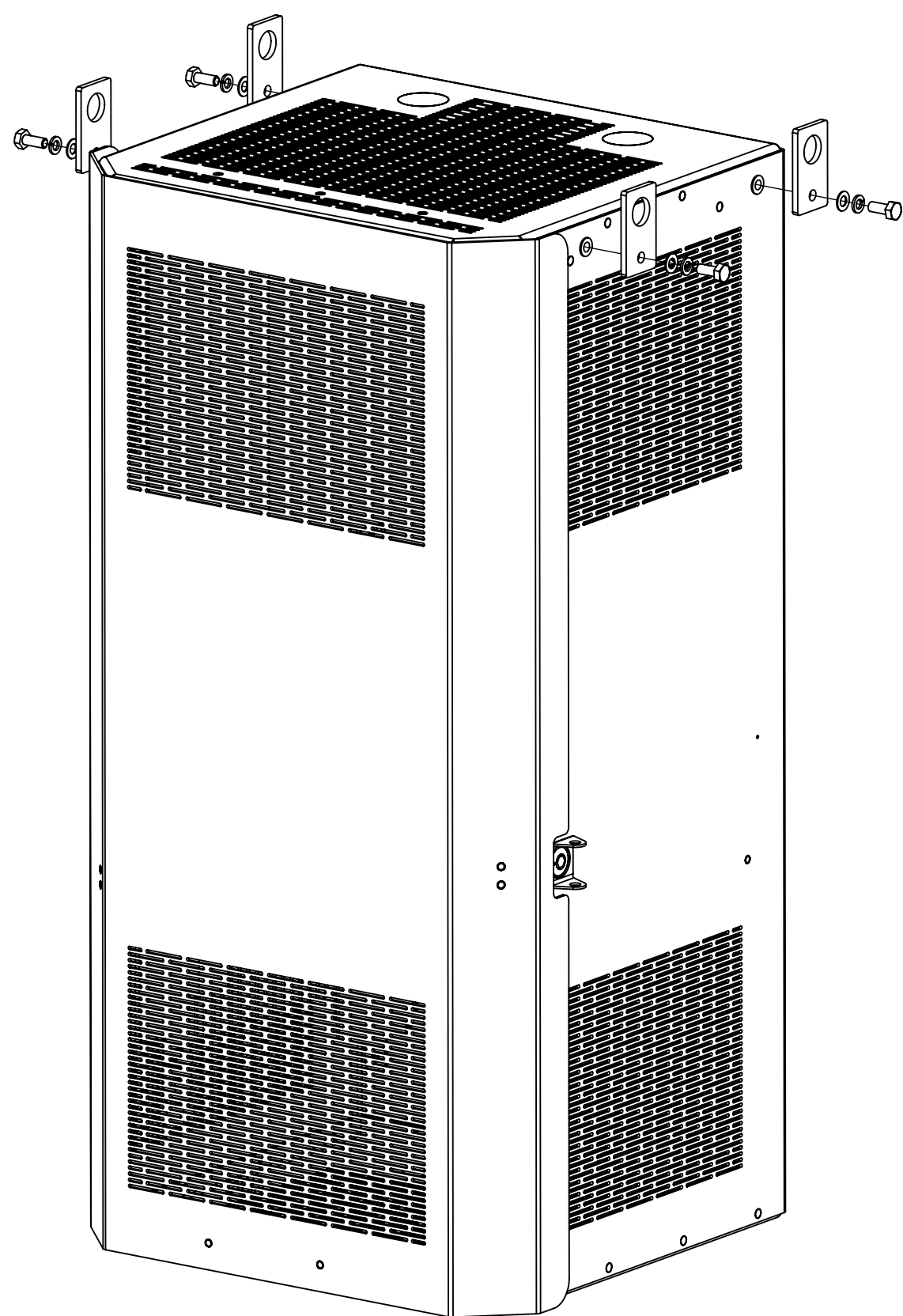


INSTALL THE PSU AC02 / AC08 TO THE BRACKET USING M4 CAPTIVE HARDWARE PROVIDED WITH THE PSU.

INSTALL THE PSU AND BRACKET SUB-ASSEMBLY USING 4X PRE-INSTALLED SET OF 1/4" NUT, LOCK AND FLAT WASHERS

COMMSCOPE, INC. OF NORTH CAROLINA				
TITLE				
760237600E1 INSTALL				
SIZE	SCALE	DOCUMENT NO.		
C	1:6	760237600E1 INSTALL		
		DRAWING		SHEET
		VERSION	STATUS	REVISION
		08	RE	C
				11 OF 12

LIFT KIT INSTALLATION



CAUTION

ENCLOSURE LIFT STRAPS OR EQUIVALENT MUST BE WITHIN 30 DEGREES OF VERTICAL AS SHOWN ABOVE

COMMSCOPE, INC. OF NORTH CAROLINA				
TITLE				
760237600E1 INSTALL				
SIZE	SCALE	DOCUMENT NO.		
C	1:8	760237600E1 INSTALL		
		DRAWING		
		VERSION	STATUS	REVISION
		08	RE	C
				SHEET
				12 OF 12