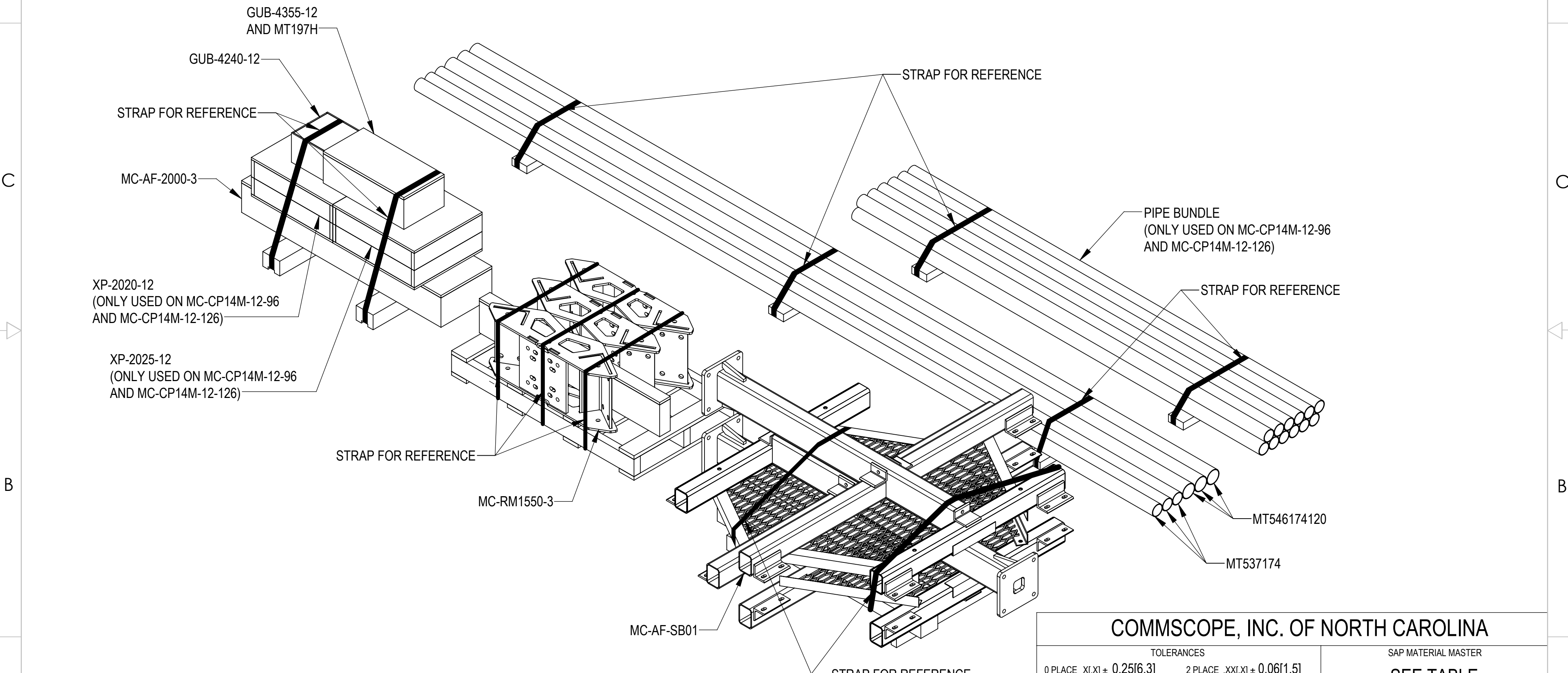


- 1.0 GENERAL NOTES
 1.1 ALL METRIC DIMENSIONS ARE IN BRACKETS [X. X]
 1.2 FOR PATENT INFO: <https://www.cs-pat.com>
- 2.0 DESIGN NOTES
 2.1 ANY HAZARDS OR OBSTRUCTIONS TO THE CLIMBING FACILITY AND SAFETY CLIMB MUST BE IDENTIFIED PRIOR TO INSTALLING THE APPURTENANCE. ADDITIONAL PRODUCTS MAY BE REQUIRED TO MAINTAIN THE INTEGRITY OF THE SAFETY CLIMB. DURING INSTALLATION, TEMPORARY AND/OR PERMANENT PRECAUTIONARY MEASURES SHOULD BE TAKEN TO PRESERVE THE CLIMBING FACILITY AND/OR SAFETY CLIMB.
 2.2 FITS MONOPOLES 15"-50" O.D.
- 3.0 MANUFACTURING/SPECIAL REQUIREMENTS
 3.1 TIGHTEN ALL BOLTS SECURING FLAT PLATES BY THE TURN-OF-NUT METHOD. TIGHTEN ALL U-BOLTS USING TURN-OF-NUT METHOD WITH ATTENTION TO LEAVE EQUAL DISTANCE AND EQUAL FORCE ON EACH LEG OF THE U-BOLT.
- 4.0 TEST
- 5.0 PACKAGING
 5.1 PACKAGING SHALL MEET COMMSCOPE REQUIREMENTS PER DOCUMENT IS-PL-3005
 5.2 PRINTED DOCUMENT TO BE PLACED INSIDE POLYBAG AND THEN IN SHIPPING CONTAINER
 5.3 EXTRA HARDWARE MAYBE SUPPLIED, BAGGED AND SHIPPED

REVISIONS			
REV.	DESCRIPTION	DATE	APPROVD
A	INITIAL RELEASE	DRR 26AUG16	8000015873
B	UPDATED BOM OF MCCPMHK	DRR 12DEC16	8000018293
C	UPDATED BOM OF MCCPMHK	DRR 21FEB17	8000020400
D	UPDATED NOSE WELDMENT AND PIPE BRACKET	MRC 12MAY20	8000039693
E	REPLACED XAU01 WITH XPU01, UPDATED GUB-4240 QTY TO 60	LL1090 01NOV21	40137280CMO
F	UPDATED BOM STRUCTURE. MC-AF-1100-00 WAS MCPK14M01; MC-AF-2000-00 WAS MT19525; MT546174120 WAS MT-547-174	JL1183 10NOV22	BA1025 40160588CMO



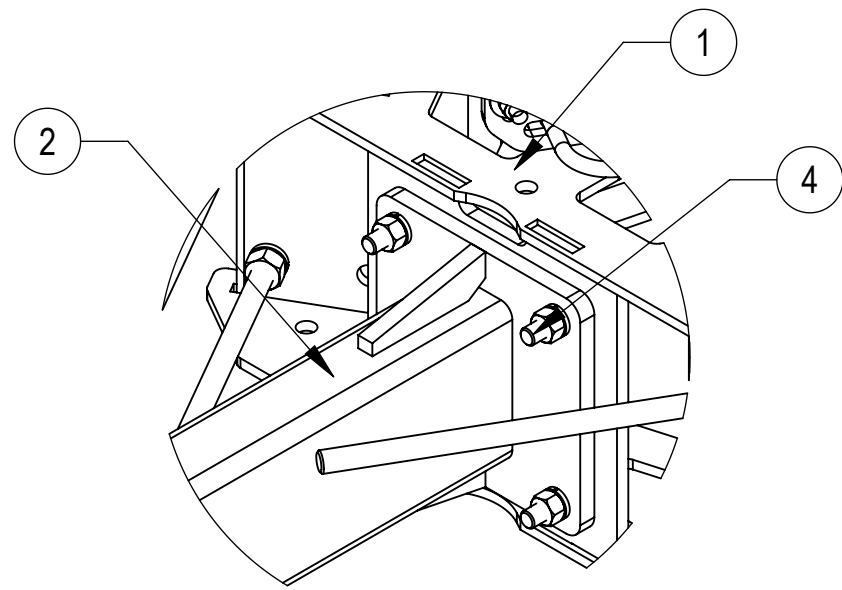
PART NO.	DESCRIPTION	PIPE BUNDLE
MC-CP14M-B	LOW PROFILE PLATFORM 15"-50"	-
MC-CP14M-12-96	LOW PROFILE PLATFORM 15"-50" 12 96 PIPE	MT-651-96
MC-CP14M-12-126	LOW PROFILE PLATFORM 15"-50" 12 126 PIPE	MT-537

COMMSCOPE, INC. OF NORTH CAROLINA

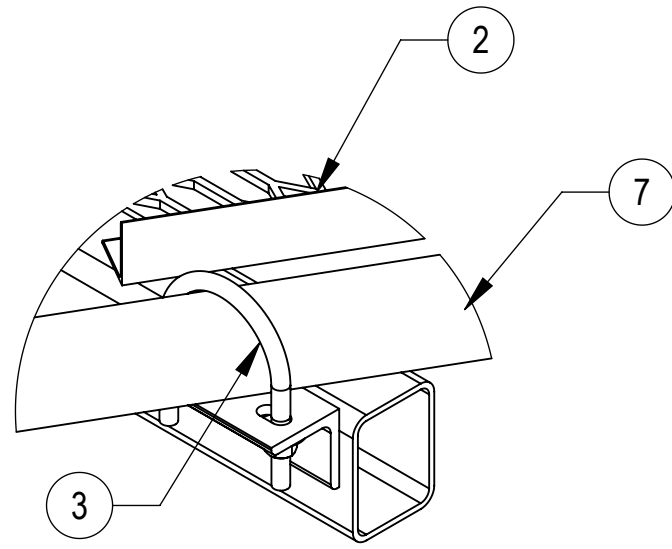
TOLERANCES		SAP MATERIAL MASTER	
0 PLACE X[X] ± 0.25[6.3]	2 PLACE .XX[X] ± 0.06[1.5]	SEE TABLE	
1 PLACE .X[X] ± 0.12[3.0]	ANGLES ± 2°		
FINISH		MATERIAL	

UNLESS OTHERWISE SPECIFIED DIMENSIONS ARE IN INCHES INTERPRET PER ANSI Y 14.5M-1994	NAME	DATE	TITLE
	CE DRR	03/28/16	14' FACE LOW PROFILE PLATFORM ASSEMBLY
	RW JL1183	02/13/2023	
	AD CB1094	02/13/2023	
	RE JL1183	02/14/2023	
ECN 40160588CMO			SCALE DOCUMENT NO.
			1:32 MC-CP14M SERIES
SIZE	WORK AREA	INSL	MODEL
C			VERSION STATUS REVISION
			03 RE F
		DRAWING	
		VERSION STATUS REVISION	SHEET
		05 RE F	2 OF 3

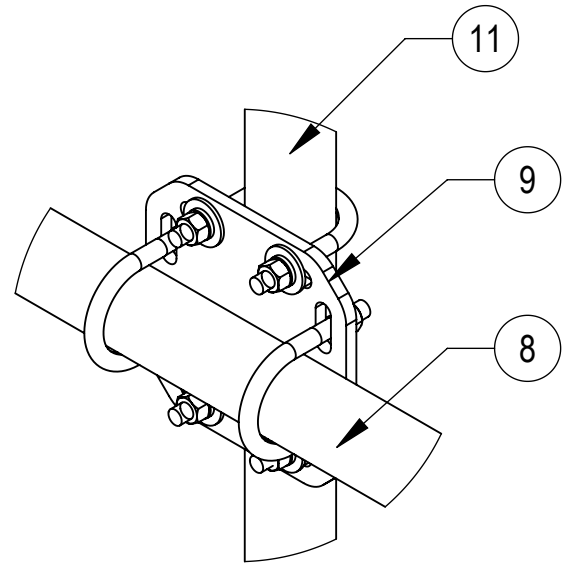
DENSITY	lbs/in ³
MASS	lbs
VOLUME	in ³
SURFACE AREA	in ²
HEIGHT	
LENGTH	
WIDTH	



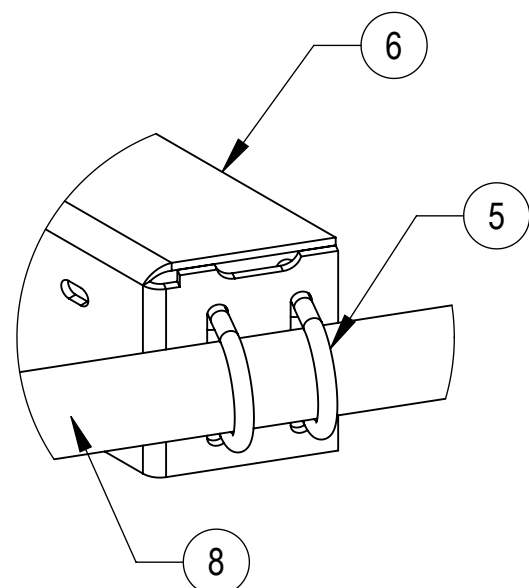
DETAIL A
SCALE 1 : 6



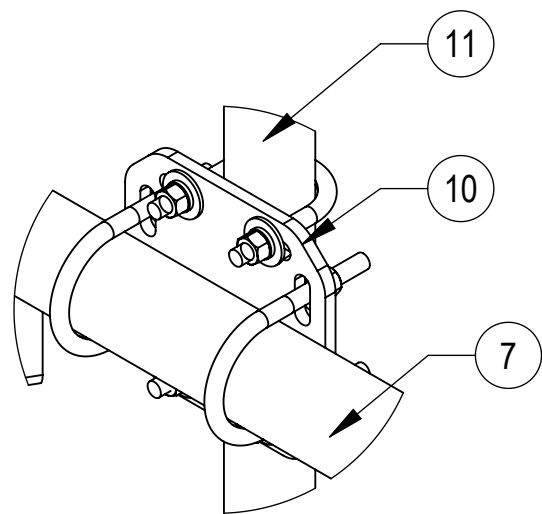
DETAIL B
SCALE 1 : 5



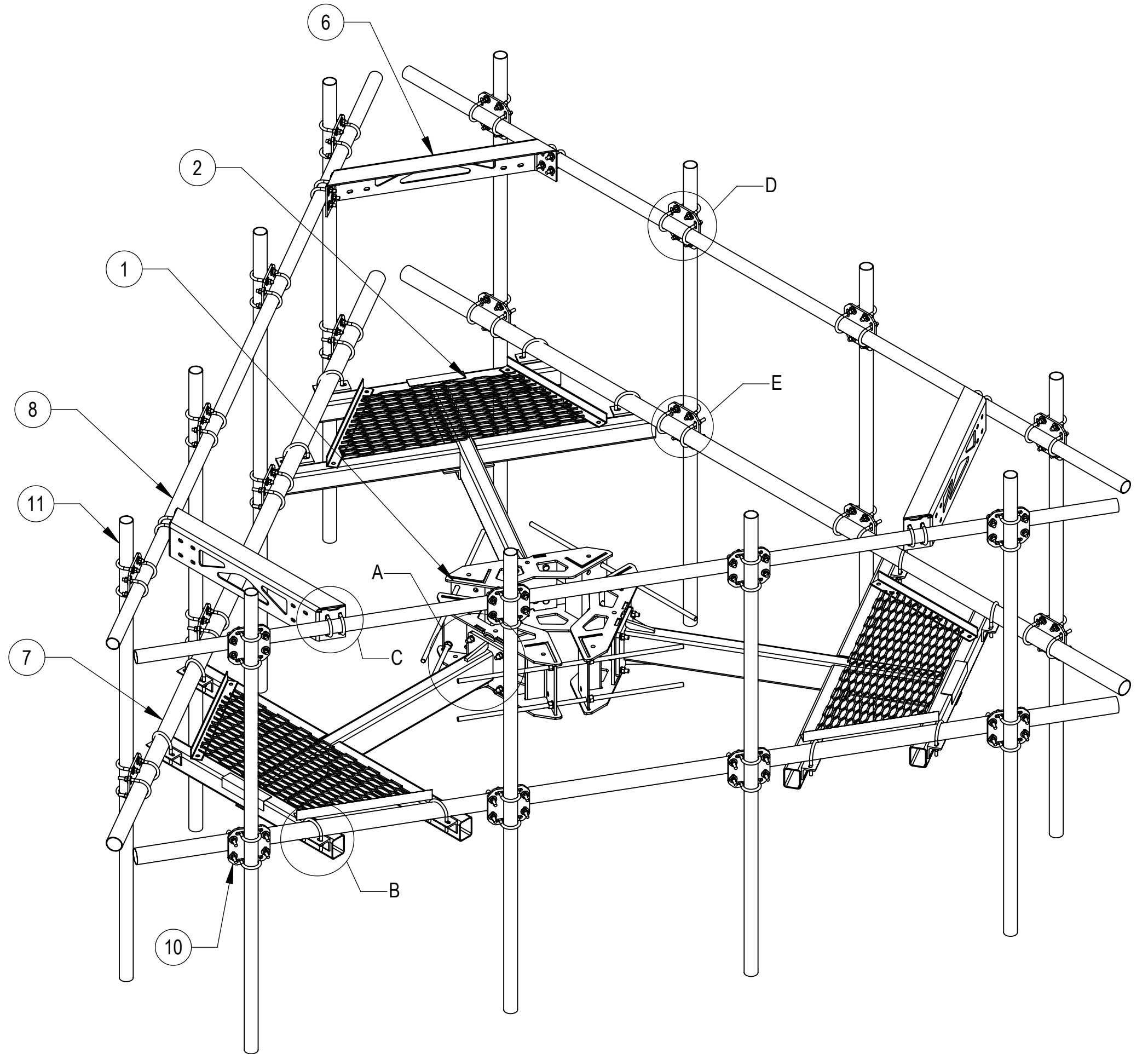
DETAIL D
SCALE 1 : 5



DETAIL C
SCALE 1 : 5



DETAIL E
SCALE 1 : 5



MC-CP14M-12-96 SHOWN FOR REFERENCE
(NOT ALL CONFIGURATIONS INCLUDE ALL ITEMS,
SEE NOTES IN TABLE)

COMPONENT PART NUMBERS PROVIDED FOR ASSEMBLY PURPOSES;
INDIVIDUAL COMPONENTS MAY BE SHIPPED AS PARTS WITHIN AN INCLUDED KIT.

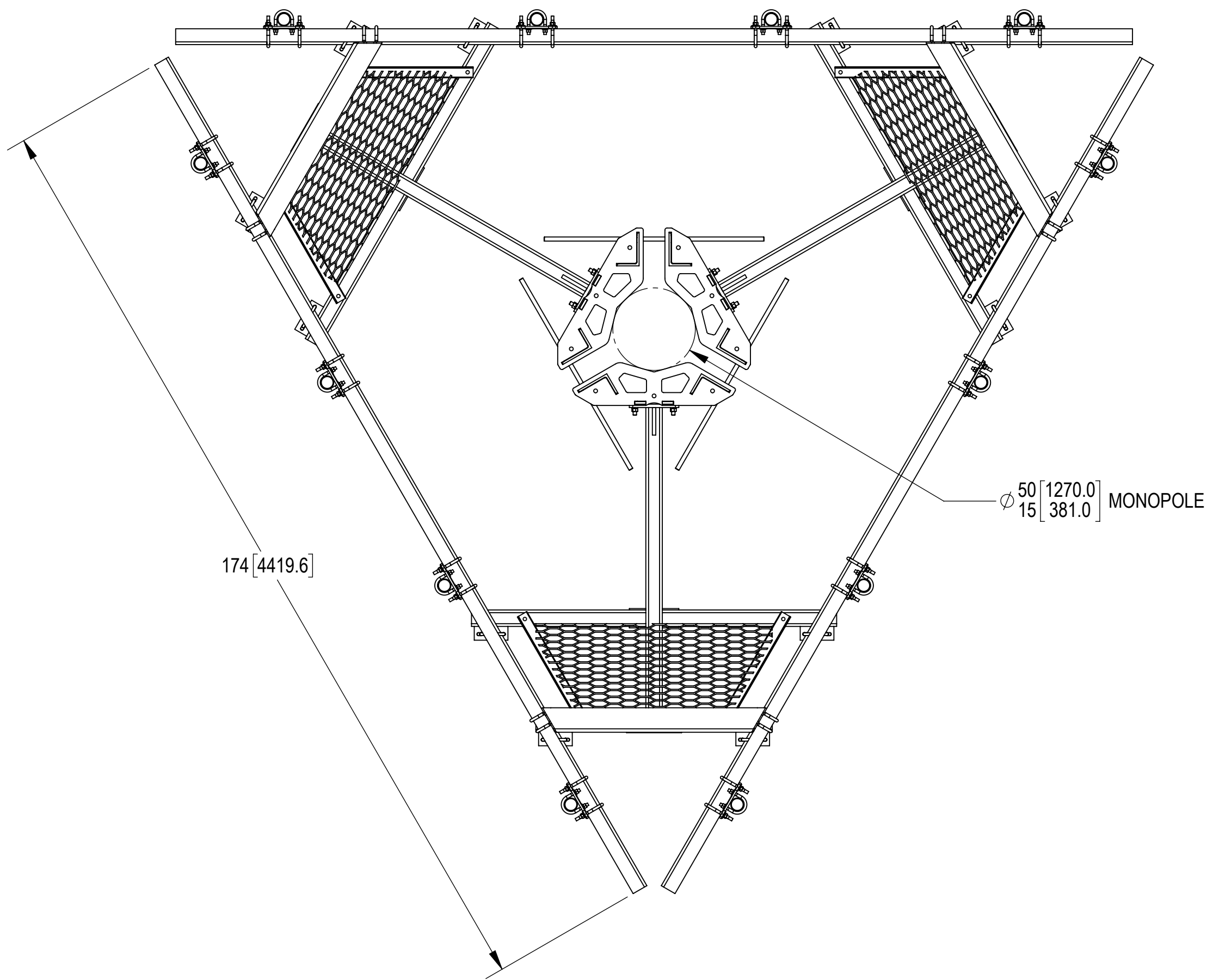


ITEM NO.	PART NUMBER	DESCRIPTION	QTY.	NOTE NO.
1	MC-RM1550-3	15" - 50" OD RINGMOUNT	1	
2	MC-AF-1100-00	WELDMENT, CO-LOCATION PLATFORM	3	
3	GUB-4355	1/2" X 3-5/8" X 5" GALV U-BOLT	12	
4	GB-0524A	5/8" X 2-1/2" GALV BOLT KIT (A325)	12	
5	GUB-4240	1/2" X 2-1/2" X 4" GALV U-BOLT	12	
6	MC-AF-2000-00	CONNER WELDMEMT, HANDRAIL	3	
7	MT546174120	2.88" OD X 174" LONG PIPE	3	
8	MT537174	Ø 2.375" OD X 174" PIPE	3	
9	XP-2020	CROSSOVER PLATE KIT, 2-3/8 OD X 2-3/8 OD	12	NO FOR MC-CP14M-B
10	XP-2025	CROSSOVER PLATE KIT, 2-3/8 OD X 2-7/8 OD	12	NO FOR MC-CP14M-B
11	MT-651-96	2.375" OD X 96" PIPE	12	SEE TABLE 1

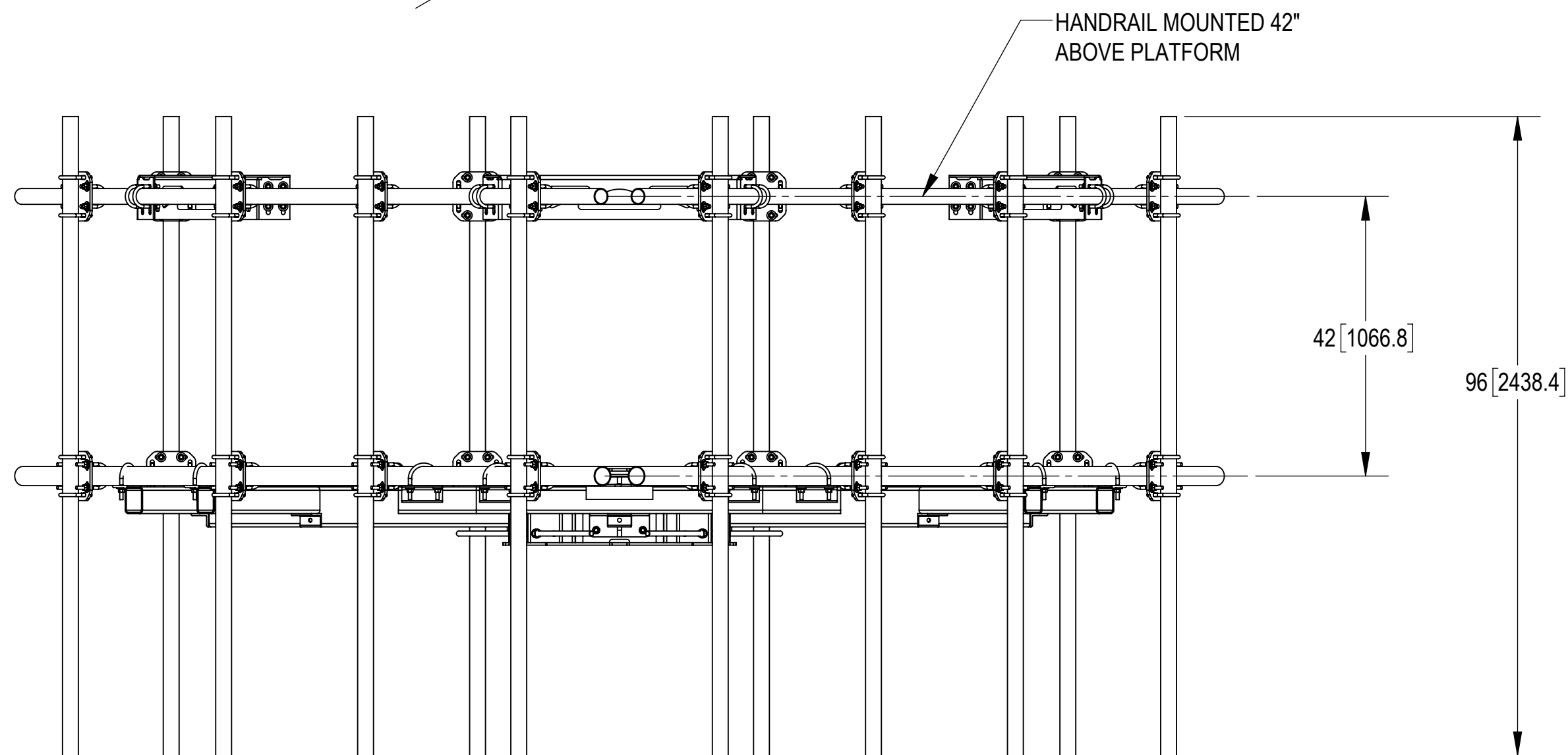
TABLE 1

PART NO.	ANTENNA PIPE
MC-CP14M-B	-
MC-CP14M-12-96	MT-651-96
MC-CP14M-12-126	MT-537

COMMSCOPE, INC. OF NORTH CAROLINA			
TITLE 14' FACE LOW PROFILE PLATFORM ASSEMBLY			
SIZE C	SCALE 1:32	DOCUMENT NO. MC-CP14M SERIES	
DRAWING		VERSION	STATUS
REVISION		05	RE
SHEET		REVISION	F
2 OF 3			



MC-CP14M-12-96 SHOWN FOR REFERENCE
 (NOT ALL CONFIGURATIONS INCLUDE ALL ITEMS,
 SEE NOTES IN TABLE)



COMMSCOPE, INC. OF NORTH CAROLINA				
TITLE 14' FACE LOW PROFILE PLATFORM ASSEMBLY				
SIZE C	SCALE 1:32	DOCUMENT NO. MC-CP14M SERIES		
		DRAWING		SHEET
		VERSION	STATUS	REVISION
		05	RE	F
				3 OF 3

4

3

2

1

D

D

C

C

B

B

A

A

4

3

2

1