



FOSC® 450 D6 Fiber Optic Splice Closure, Gel Cable sealing, no pre-installed tray, 6 cable attach., three ground feedthrough lugs, with test valve, FID for Power Termination and Network Power Distribution

- Single-ended, O-ring sealed dome closure for splicing feeder and distribution cables
- Gel cable sealing technology allows easy adding or removing of a wide size range of cables
- Compatible with most common cable types: e.g. loose tube, central core, ribbon fiber
- FOSC splice trays hinged for access to any splice without disturbing other trays
- Closure can be used in aerial, pedestal and underground (up to 5 meters) environments
- Compatible with CommScope's CWDM modules and optical splitter trays
- Fault Isolation Device (FID) for power termination and Fault Managed Power safety

Product Classification

Regional Availability	Latin America North America
Product Type	Single-ended, round fiber closure
Product Brand	PowerShift Metro®
Product Series	FOSC 450

General Specifications

Cable Entry Drop Port Style	Round
Cable Entry Main Port Style	Round
Cable Ports Quantity, total	6 round ports
Cable Sealing Type	Compressed gel
Closure Sealing Type	Dome-to-base clamp with O-ring
Closure Style	Single-ended
Color	Black
Fiber Storage Basket Type	No basket
Flash Test Valve	Pre-installed
Ground Feed-through	Included
Mounting	Pole Strand Wall

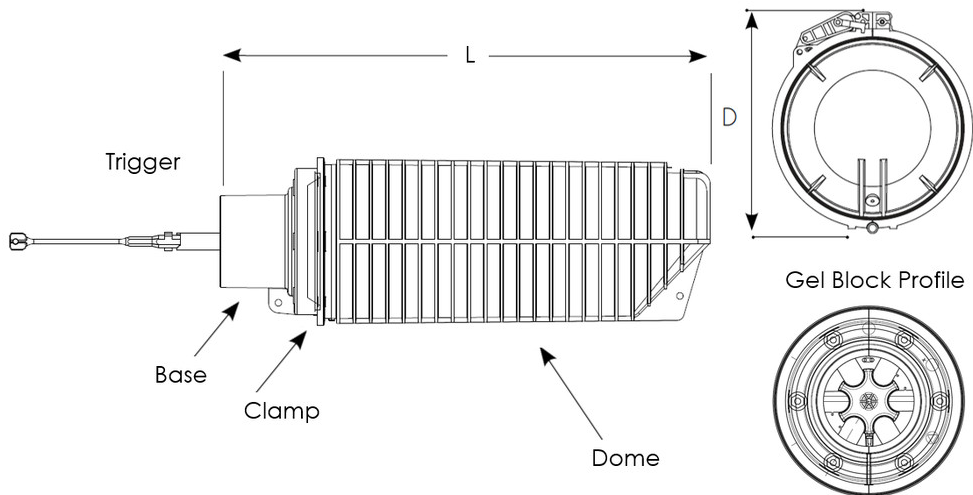
760248797 | FOSC450-D6-6-R4-2-N3V-PWR

Network Area Type	Feeder
Splice Tray Included, quantity	0
Splice Tray Type Included	No trays
Splicing Capacity, Mass Fusion, maximum	576
Splicing Capacity, Single Fusion, maximum	288
Splicing Capacity, Single Splice, 12 fibers, maximum	288
Splicing Capacity, Single Splice, 6 fibers, maximum	288
Splicing Type, Supported	Mass fusion Single fusion

Dimensions

Length	753 mm 29.646 in
Diameter	254 mm 10 in
Diameter, with clamp	292 mm 11.496 in
Main Cable Diameter, maximum	25 mm 0.984 in

Dimension Drawing



Electrical Specifications

Input Current, maximum	25
Input Voltage Range	± 190 Vdc (± 125 Vdc to ± 200 Vdc)
Output Current, maximum	25

760248797 | FOSC450-D6-6-R4-2-N3V-PWR

Output Voltage Range	±190 Vdc (± 125 Vdc to ± 200 Vdc)
Communications Speed	600 ms, based on energy reserve for Vin = ± 190V
Efficiency at Voltage	> 99.5% @ ± 190 V and 25 A total current
Operating Voltage Range	± 75 Vdc to ± 200 Vdc
Voltage	± 190 Vdc (380 Vdc with middle point)
Voltage, startup	± 25 Vdc to ±30 Vdc

Ordering Tree

FOSC 450 - XX - X - XX - X - X X X

Closure Size (inches)

A4	4 cable entry ports; 8 dia. x 19 long
BS	6 cable entry ports; 9 dia. x 19.5 long
B6	6 cable entry ports; 10 dia. x 24 long
C6	6 cable entry ports; 11.5 dia. x 23 long
D6	6 cable entry ports; 11.5 dia. x 30 long

Termination Hardware Quantity for the Kit

2	2 cable attachments included
4	4 cable attachments included
6	6 cable attachments included (N/A for A size)

Capacity and Type of Splice Tray

NT	No tray installed in factory
12	A, B, or C tray with two SM6 splice modules
24*	A, B, or C tray with two SM12 splice modules
36	D tray with six SM6 splice modules
72*	D tray with six SM12 splice modules
R1	A, B size ribbon tray (accommodates 12 ribbons/144 fibers)
R2	D size ribbon tray (24 ribbons/288 fibers)
R3	C size ribbon tray (18 ribbons/216 fibers)
SF	Stackable single fusion trays (12 splices)

*Note: SMOUV (1120-01) splice protection sleeves are highly recommended for use with SM12 splice modules.

Quantity of Splice Trays Factory Installed

0 or 1 is standard	Choose either "0" trays (no trays installed) or "1" tray installed. Additional trays sold separately.
--------------------	---

Valve for Flash Testing

V	Valve (standard)
N	No Valve

Note: We recommend flash test valves for FOSC closures. However, non-valved closures are available upon request.

Number of Ground Feed-through Lugs

0	No grounding
1	1 ground feed-through lug (A4 only, N/A for BS)
3	3 ground feed-through lugs (B6, C6, and D6 closures only, N/A for BS)
6	6 ground feed-through lugs (C6 and D6 closure only, N/A for BS)

Note: FEG and MEG kits provide optional ground isolation for FOSC 450 closures.

Slack Basket Type

N	No Basket
A	A4 Standard Size
B	B6, BS Standard Size
C	C6 Standard Size
D	D6 Standard Size
E	Special Bulkhead Basket arrangement for B, BS closures only
T	Tall Size
S	Stackable Trays in D Closure

Note: D-size closures with "N" option include backbone used to route ribbons to ribbon trays. A and B-size closures include storage "socks".

Material Specifications

Material Type	Impact-resistant polymer
----------------------	--------------------------

Environmental Specifications

Environmental Space	Below ground Buried
----------------------------	-----------------------

760248797 | FOSC450-D6-6-R4-2-N3V-PWR

Qualification Standards

GR-3108 class 4 | IEC 61300, 5 m waterhead | Telcordia GR-1089

Safety Standard

ATIS-060040 | UL 62368

Water Resistance

Flash test valve at 5 psi (40 kPa)

Packaging and Weights

Packaging quantity

1

Packaging Type

Box | Carton

Weight, net

9.07 kg | 19.996 lb

Regulatory Compliance/Certifications

Agency

ISO 9001:2015

Classification

Designed, manufactured and/or distributed under this quality management system

