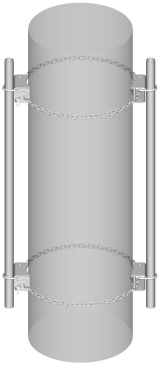


CM-30D-B



Chain Mount Base Kit, 8 ft chain

OBSOLETE

Product Classification

Product Type Chain mount kit

General Specifications

Pipe, quantity 0

Sectors, quantity 2

Dimensions

Height 152.4 mm | 6 in

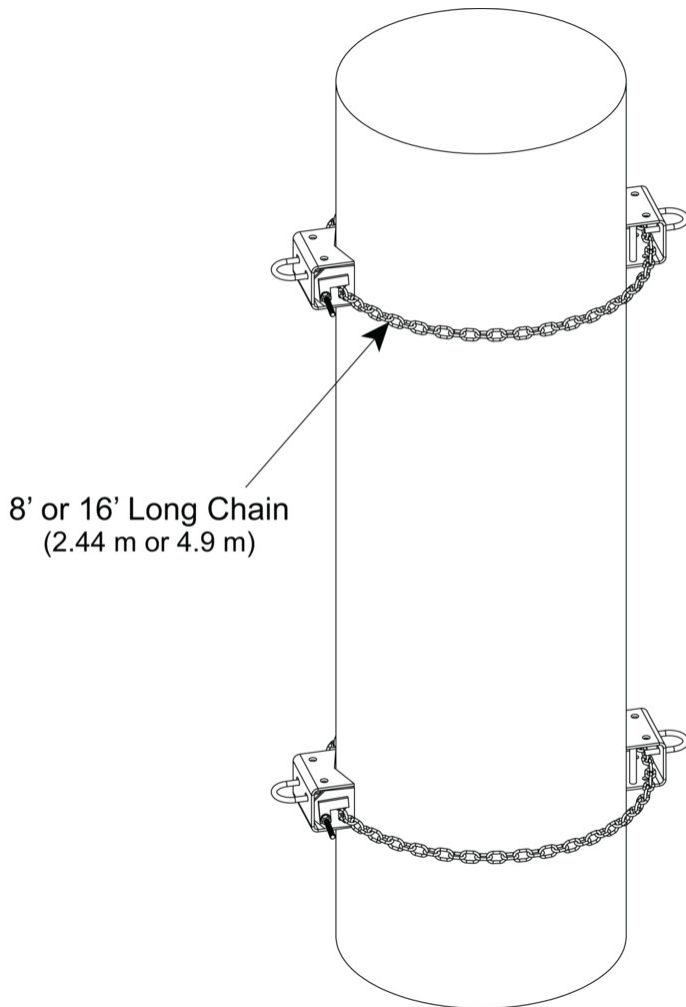
Width 203.2 mm | 8 in

Length 203.2 mm | 8 in

Pipe Outer Diameter 60.96 mm | 2.4 in

CM-30D-B

Outline Drawing



Mechanical Specifications

Wind Rating	120 mph (BWS) at 100 ft AGL
Wind Rating Criteria	One 96 in x 10 in panel antenna per sector
Wind Rating Test Method	TIA/EIA-222

Packaging and Weights

Packaging quantity	1
Weight, net	17.6 kg 38.801 lb

Regulatory Compliance/Certifications

CM-30D-B

Agency

ISO 9001:2015

**Classification**

Designed, manufactured and/or distributed under this quality management system

*** Footnotes****Wind Rating**

BWS—Base Wind Speed; FBC—Florida Building Code