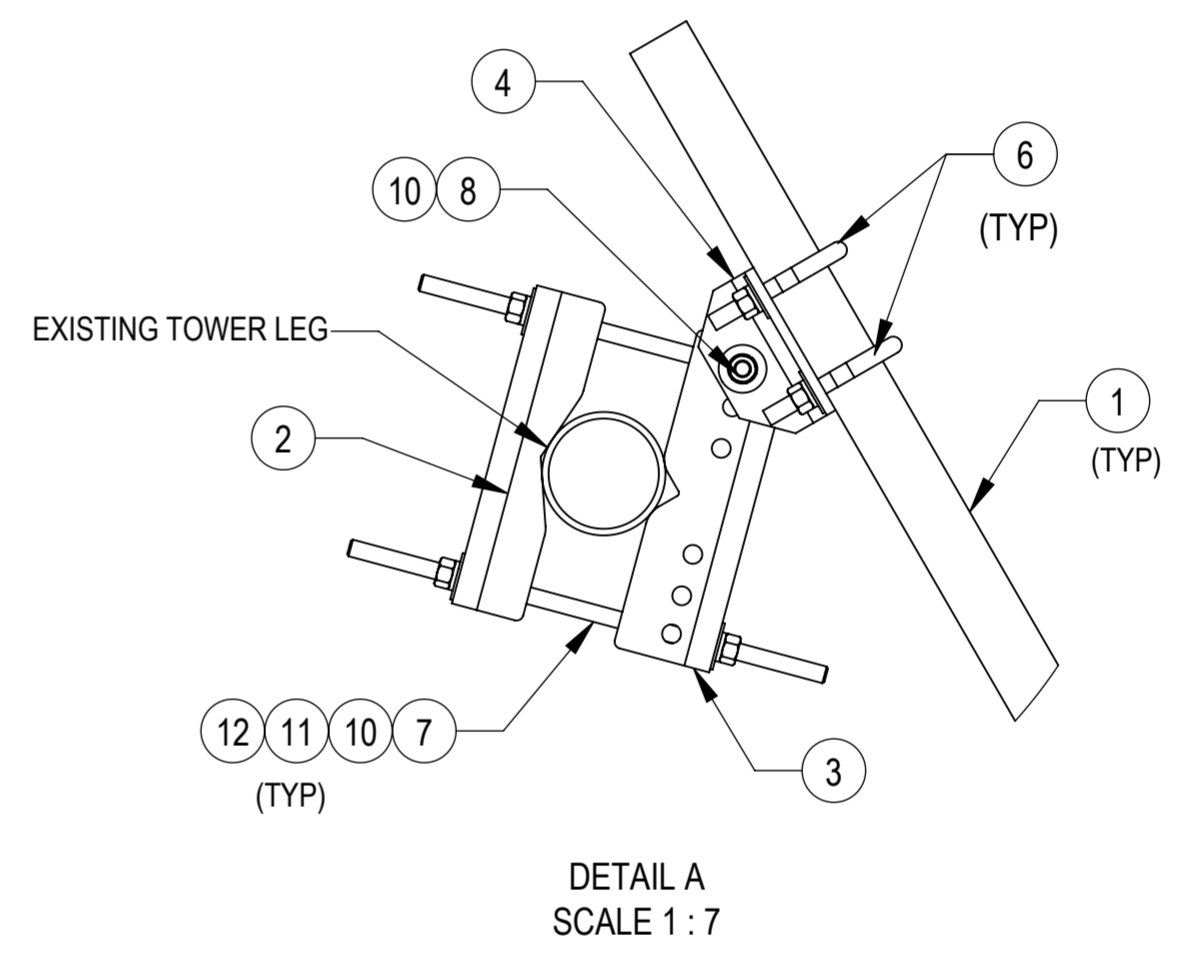
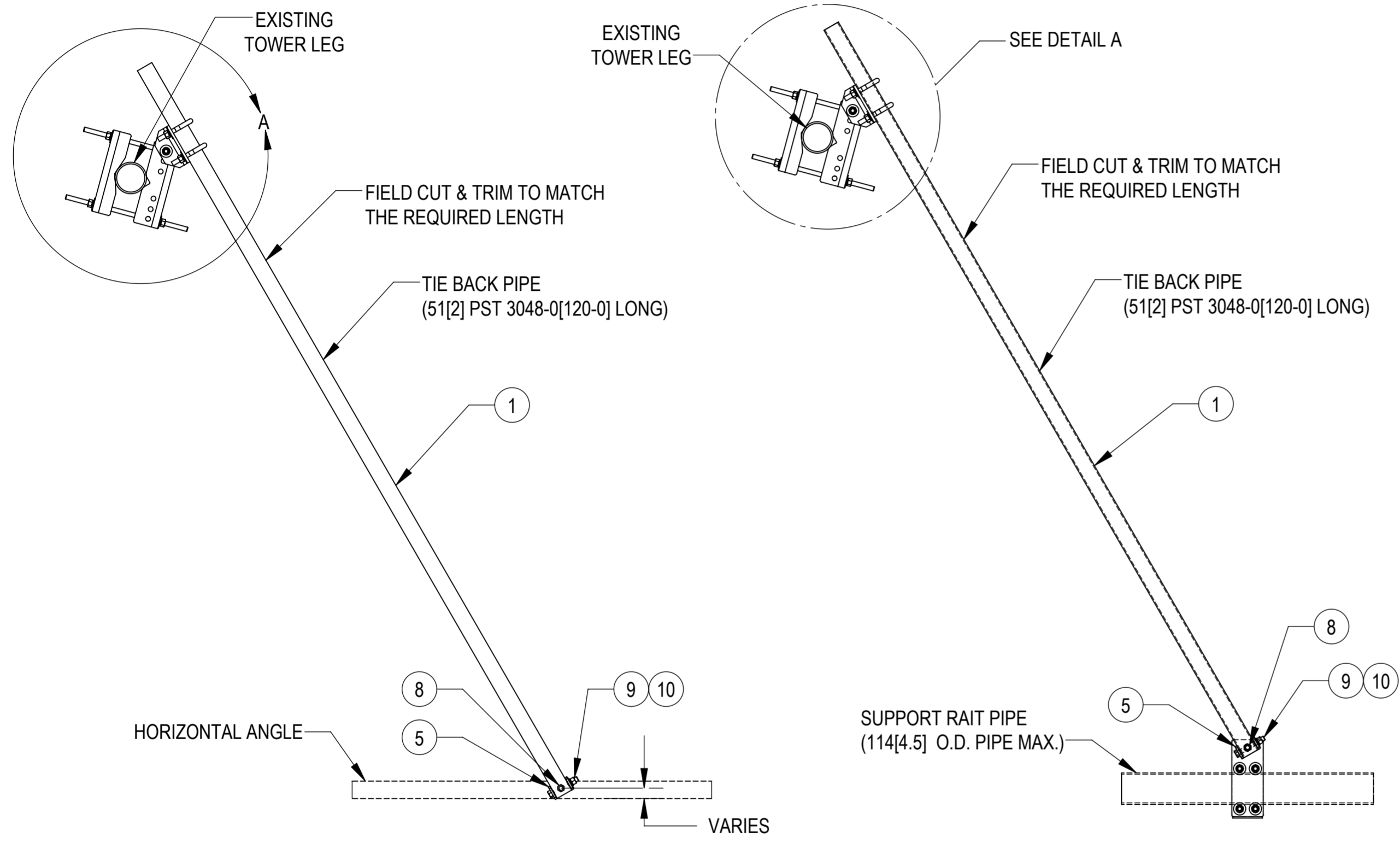


- 1.0 GENERAL NOTES
 1.1 ALL IMPERIAL DIMENSIONS ARE IN BRACKETS [X.XX]
 1.2 MARK PART WITH IDENTIFICATION NUMBER
- 2.0 DESIGN NOTES
 2.1 DESIGNED PER CUSTOMER REQUIREMENTS
- 3.0 MANUFACTURING/SPECIAL REQUIREMENTS
 3.1 TIGHTEN ALL BOLTS SECURING FLAT PLATES BY THE TURN-OF-NUT METHOD. TIGHTEN ALL U-BOLTS USING TURN-OF-NUT METHOD WITH ATTENTION TO LEAVE EQUAL DISTANCE AND EQUAL FORCE ON EACH LEG OF THE U-BOLT.
- 4.0 TEST
- 5.0 PACKAGING
 5.1 PACKAGING SHALL MEET COMMSCOPE REQUIREMENTS PER DOCUMENT IS-PL-3005
 5.2 PRINTED DOCUMENT TO BE PLACED INSIDE POLYBAG AND THEN IN SHIPPING CONTAINER
 5.3 EXTRA HARDWARE MAYBE SUPPLIED, BAGGED AND SHIPPED

REVISIONS			
REV.	DESCRIPTION	DATE	APPROVED
D	REMOVED SURVIVAL WIND SPEED NOTE; REPLACED TORQUE NOTES WITH GENERAL TORQUE NOTES; PART NUMBER CHANGED	YMENG 25OCT22	BCROSS 15809PC
E	REPLACE GUB-53060 WITH GUB-53050	HW1041 14FEB22	BCROSS 40141787CMO
F	ITEM14: V-CLAMP WAS MTC4104-0010	JL1183 5JUL22	BCROSS 40151864CMO
G	ITEM15: GB-05605FT WAS GB-05605, ITEM8: GB-0520A WAS GB-05205, ADDED ITEM 16	YMENG 18AUG22	BCROSS 40151864CMO
H	ITEM 9: GB-0542A WAS GB-05425	YMENG 08SEP22	VCORTEZ1 40156275CMO



PLAN VIEW
 TIE BACK ASSEMBLY ADAPTER FOR ANGLE

PLAN VIEW
 TIE BACK ASSEMBLY WITH ADAPTER FOR PIPE

DENSITY	86.04	lbs/in ³
MASS	306.94	lbs
VOLUME	2875.98	in ³
SURFACE AREA		in ²
DENSITY	39118.85	g/mm ³
MASS	5041588.26	grams
VOLUME	1863163.99	mm ³
SURFACE AREA		mm ²
HEIGHT	216[8.5]	
LENGTH	445[17.5]	
WIDTH	140[5.5]	

COMMSCOPE, INC. OF NORTH CAROLINA

TOLERANCES		SAP MATERIAL MASTER	
0 PLACE	X[.X] ± 5[0.2]	2 PLACE	.XX[.XXX] ± 1.50[0.060]
1 PLACE	.X[.XX] ± 3.0[0.12]	ANGLES	± 2°
FINISH		MATERIAL	
		VZWSMART-SFK1	
UNLESS OTHERWISE SPECIFIED DIMENSIONS ARE IN MILLIMETERS INTERPRET PER ANSI Y14.5M-1994	NAME	DATE	TIE BACK ASSEMBLY
	CE MAC	08/11/2021	
	RW YMENG	09/09/2022	
	AD VCORTEZ1	09/12/2022	
	RE YMENG	09/22/2022	
ECN 40156275CMO			SCALE 1:1
DOCUMENT NO. VZWSMART-SFK1			
SIZE	Auth Group	INSL	MODEL
A2			
VERSION	STATUS	REVISION	DRAWING
08	RE	G	VERSION STATUS REVISION
			09 RE H
			SHEET 1 OF 2

A

B

C

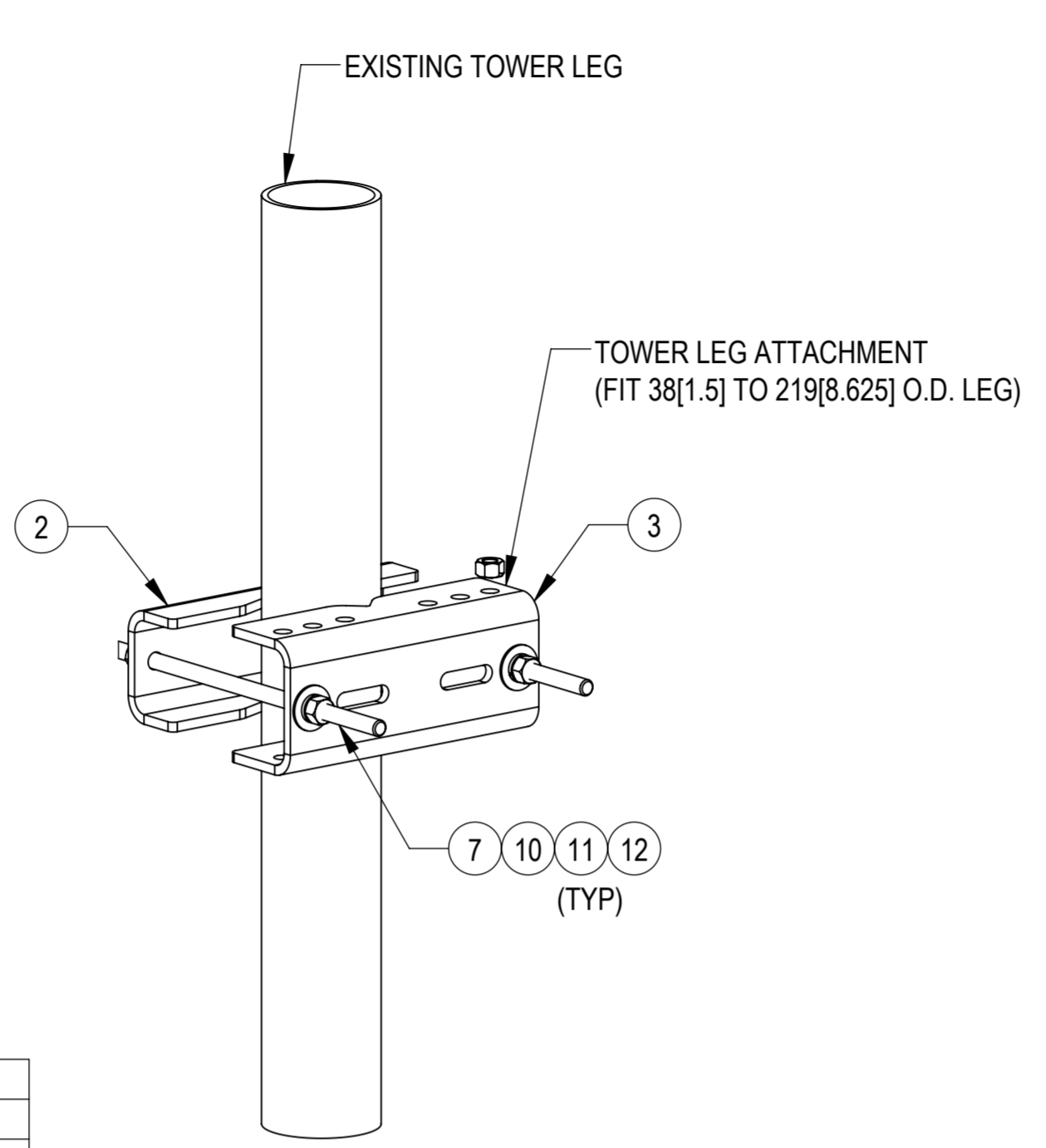
D

E

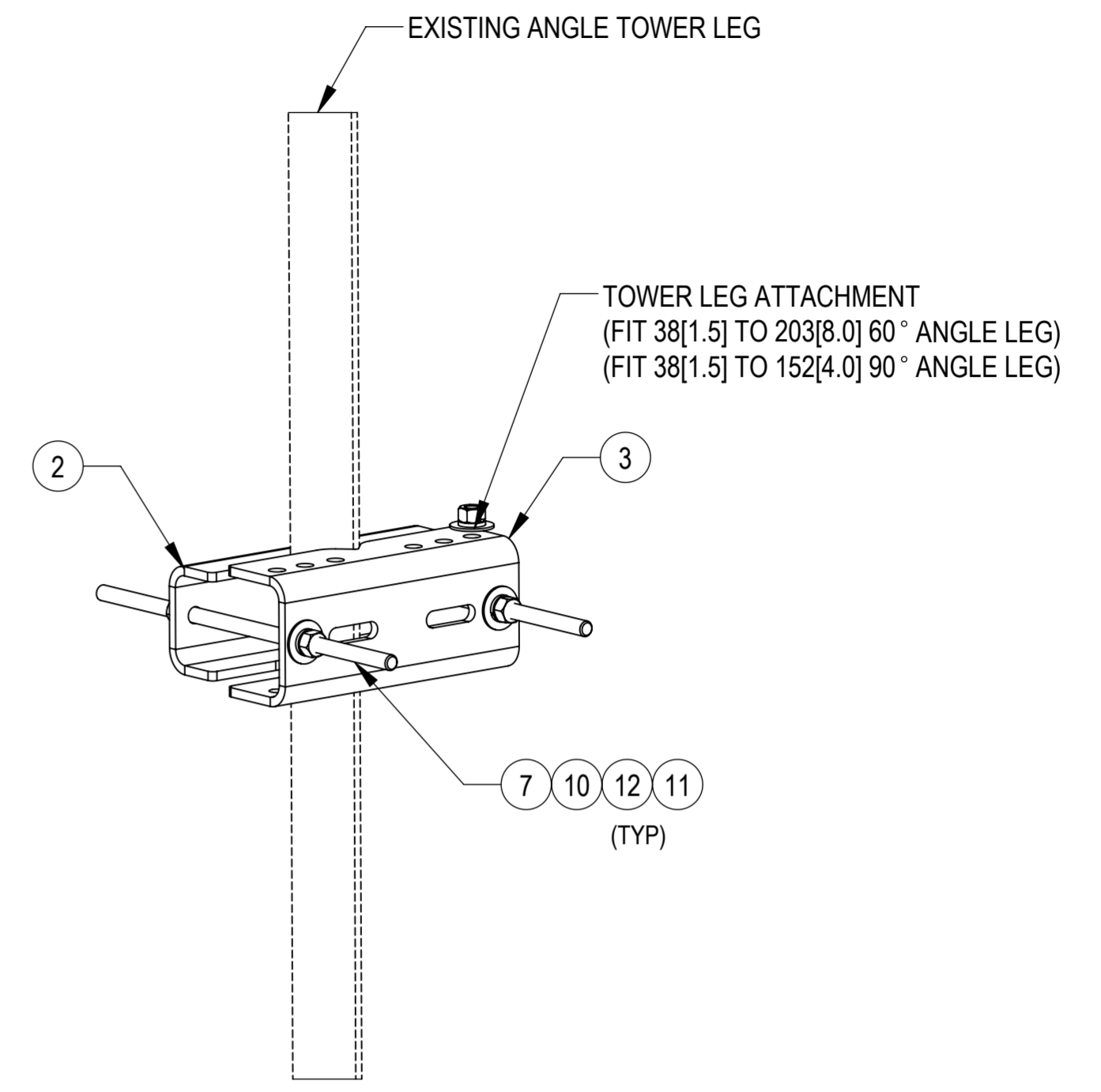
F

G

H



ROUND TOWER LEG ATTACHMENT DETAIL



ANGLE TOWER LEG ATTACHMENT DETAIL

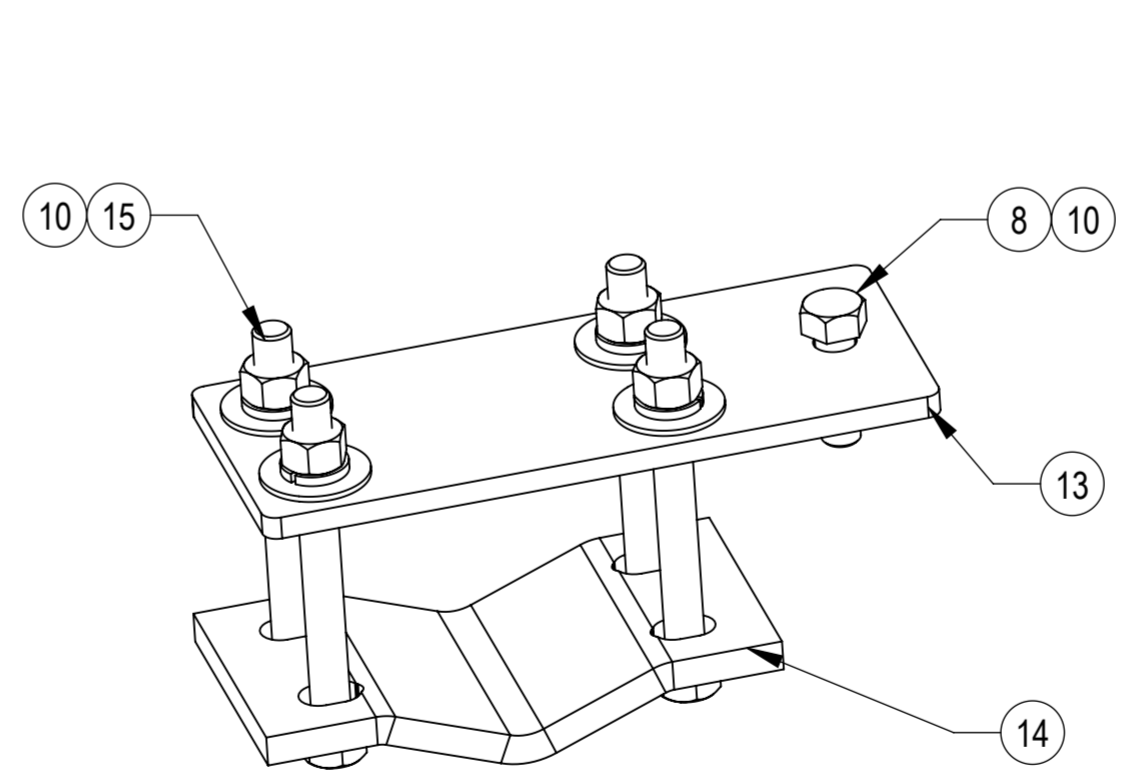
COMPONENT PART NUMBERS PROVIDED FOR ASSEMBLY PURPOSES;
INDIVIDUAL COMPONENTS MAY BE SHIPPED AS PARTS WITHIN AN INCLUDED KIT.

THE BOM OF TIE BACK ASSEMBLY ADAPTER FOR ANGLE

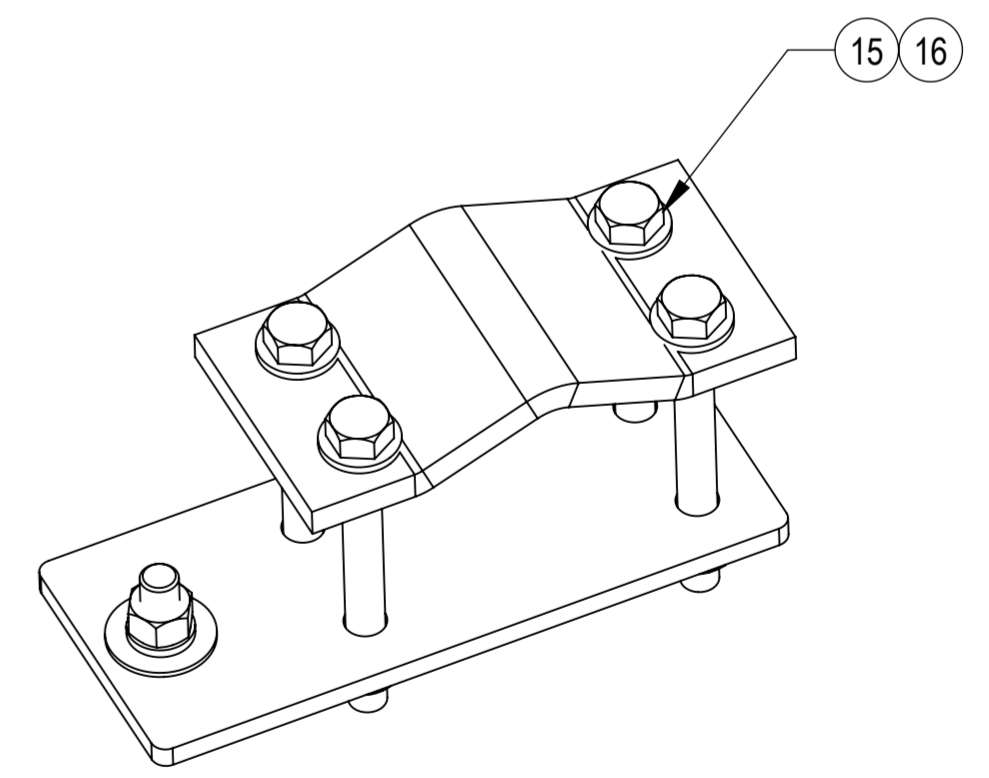
ITEM NO.	PART NUMBER	DESCRIPTION	OPTION 2/QTY.	NOTE NO.
1	PST2375-10	PIPE, TIE BACK	1	
2	MTC4104-0012	BENT PLATE, .375 X 8.25 X 12	1	
3	MTC4104-0013	BENT PLATE, .375 X 11.1 X 12	1	
4	MTC4104-0014	BENT PLATE, .375 X 6 X 6.88	1	
5	MTC4104-0031	BENT PLATE	1	
6	GUB-53050	5/8" X 3" X 5" GALV U-BOLT KIT	2	INCLUDES U-BOLT,FLAT WASHERS, LOCK WASHERS AND NUTS
7	MT-382-18	5/8" X 18" GALV THREADED ROD	2	
8	GB-0520A	5/8" X 2" GALV BOLT KIT (A325)	2	INCLUDES BOLT, LOCK WASHER AND NUT
9	GB-0542A	5/8" X 4-1/4" GALV BOLT KIT(A325)	1	INCLUDES BOLT, LOCK WASHER AND NUT
10	GWF-05	5/8" GALV FLAT WASHER, 1.7OD	7	
11	GWL-05	5/8" GALV LOCK WASHER	4	
12	GN-05	5/8" GALV HEX NUT	4	

THE BOM OF TIE BACK ASSEMBLY ADAPTER FOR PIPE

ITEM NO.	PART NUMBER	DESCRIPTION	OPTION 1/QTY.	NOTE NO.
1	PST2375-10	PIPE, TIE BACK	1	
2	MTC4104-0012	BENT PLATE, .375 X 8.25 X 12	1	
3	MTC4104-0013	BENT PLATE, .375 X 11.1 X 12	1	
4	MTC4104-0014	BENT PLATE, .375 X 6 X 6.88	1	
5	MTC4104-0031	BENT PLATE	1	
6	GUB-53050	5/8" X 3" X 5" GALV U-BOLT KIT	2	INCLUDES U-BOLT,FLAT WASHERS, LOCK WASHERS AND NUTS
7	MT-382-18	5/8" X 18" GALV THREADED ROD	2	
8	GB-0520A	5/8" X 2" GALV BOLT KIT (A325)	2	INCLUDES BOLT, LOCK WASHER AND NUT
9	GB-0542A	5/8" X 4-1/4" GALV BOLT KIT(A325)	1	INCLUDES BOLT, LOCK WASHER AND NUT
10	GWF-05	5/8" GALV FLAT WASHER, 1.7OD	11	
11	GWL-05	5/8" GALV LOCK WASHER	4	
12	GN-05	5/8" GALV HEX NUT	4	
13	PL375-4511	PLATE, TIE BACK MOUNTING	1	
14	V-CLAMP	CLAMP, 4 SLOT V	1	
15	GB-05605FT	5/8" X 6" GALV BOLT KIT FULL THREAD	4	INCLUDES BOLT, LOCK WASHER AND NUT
16	GWF05A	GALV FLAT WASHER HARDENED 5/8", 1.3OD	4	INCLUDES BOLT, LOCK WASHER AND NUT



ADAPTER FOR PIPE CONNECTION



COMMSCOPE, INC. OF NORTH CAROLINA				
TITLE TIE BACK ASSEMBLY				
SIZE A2	SCALE 1:1	DOCUMENT NO. VZWSMART-SFK1		
DRAWING		SHEET		
VERSION 09	STATUS RE	REVISION H	2 OF 2	