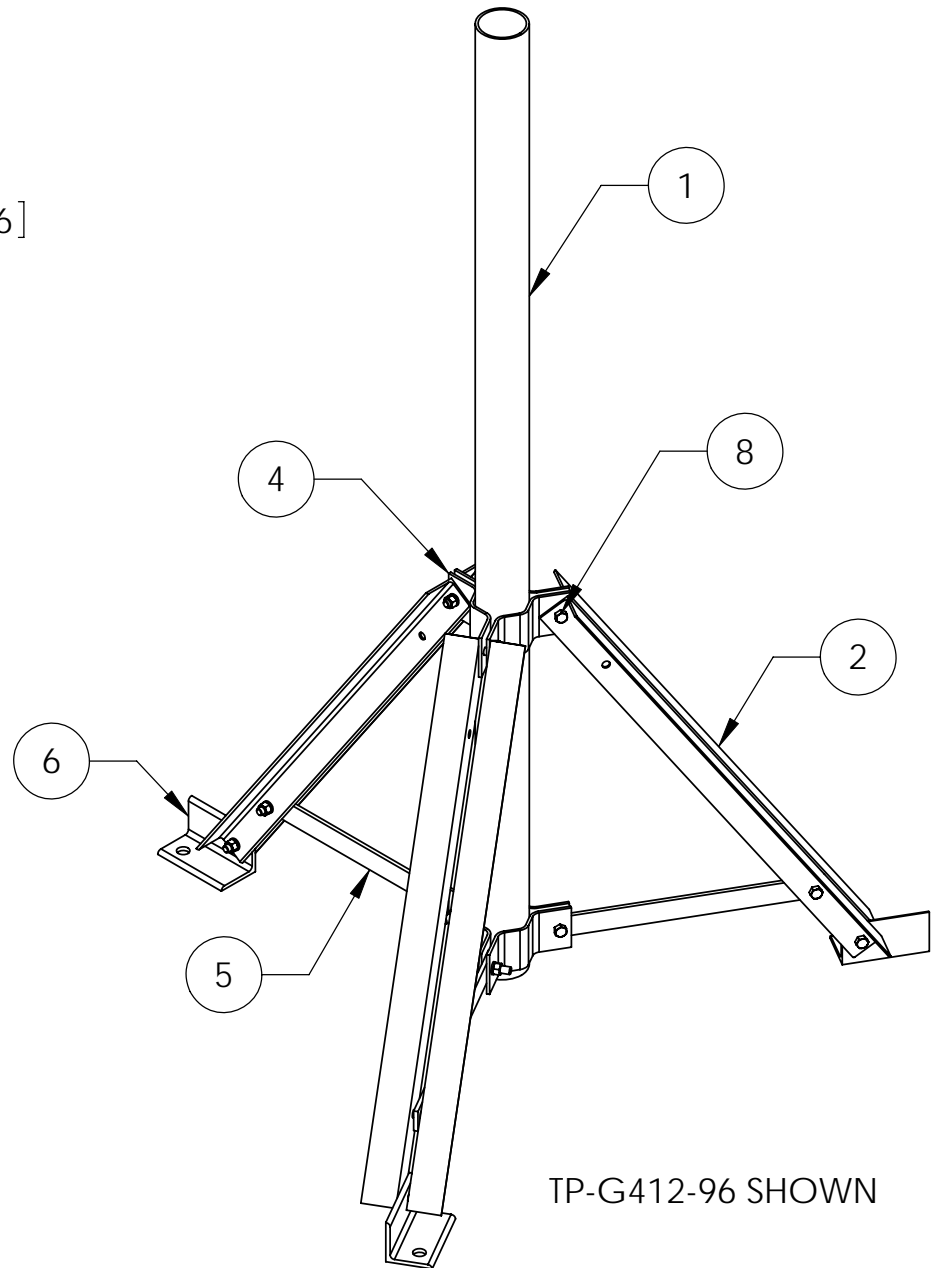
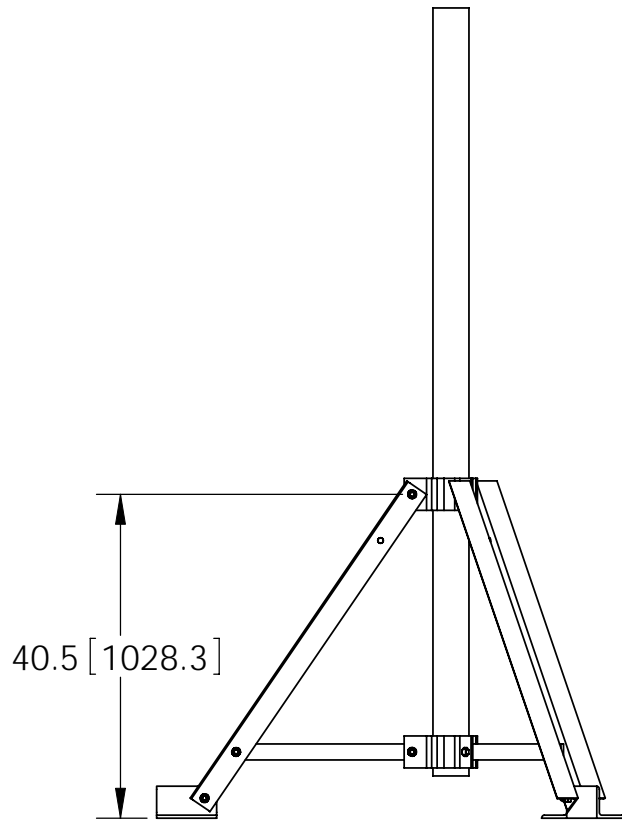
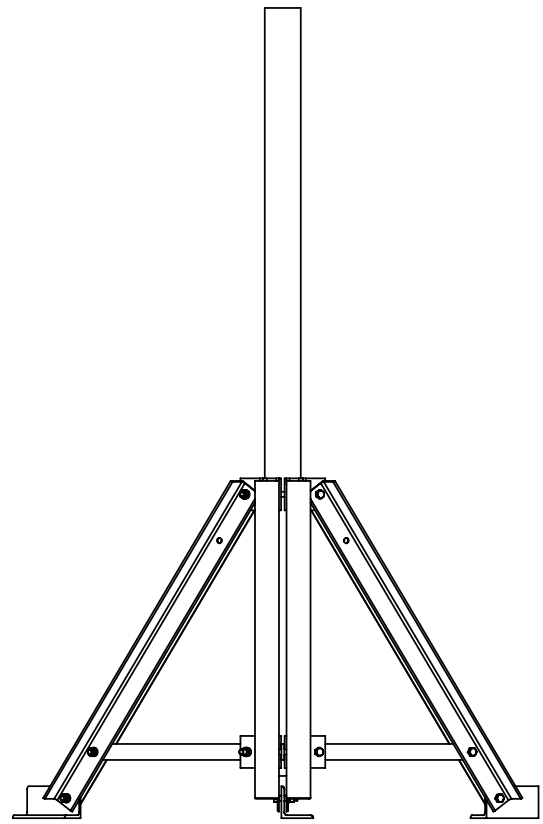
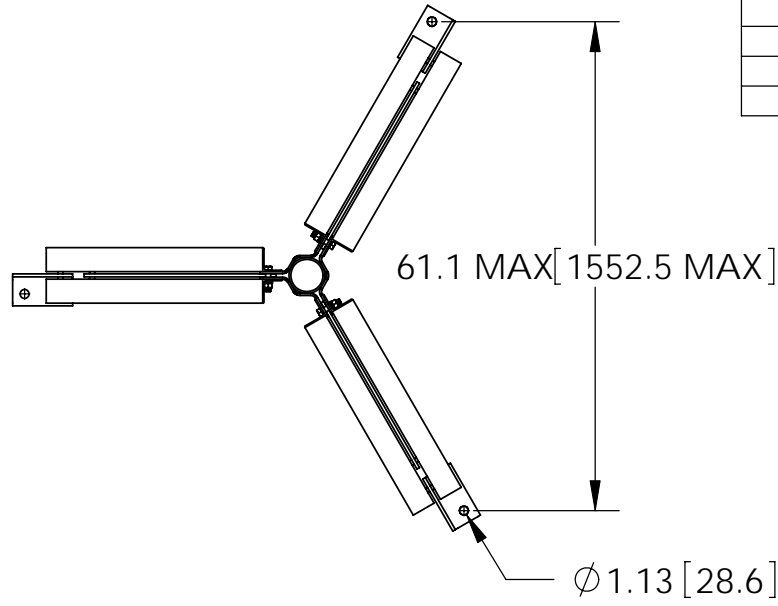



ITEM	PART NO.	DESCRIPTION						WEIGHT
			TP-G412-B	TP-G412-72	TP-G412-96	TP-G412-126	TP-G412-150	
1	MT-654	Ø 4.5" O.D. X 72" SCH 40 PIPE	-	1	-	-	-	64.98 LBS
1	MT-654-96	Ø 4.5" O.D. X 96" SCH 40 PIPE	-	-	1	-	-	86.64 LBS
1	MT-539	Ø 4.5" X 126" SCH 40 PIPE	-	-	-	1	-	113.71 LBS
1	MT-654-150	Ø 4.5" O.D. X 150" SCH 40 PIPE	-	-	-	-	1	135.37 LBS
2	TPG412B.09	TRIPOD LEG ANGLE	6	6	6	6	6	14.74 LBS
3	TPG412BHK	HARDWARE KIT (ITEMS 4-7)	1	1	1	1	1	
4	TPG412B.02	Ø 4-1/2" TRIPOD CLAMP	6	6	6	6	6	3.05 LBS
5	TPG412B.04	TRIPOD BRACE	3	3	3	3	3	4.99 LBS
6	TPG412B.07	TRIPOD FOOT	3	3	3	3	3	5.84 LBS
7	TPG412BH	HARDWARE KIT (ITEMS 8)	1	1	1	1	1	
8	GB-05245	5/8" X 2-1/2" GALV BOLT KIT	12	12	12	12	12	0.04 LBS

REVISIONS				
REV.	ZONE	DESCRIPTION	BY	DATE
B		REDRAWN & REVISED	DMW	05/25/01
C		UPDATE PART LIST	ACG	02/25/04
D		VIEWS ADDED, REDRAWN IN SOLIDWORKS	ACG	08/10/06
E		ADDED TP-G412-150	ACG	03/21/07
F		UPDATE TRIPOD KICKER LEG & FOOT	ACG	12/09/08



TP-G412-96 SHOWN

NOTES:
1. ALL METRIC DIMENSIONS ARE IN BRACKETS.

These drawings and specifications are the proprietary property of ANDREW CORPORATION and may be used only for the specific purpose authorized in writing by Andrew Corporation. ALL DIMENSIONS ARE IN INCHES U.O.S. TOLERANCES UNLESS OTHERWISE SPECIFIED: .X = ± .12 ANGLES ±2° .XX = ± .06 FRACTIONS ±1/32 .XXX = ± .030 REMOVE BURRS AND BREAK EDGES .005 DO NOT SCALE THIS PRINT	DRAWN BY: ACG	SHEET: 1 of 1	PART NUMBER: TP-G412-SERIES
	CHECKED BY: TP	SCALE: NTS	DESCRIPTION: Ø 4-1/2" O.D. PIPE MOUNT TRIPOD BASE
	DATE: 08/09/06	MATERIAL: A36, A53	DRAWING TYPE: ASSEMBLY DRAWING
	REVISION: F	FINISH: GALV A123 WEIGHT: 230.90 LBS	 ORLAND PARK, IL. 60462 U.S.A.