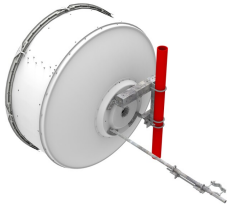


HX6-7W-4WH



1.8m | 6ft ValuLine® High Performance, High XPD Antenna, dual-polarized, white, 7.125 – 8.500 GHz, PDR84 flange

Product Classification

| | |
|----------------------|-------------------|
| Product Type | Microwave antenna |
| Product Brand | ValuLine® |

General Specifications

| | |
|-------------------------------|---|
| Antenna Type | HX - ValuLine® High Performance, High XPD Antenna, dual-polarized |
| Polarization | Dual |
| Antenna Input | PDR84 |
| Antenna Color | White |
| Reflector Construction | One-piece reflector |
| Radome Color | Gray |
| Radome Material | Fabric |
| Side Struts, Included | 1 |
| Side Struts, Optional | 1 |

Dimensions

| | |
|--------------------------|--------------|
| Diameter, nominal | 1.8 m 6 ft |
|--------------------------|--------------|

Electrical Specifications

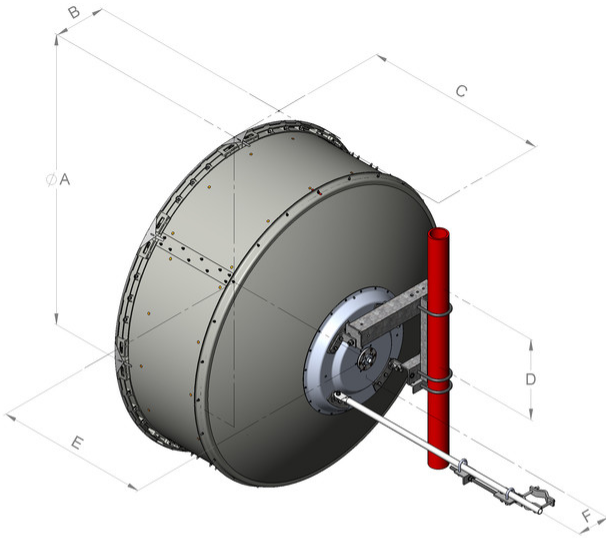
| | |
|---|-------------------|
| Operating Frequency Band | 7.125 – 8.500 GHz |
| Gain, Low Band | 40.1 dBi |
| Gain, Mid Band | 40.8 dBi |
| Gain, Top Band | 41.3 dBi |
| Boresite Cross Polarization Discrimination (XPD) | 33 dB |
| Front-to-Back Ratio | 72 dB |
| Beamwidth, Horizontal | 1.5 ° |
| Beamwidth, Vertical | 1.5 ° |
| Return Loss | 26 dB |

HX6-7W-4WH

| | |
|--|---|
| VSWR | 1.1 |
| Radiation Pattern Envelope Reference (RPE) | 7377 |
| Electrical Compliance | ACMA FX03_7p5a Brazil Anatel Class 2 Canada SRSP 307.1 ETSI 302 217 Class 3 |
| Cross Polarization Discrimination (XPD) Electrical Compliance | ETSI EN 302217 XPD Category 2 |
| Mechanical Specifications | |
| Compatible Mounting Pipe Diameter | 115 mm–120 mm 4.5 in–4.7 in |
| Fine Azimuth Adjustment Range | ±15° |
| Fine Elevation Adjustment Range | ±5° |
| Wind Speed, operational | 200 km/h 124.274 mph |
| Wind Speed, survival | 200 km/h 124.274 mph |

HX6-7W-4WH

Antenna Dimensions and Mounting Information



| Dimensions in inches (mm) | | | | | | |
|---------------------------|-------------|------------|-------------|------------|-------------|-----------|
| Antenna size, ft (m) | A | B | C | D | E | F |
| 6 (1.8) | 74.8 (1899) | 13.4 (340) | 47.5 (1206) | 20.9 (530) | 39.4 (1001) | 8.4 (214) |

Wind Forces at Wind Velocity Survival Rating

Axial Force (FA)

6960 N | 1,564.671 lbf

Angle α for MT Max

-130 °

Side Force (FS)

1566 N | 352.051 lbf

Twisting Moment (MT)

3923 N-m | 34,721.477 in lb

Force on Inboard Strut Side

4075 N | 916.097 lbf

Zcg without Ice

363 mm | 14.291 in

Zcg with 1/2 in (12 mm) Radial Ice

541 mm | 21.299 in

Weight with 1/2 in (12 mm) Radial Ice

237 kg | 522.495 lb

HX6-7W-4WH

HX6-7W-4WH

Wind Forces at Wind Velocity Survival Rating Image



Packaging and Weights

| | |
|-----------------------|---|
| Height, packed | 2128 mm 83.78 in |
| Width, packed | 544 mm 21.417 in |
| Length, packed | 1895 mm 74.606 in |
| Packaging Type | Standard pack |
| Volume | 2.2 m ³ 77.692 ft ³ |
| Weight, gross | 145 kg 319.67 lb |
| Weight, net | 85 kg 187.393 lb |

Regulatory Compliance/Certifications

HX6-7W-4WH

| Agency | Classification |
|------------|-----------------------------------|
| CHINA-ROHS | Below maximum concentration value |
| ROHS | Compliant |
| UK-ROHS | Compliant |



* Footnotes

Operating Frequency Band

Bands correspond with CCIR recommendations or common allocations used throughout the world. Other ranges can be accommodated on special order.

Gain, Mid Band

For a given frequency band, gain is primarily a function of antenna size. The gain of Andrew antennas is determined by either gain by comparison or by computer integration of the measured antenna patterns.

Boresite Cross Polarization Discrimination (XPD)

The difference between the peak of the co-polarized main beam and the maximum cross-polarized signal over an angle twice the 3 dB beamwidth of the co-polarized main beam.

Front-to-Back Ratio

Denotes highest radiation relative to the main beam, at $180^\circ \pm 40^\circ$, across the band. Production antennas do not exceed rated values by more than 2 dB unless stated otherwise.

Return Loss

The figure that indicates the proportion of radio waves incident upon the antenna that are rejected as a ratio of those that are accepted.

VSWR

Maximum; is the guaranteed Peak Voltage-Standing-Wave-Ratio within the operating band.

Radiation Pattern Envelope Reference (RPE)

Radiation patterns define an antenna's ability to discriminate against unwanted signals. Under still dry conditions, production antennas will not have any peak exceeding the current RPE by more than 3dB, maintaining an angular accuracy of $\pm 1^\circ$ throughout

Cross Polarization Discrimination (XPD) Electrical Compliance

The difference between the peak of the co-polarized main beam and the maximum cross-polarized signal over an angle twice the 3 dB beamwidth of the co-polarized main beam.

Wind Speed, operational

For VHLP(X), SHP(X), HX and USX antennas, the wind speed where the maximum antenna deflection is 0.3 x the 3 dB beam width of the antenna. For other antennas, it is defined as a deflection is equal to or less than 0.1 degrees.

Wind Speed, survival

The maximum wind speed the antenna, including mounts

HX6-7W-4WH

and radomes, where applicable, will withstand without permanent deformation. Realignment may be required. This wind speed is applicable to antenna with the specified amount of radial ice.

Axial Force (FA)

Maximum forces exerted on a supporting structure as a result of wind from the most critical direction for this parameter. The individual maximums specified may not occur simultaneously. All forces are referenced to the mounting pipe.

Side Force (FS)

Maximum side force exerted on the mounting pipe as a result of wind from the most critical direction for this parameter. The individual maximums specified may not occur simultaneously. All forces are referenced to the mounting pipe.

Twisting Moment (MT)

Maximum forces exerted on a supporting structure as a result of wind from the most critical direction for this parameter. The individual maximums specified may not occur simultaneously. All forces are referenced to the mounting pipe.

Packaging Type

Andrew standard packing is suitable for export. Antennas are shipped as standard in totally recyclable cardboard or wire-bound crates (dependent on product). For your convenience, Andrew offers heavy duty export packing options.