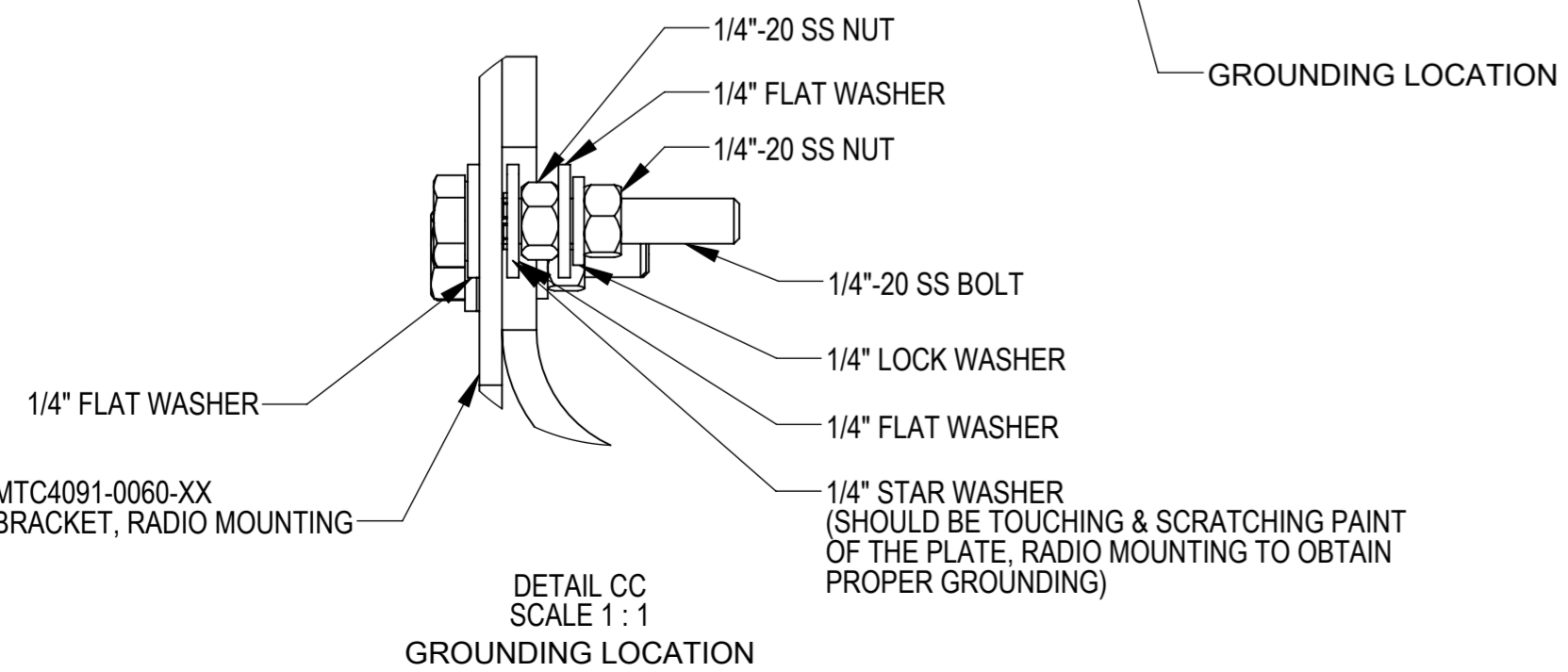
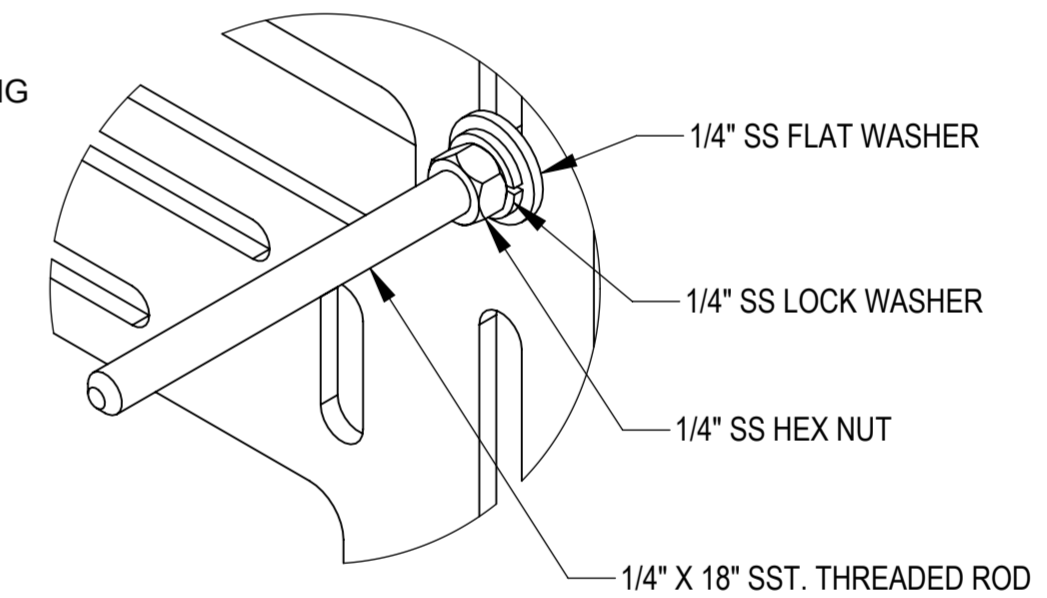
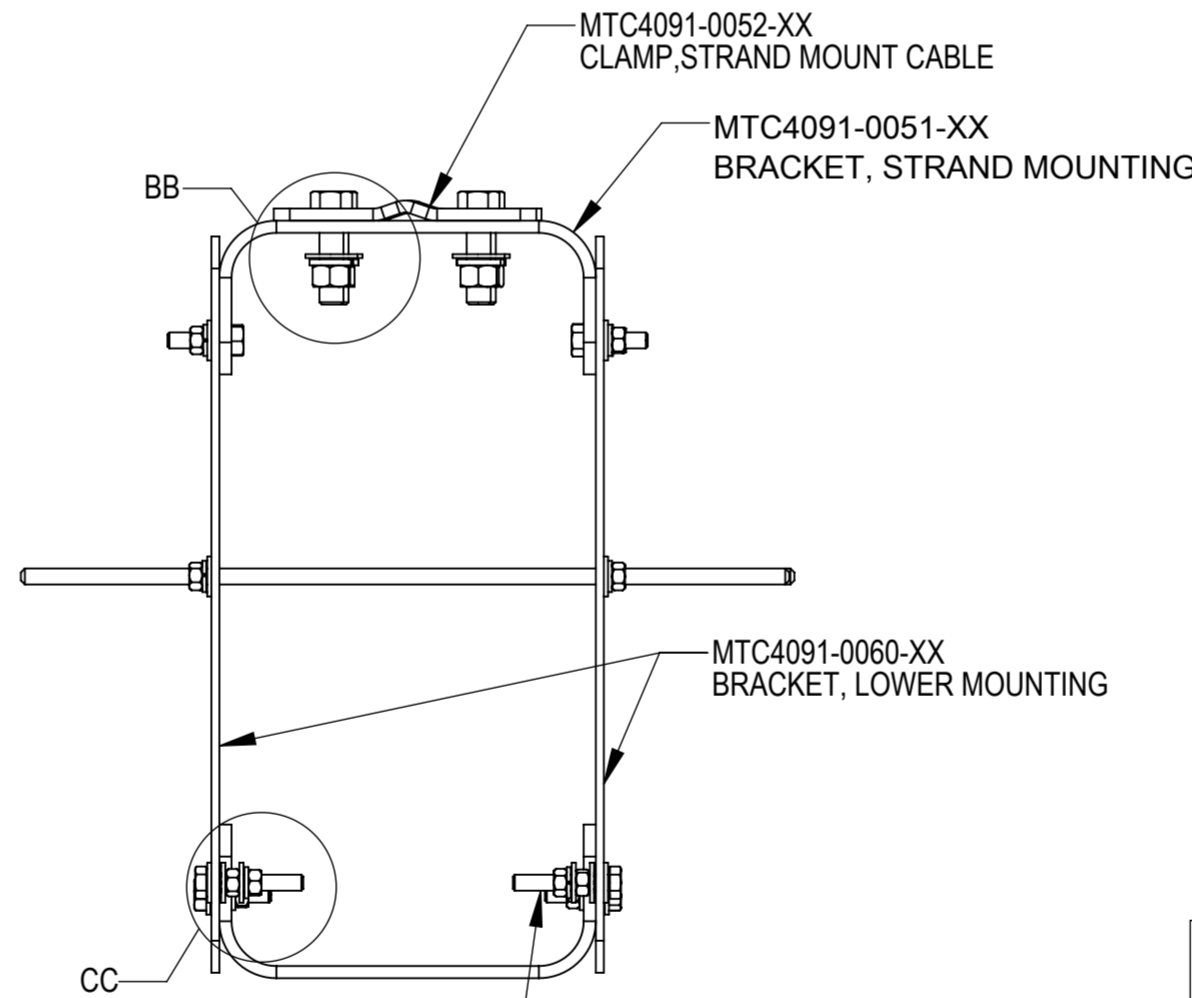
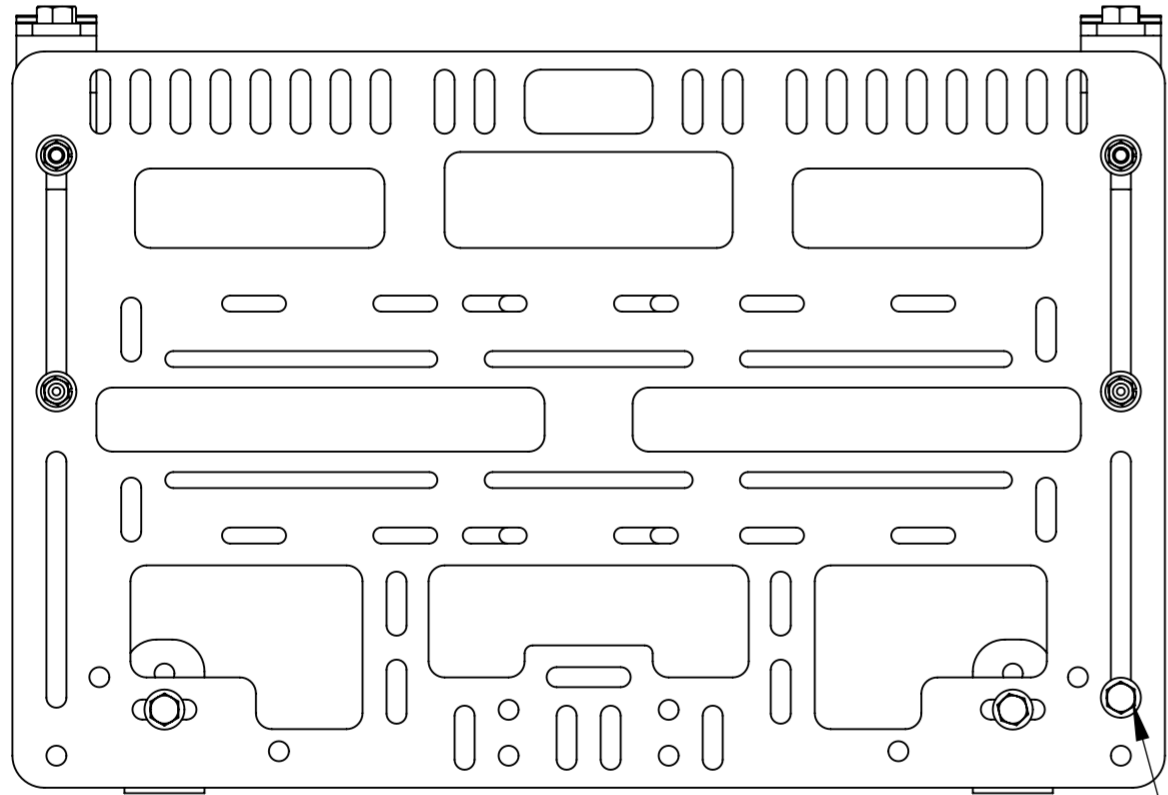
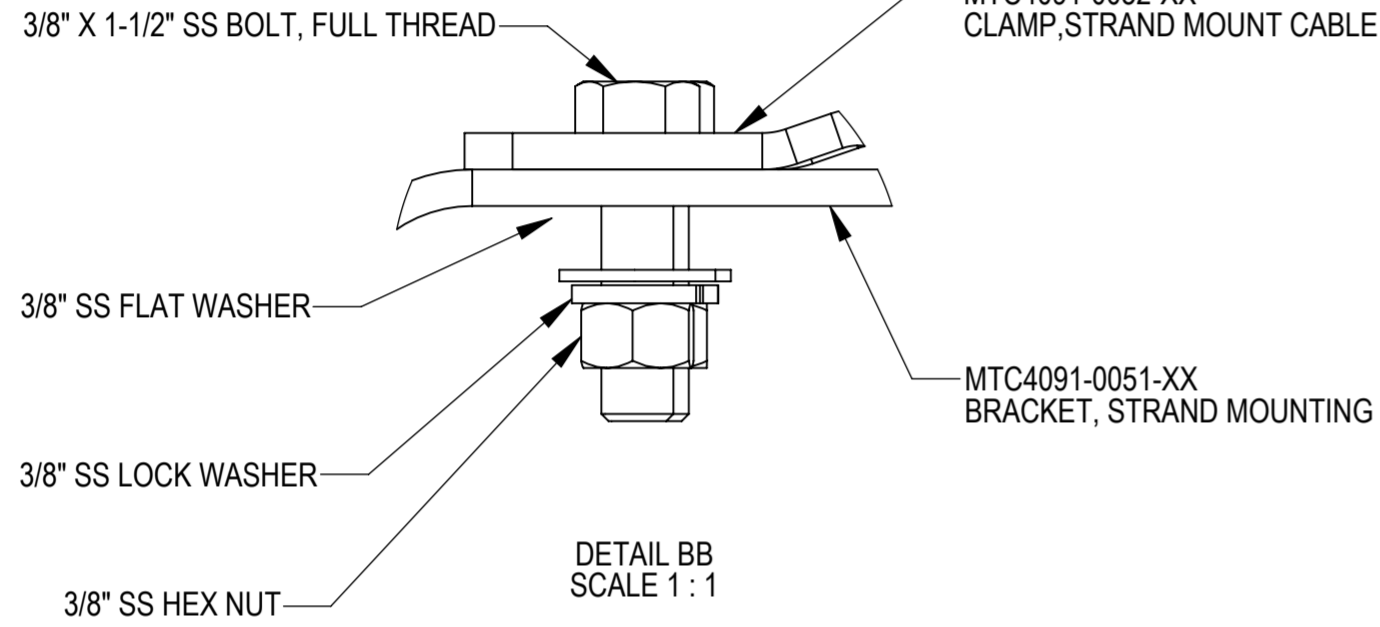
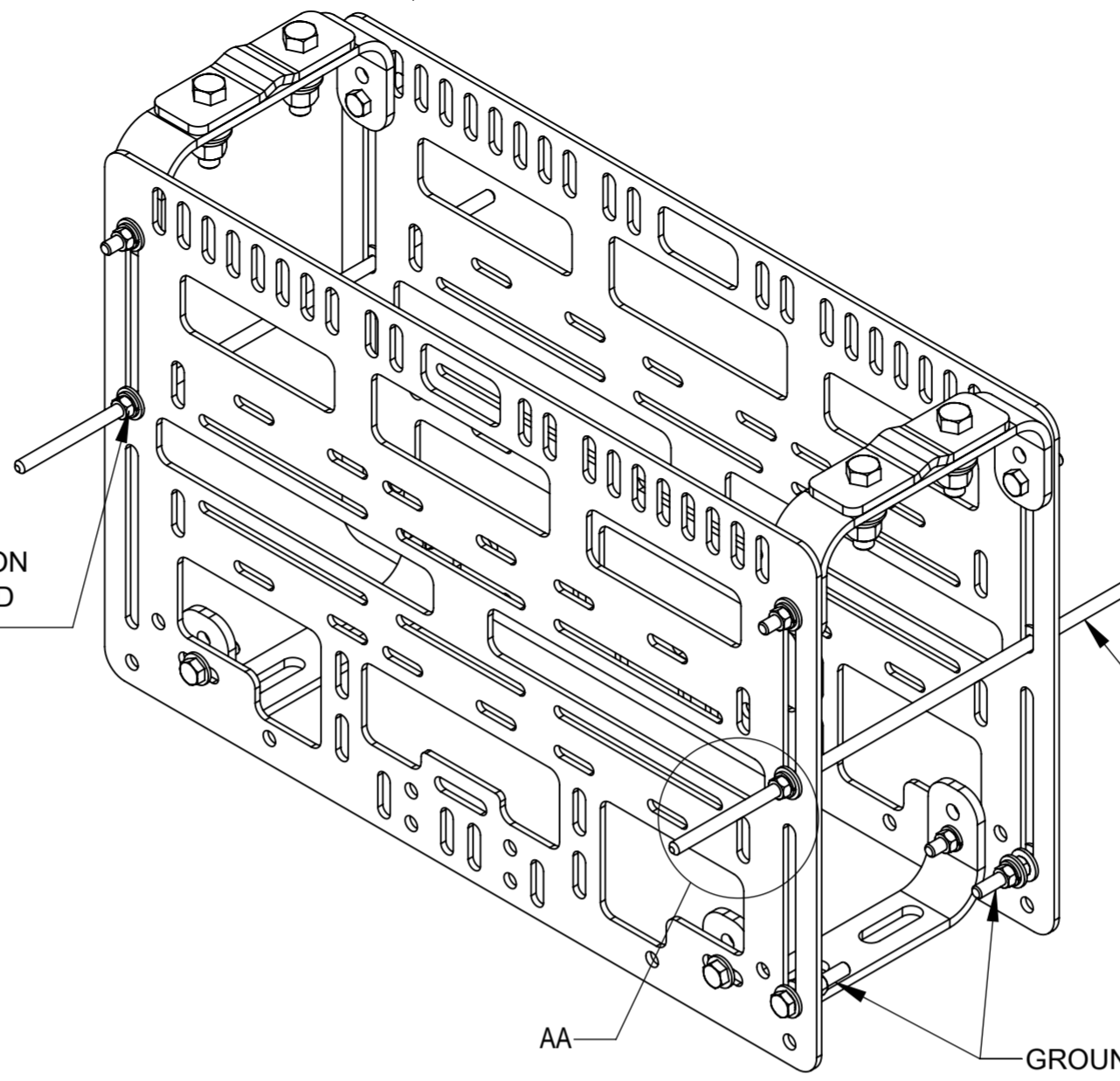


- 1.0 GENERAL
 1.1 ALL METRIC DIMENSIONS ARE IN BRACKETS
 1.2 FOR PATENT INFO :<https://www.cs-pat.com>
 2.0 DESIGN NOTES
 3.0 MANUFACTURING/SPECIAL REQUIREMENTS
 3.1 TORQUE 1/4" HARDWARE 7 FT-LBS TORQUE 3/8" HARDWARE 25 FT-LBS
 4.0 TEST
 5.0 PACKAGING
 5.1 PACKAGING SHALL MEET COMMSCOPE REQUIRMENTS PER DOCUMENT IS-PL-3005

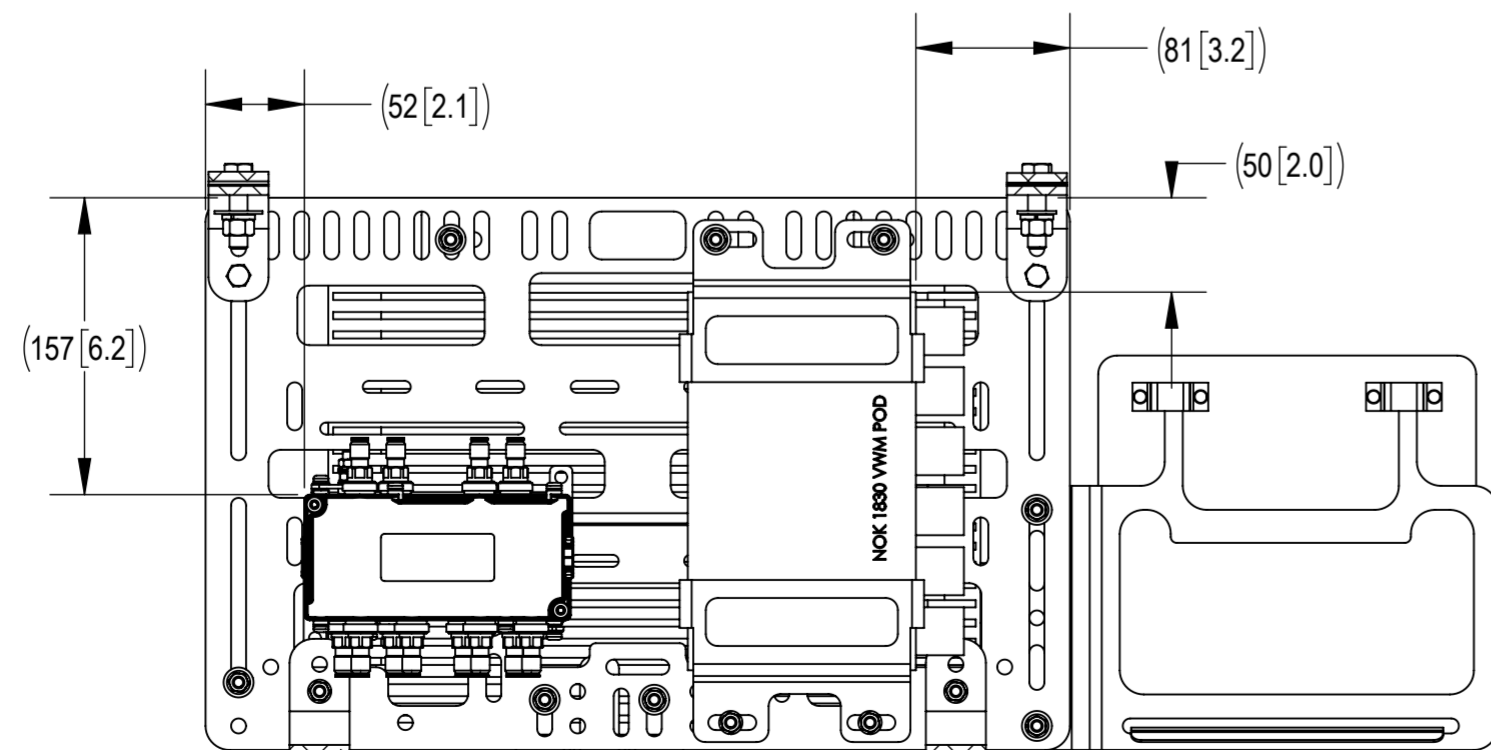
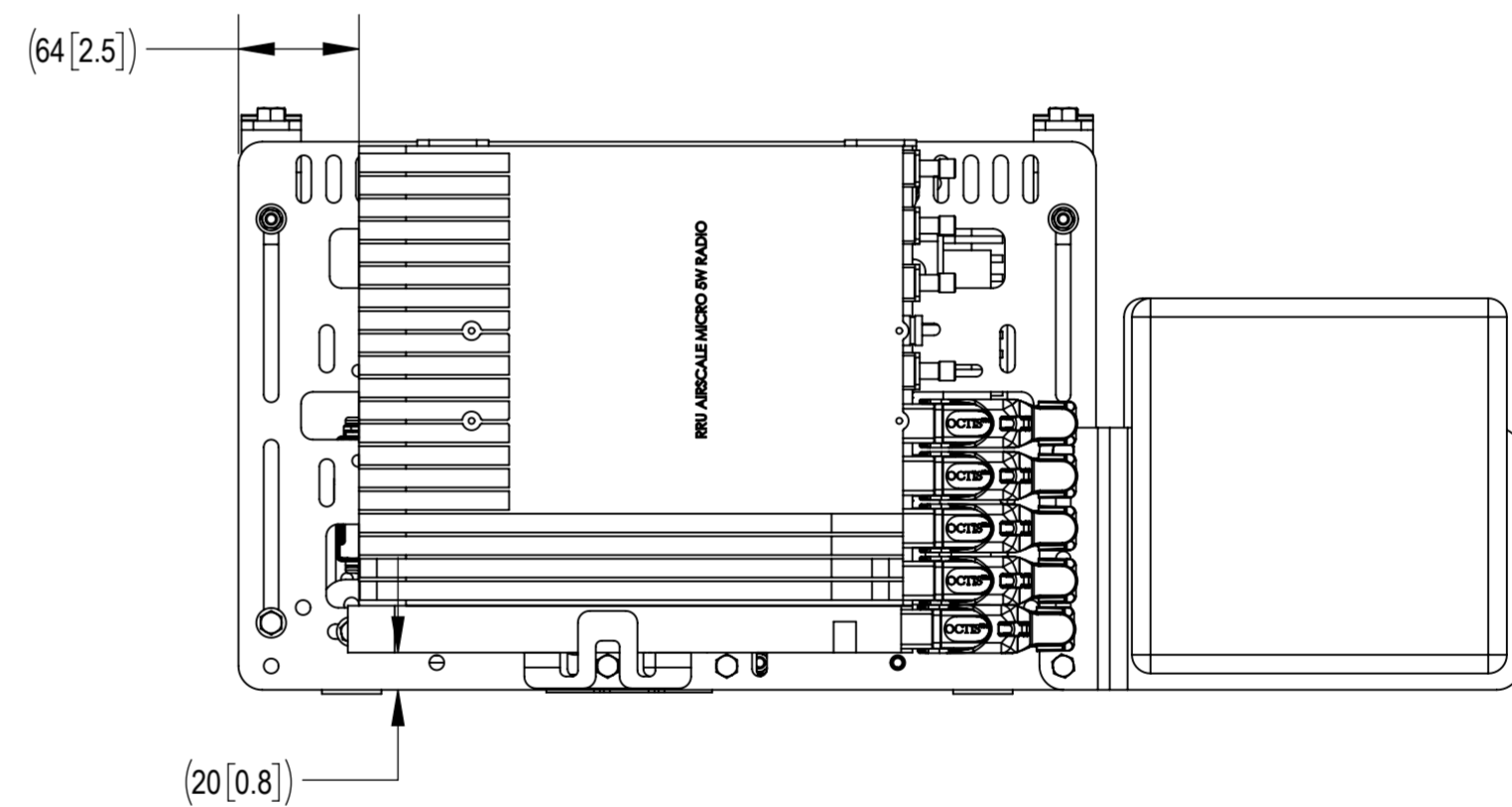
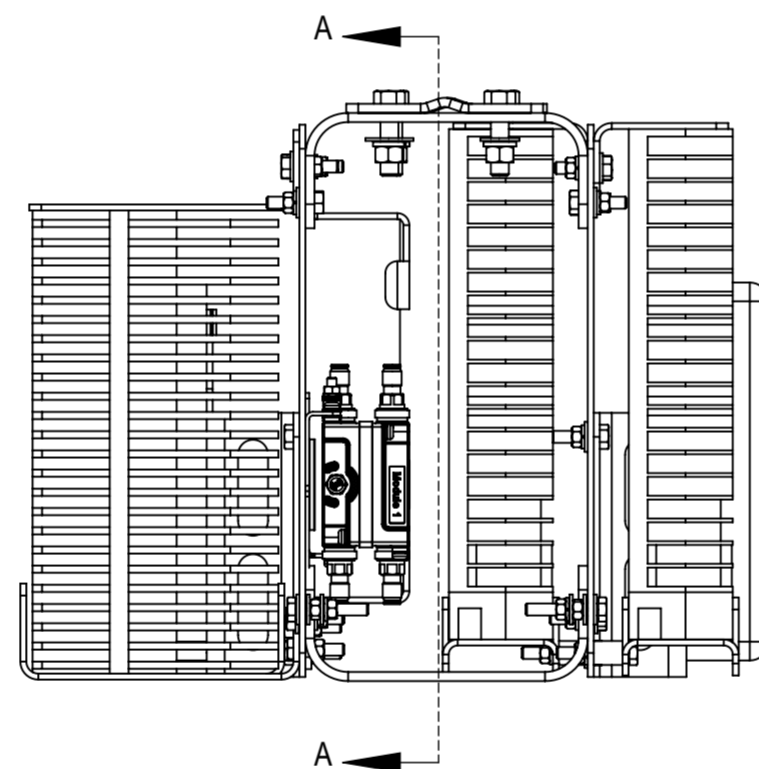
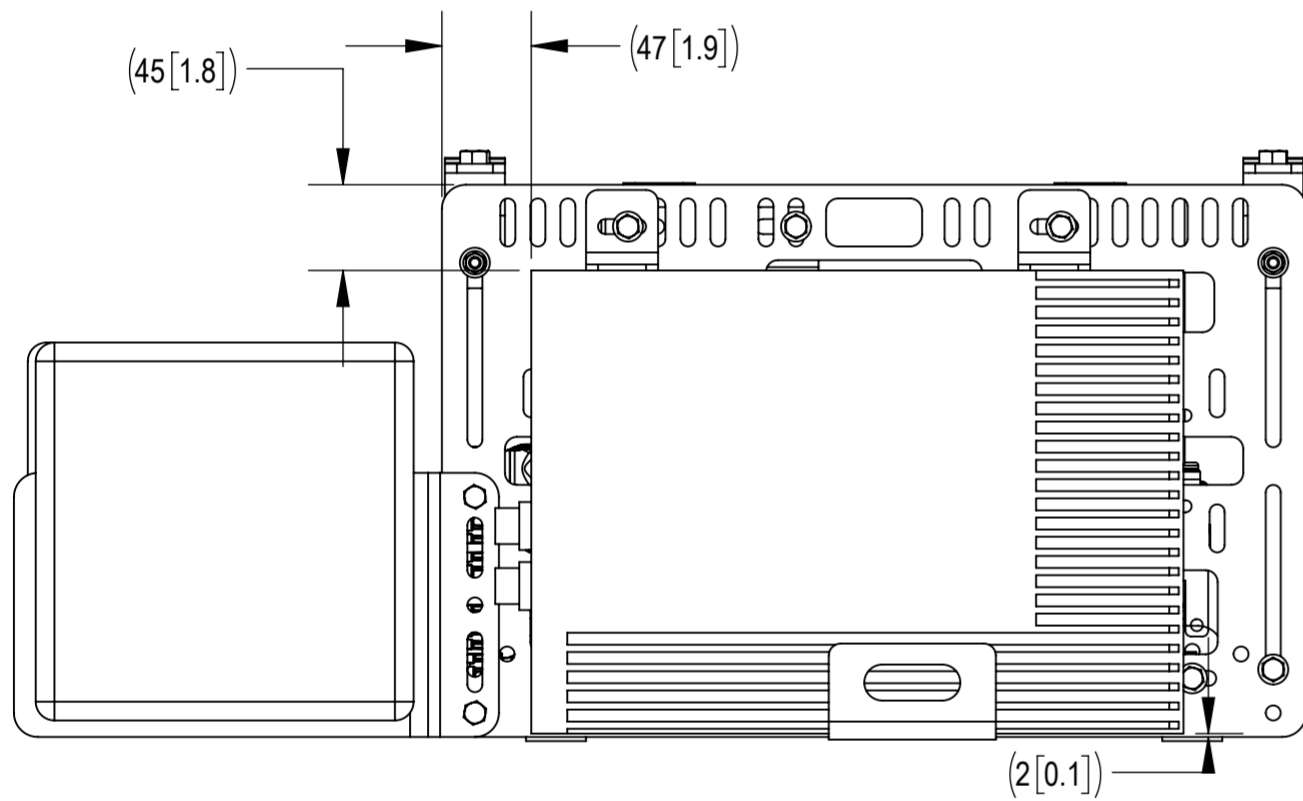
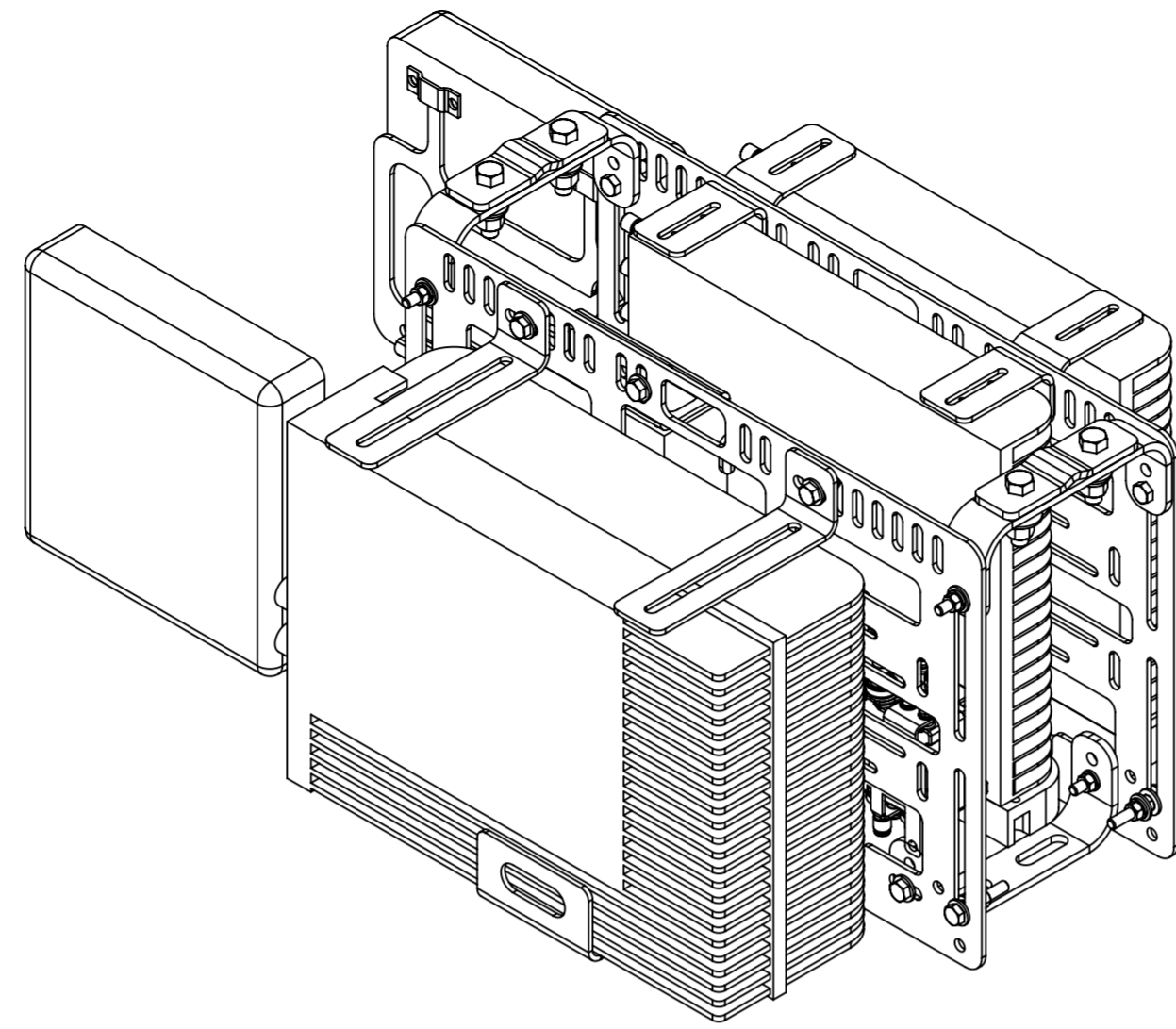
REVISIONS			
REV.	DESCRIPTION	DATE	APPROVED
A	INITIAL RELEASE	LS1146 7/DEC/2021	YW1043 14019PC
B	ADDED NOTE 3.2	LL1090 25MAY22	YC1015 40149132CMO
C	UPDATED MODEL	LL1090 27JUN22	YC1050 40151078CMO
D	DELETED NOTE 3.2 AND TABLE	FZ1024 23AUG22	YC1015 40155293CMO



DENSITY		g/mm ³
MASS	2341.7	grams
VOLUME	745599.1	mm ³
SURFACE AREA	525836.7	mm ²
HEIGHT	305[12.0]	
LENGTH	457[18.0]	
WIDTH	313[12.3]	

COMMSCOPE, INC. OF NORTH CAROLINA

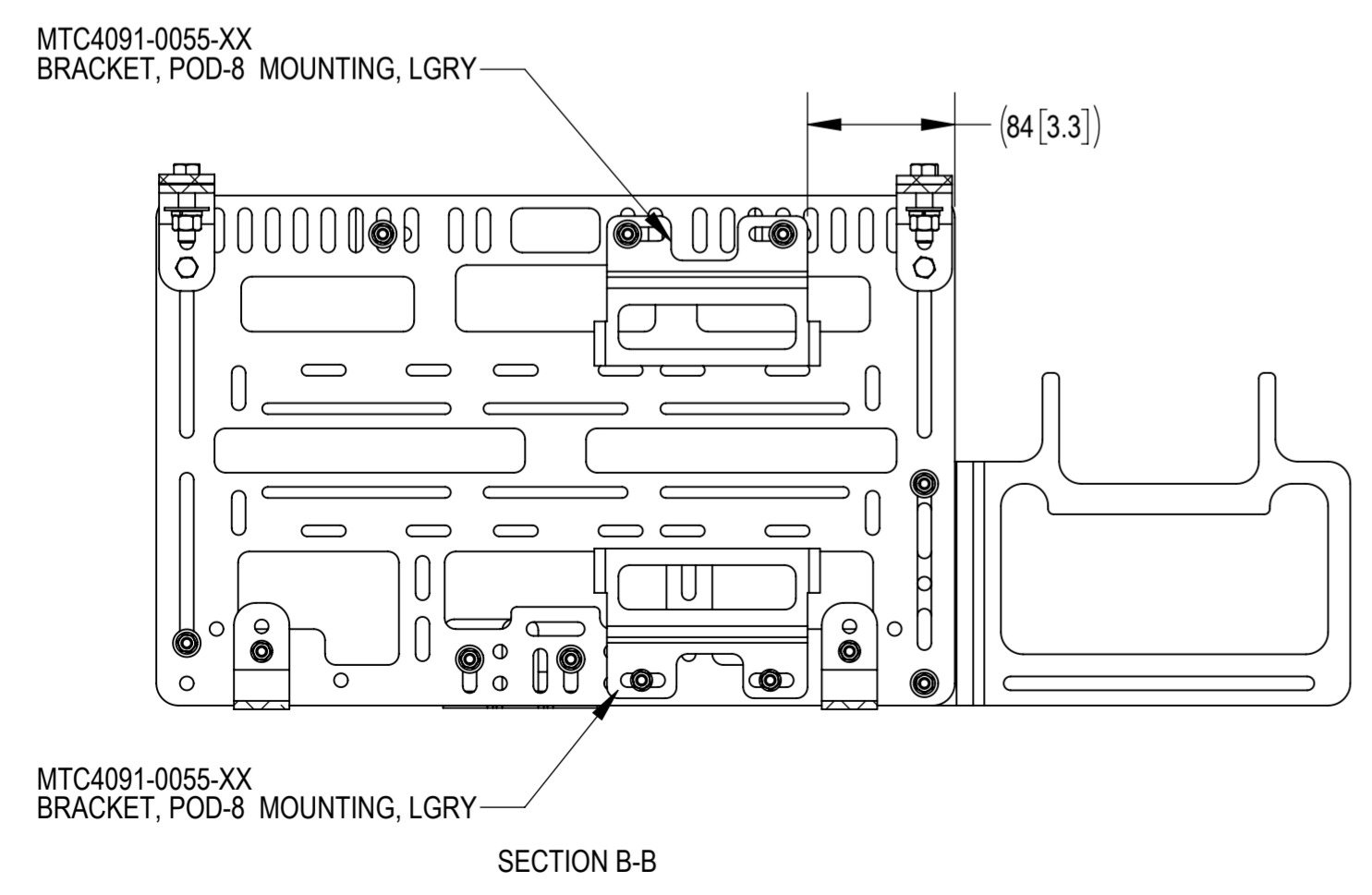
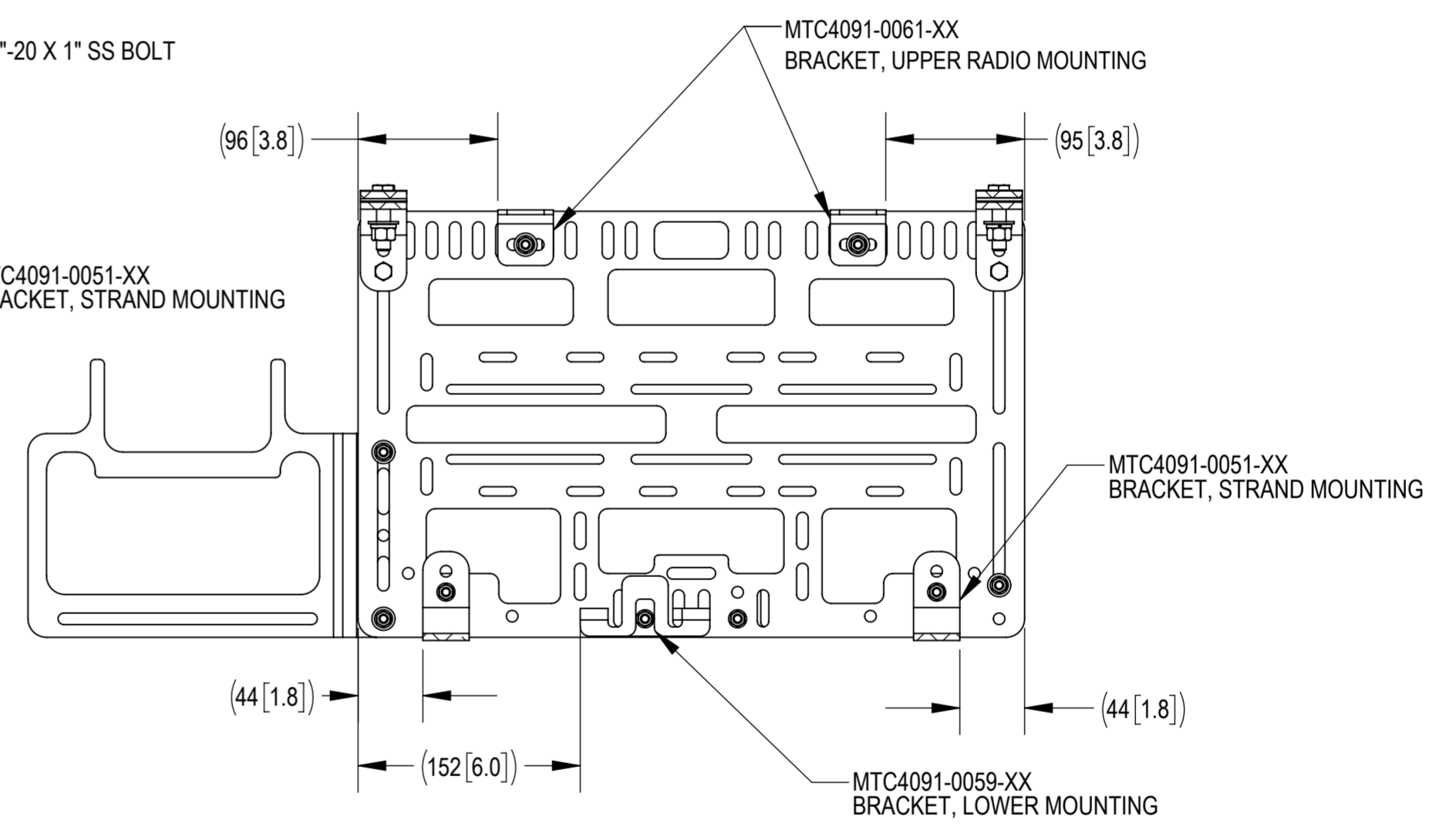
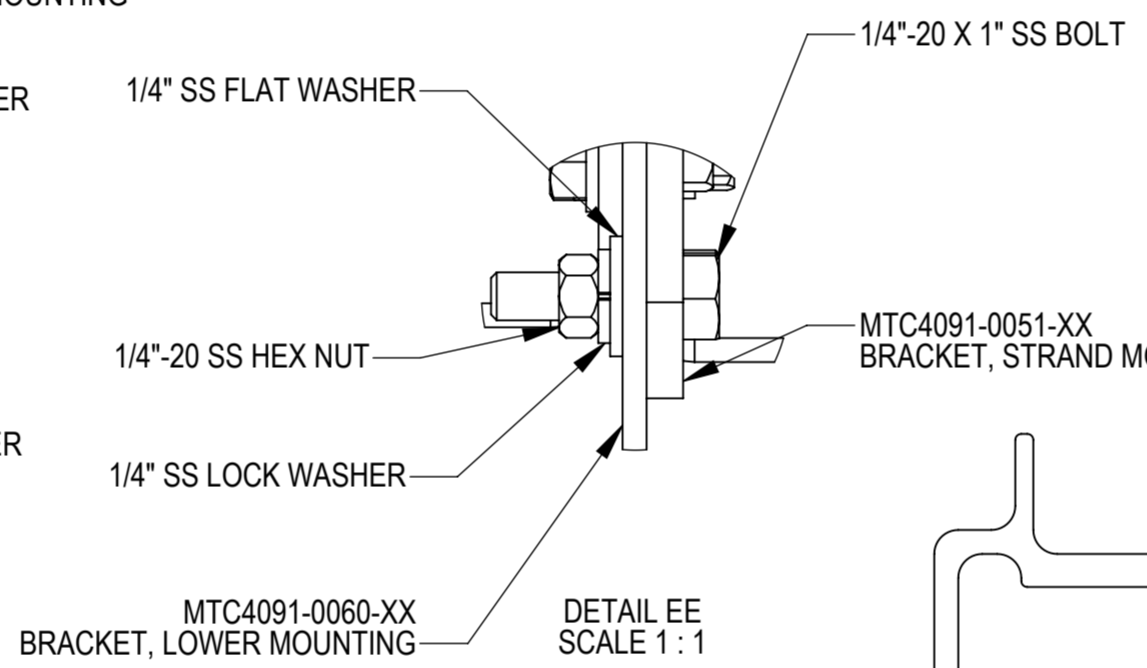
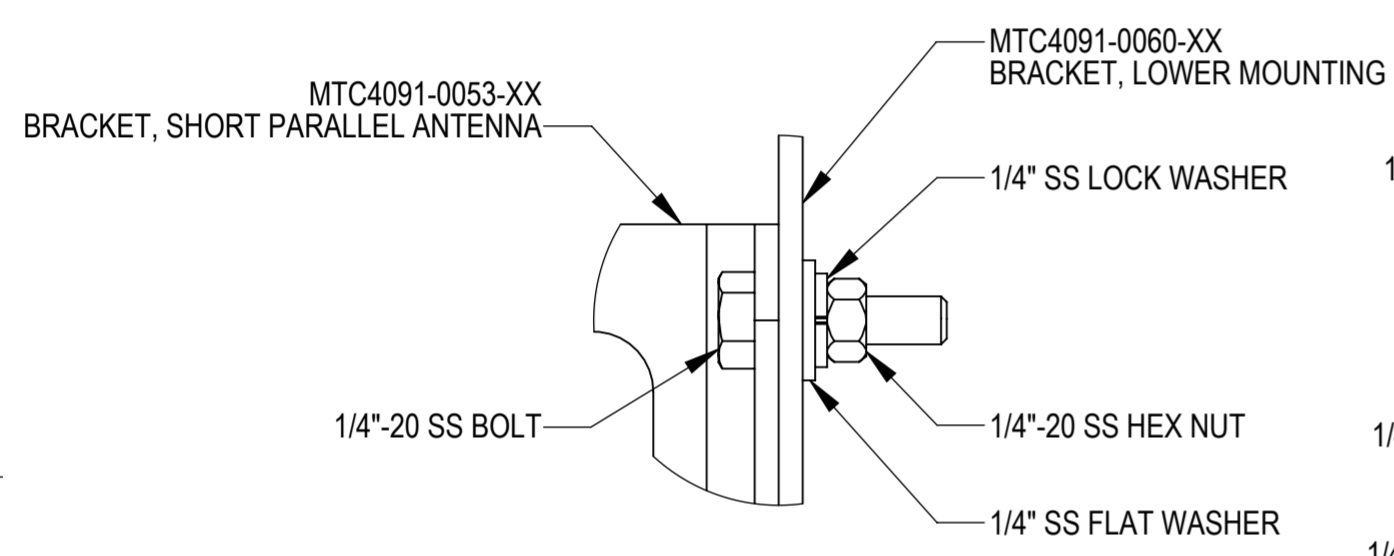
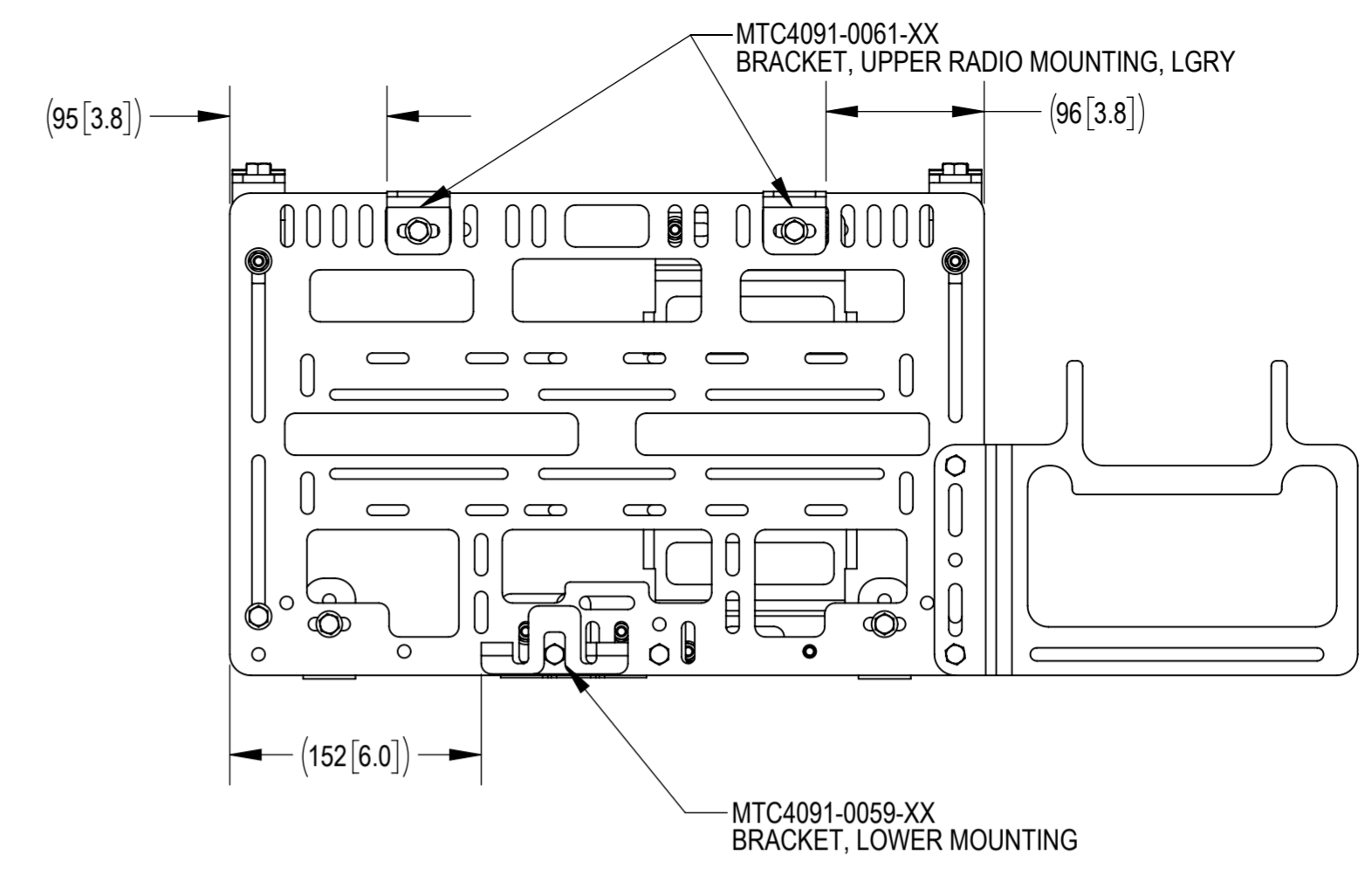
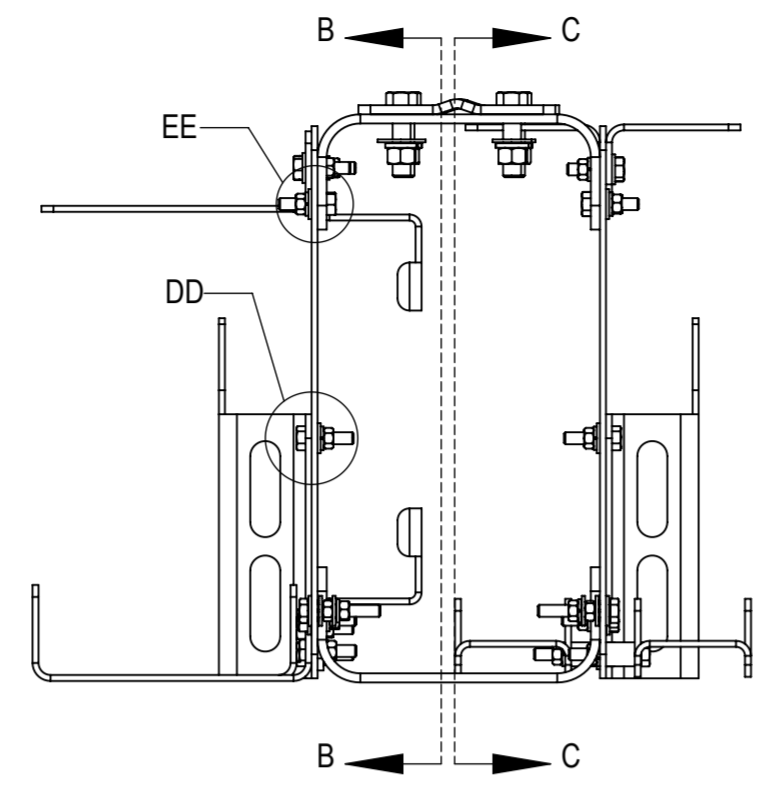
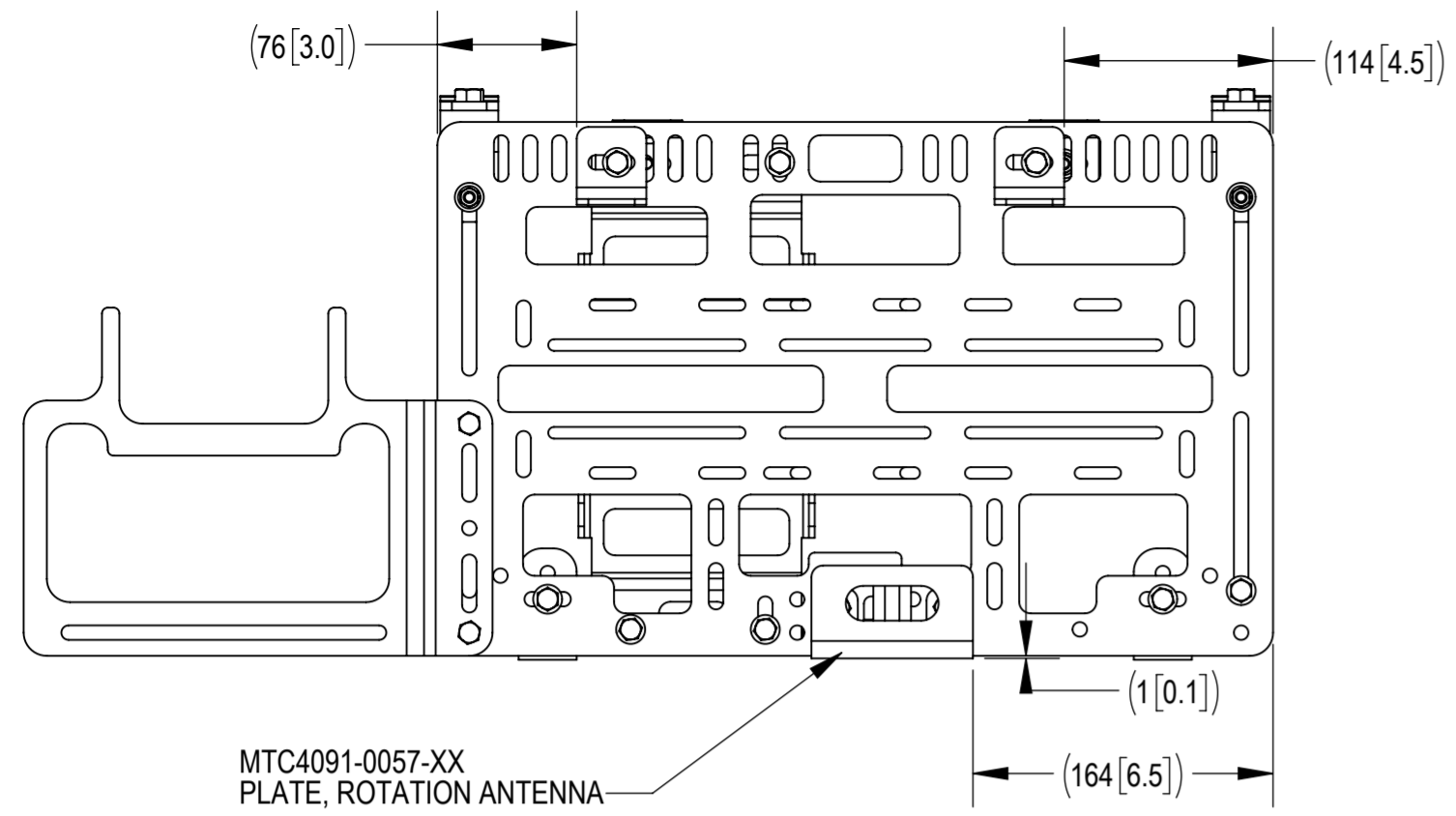
TOLERANCES		SAP MATERIAL MASTER														
0 PLACE X.[X] ± 5[0.2]	2 PLACE .XX[.XXX] ± 1.50[0.060]	SCSTST-ASM-INSTR														
1 PLACE .X[.XX] ± 3.0[0.12]	ANGLES ± 2°															
FINISH NONE	MATERIAL NONE															
<table border="1"> <thead> <tr> <th>NAME</th> <th>DATE</th> <th>TITLE</th> </tr> </thead> <tbody> <tr> <td>CE LL1090</td> <td>27JUN22</td> <td rowspan="5">INSTRUCTION, SMALL CELL STRAND MT ASSY</td> </tr> <tr> <td>RW FZ1024</td> <td>08/24/2022</td> </tr> <tr> <td>AD YC1015</td> <td>08/30/2022</td> </tr> <tr> <td>RE YC1015</td> <td>08/30/2022</td> </tr> <tr> <td>ECN 40155293CMO</td> <td></td> </tr> </tbody> </table>		NAME	DATE	TITLE	CE LL1090	27JUN22	INSTRUCTION, SMALL CELL STRAND MT ASSY	RW FZ1024	08/24/2022	AD YC1015	08/30/2022	RE YC1015	08/30/2022	ECN 40155293CMO		SCALE 1:4
NAME	DATE	TITLE														
CE LL1090	27JUN22	INSTRUCTION, SMALL CELL STRAND MT ASSY														
RW FZ1024	08/24/2022															
AD YC1015	08/30/2022															
RE YC1015	08/30/2022															
ECN 40155293CMO																
DOCUMENT NO. SCSTST-ASM-INSTR																
SIZE A2	Auth Group INSL	MODEL														
VERSION 02	RE	REVISION C														
DRAWING		SHEET														
VERSION 03	STATUS RE	REVISION D														
		1 OF 6														



SECTION A-A

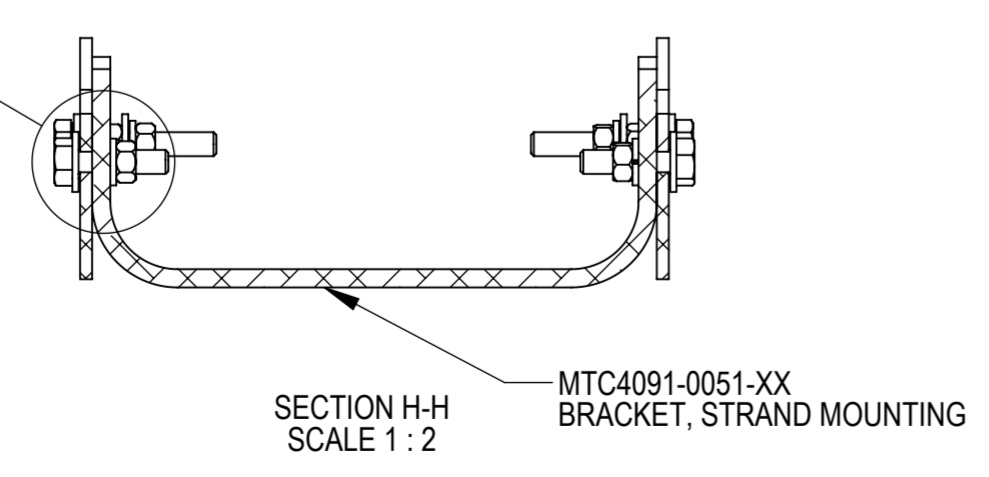
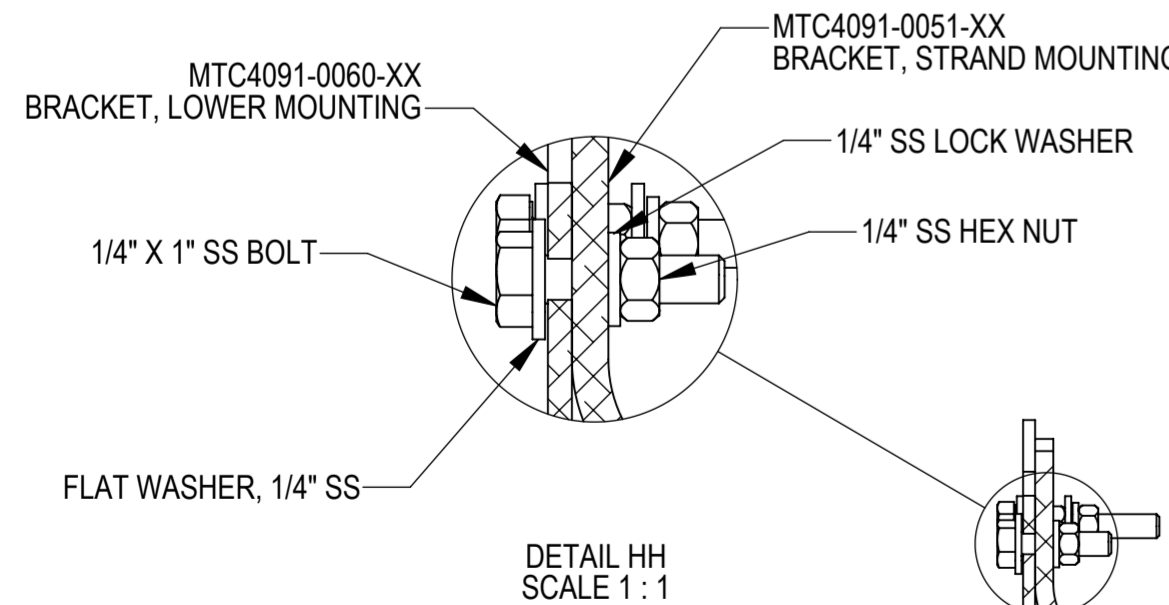
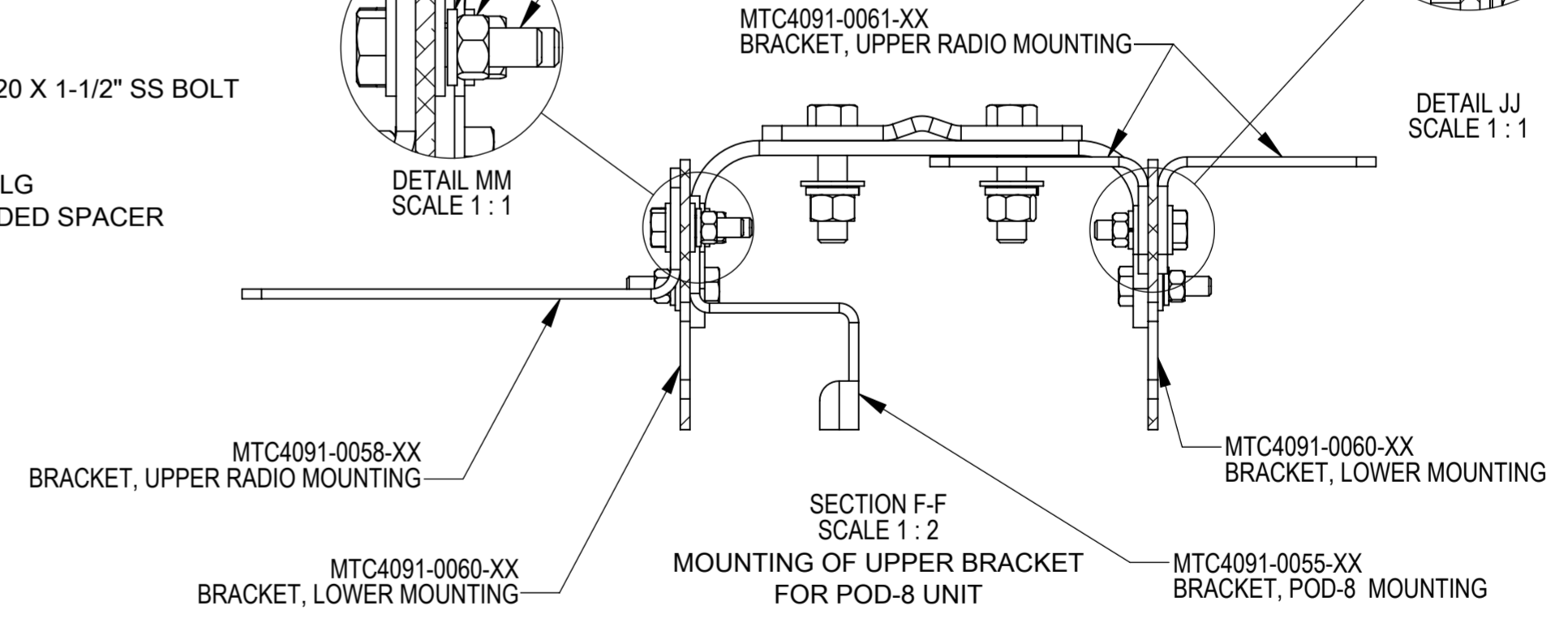
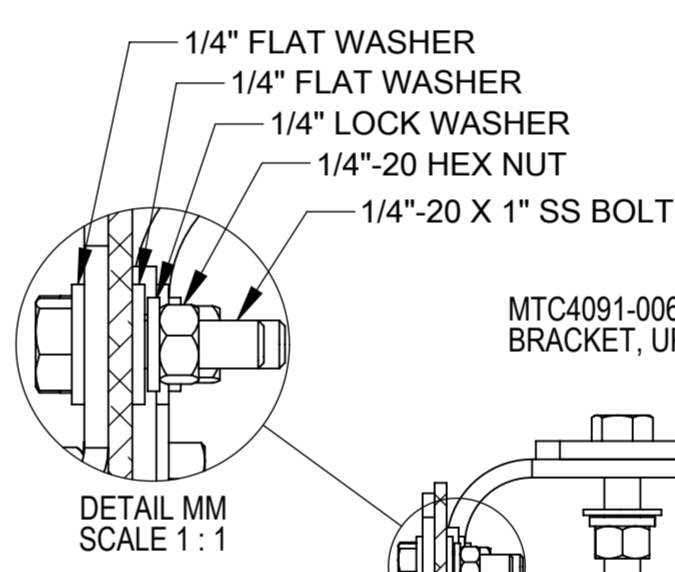
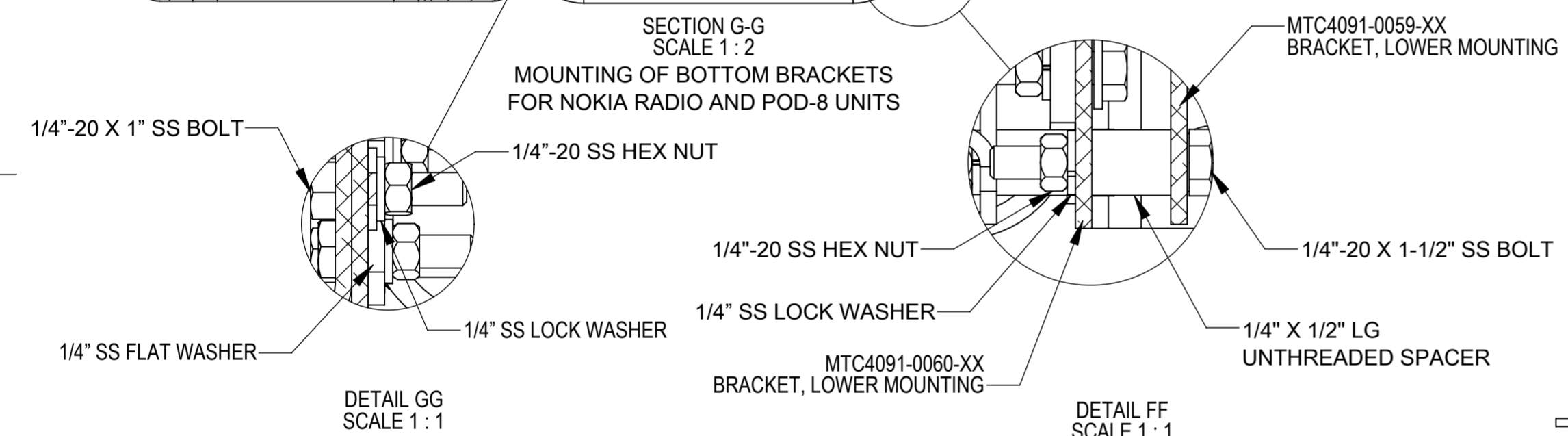
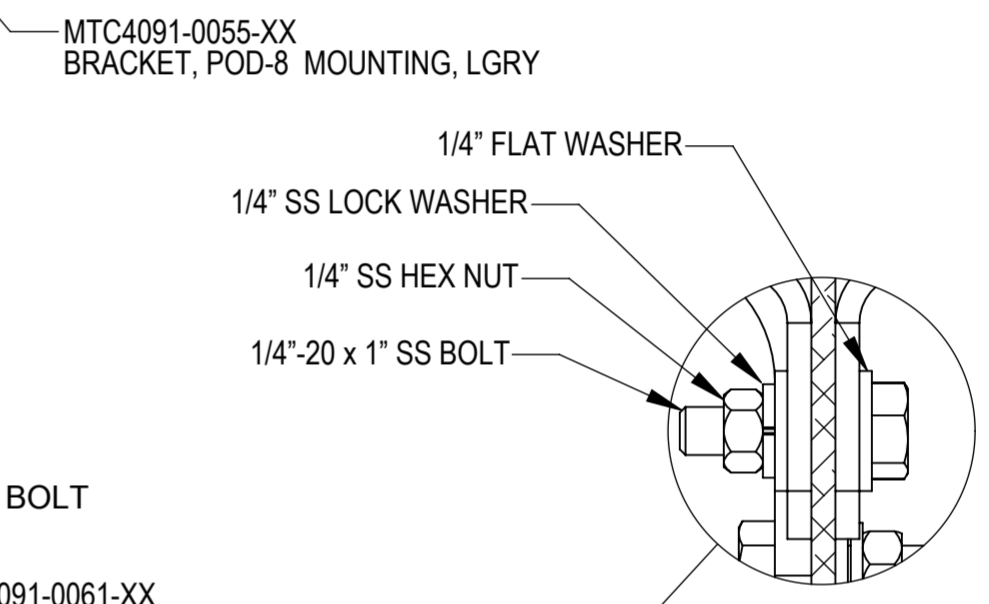
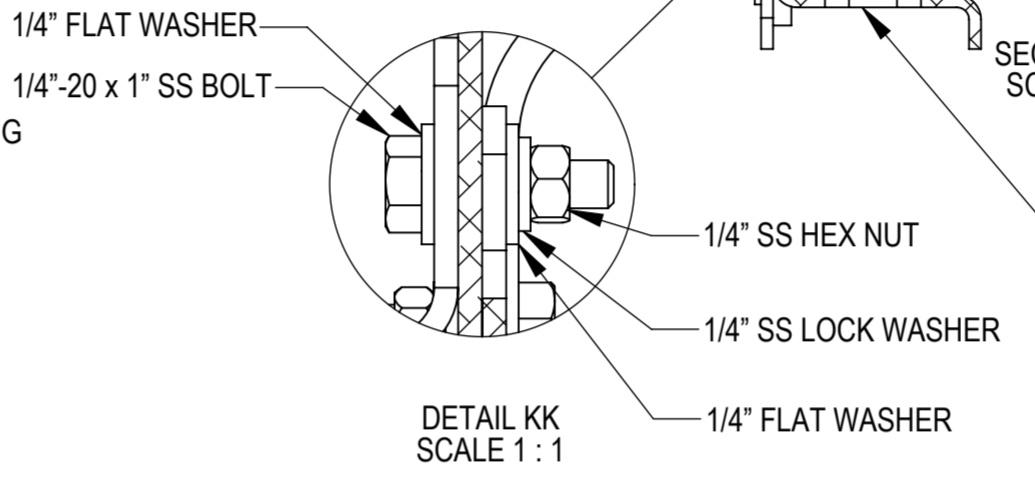
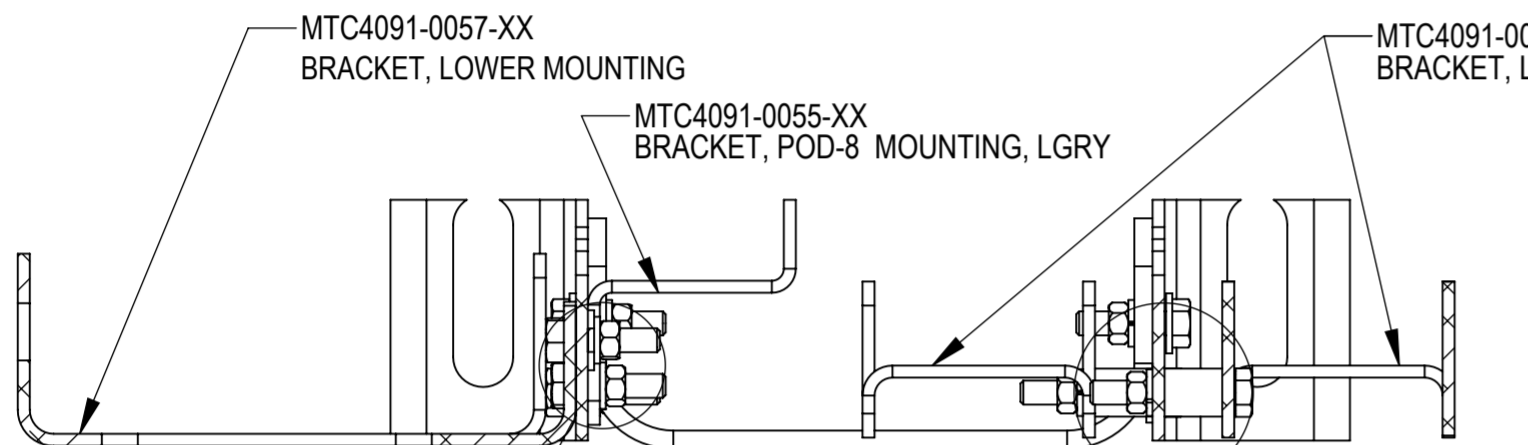
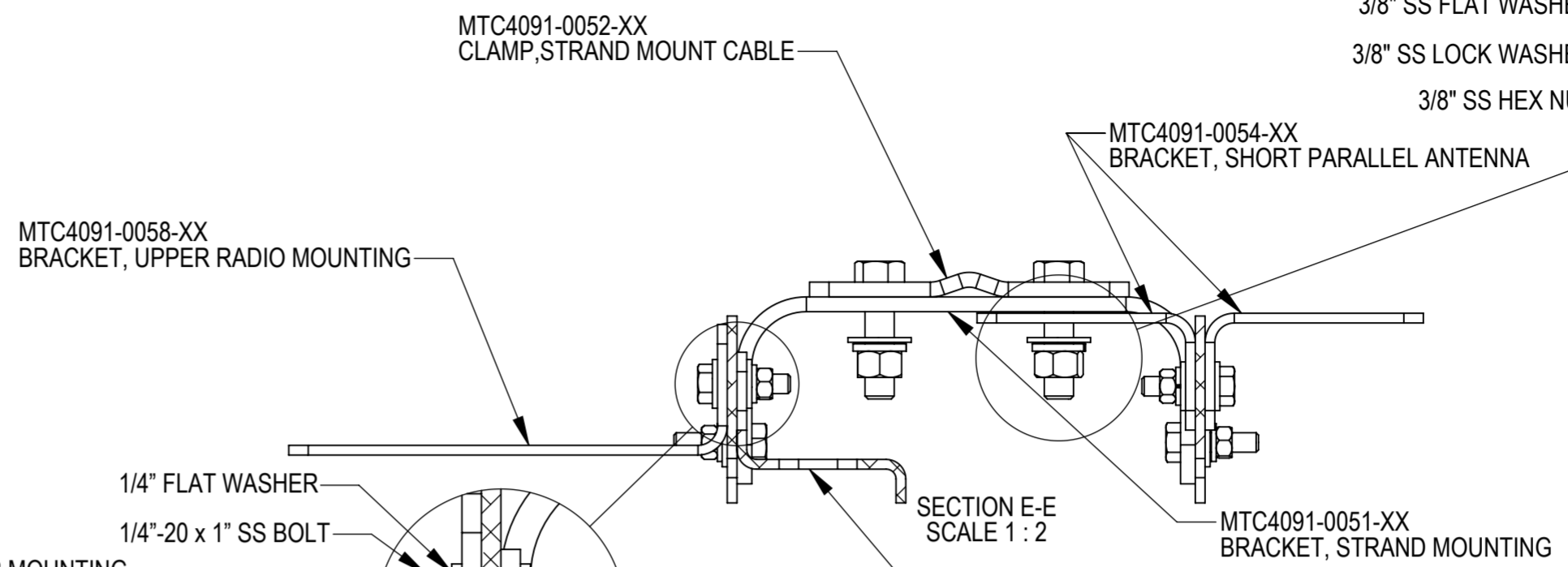
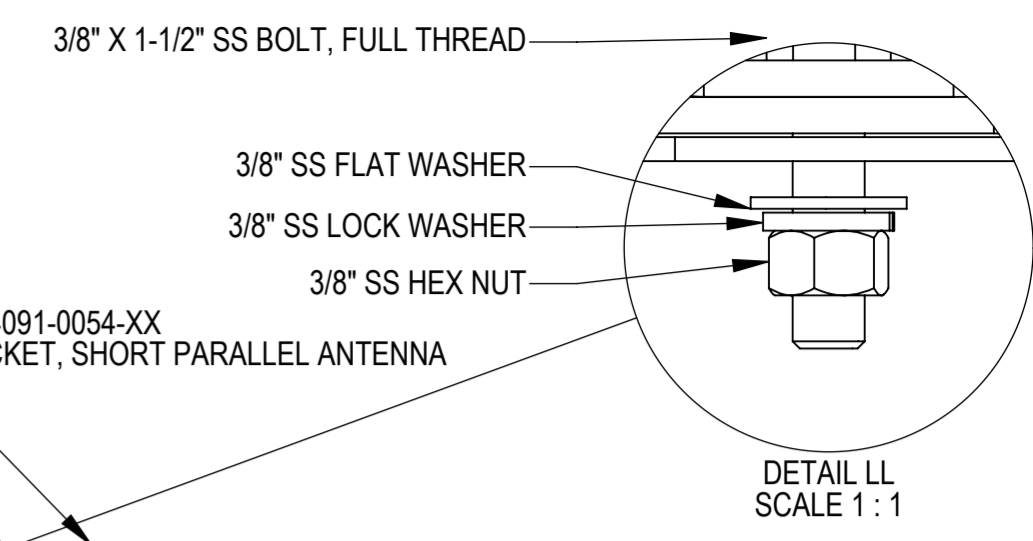
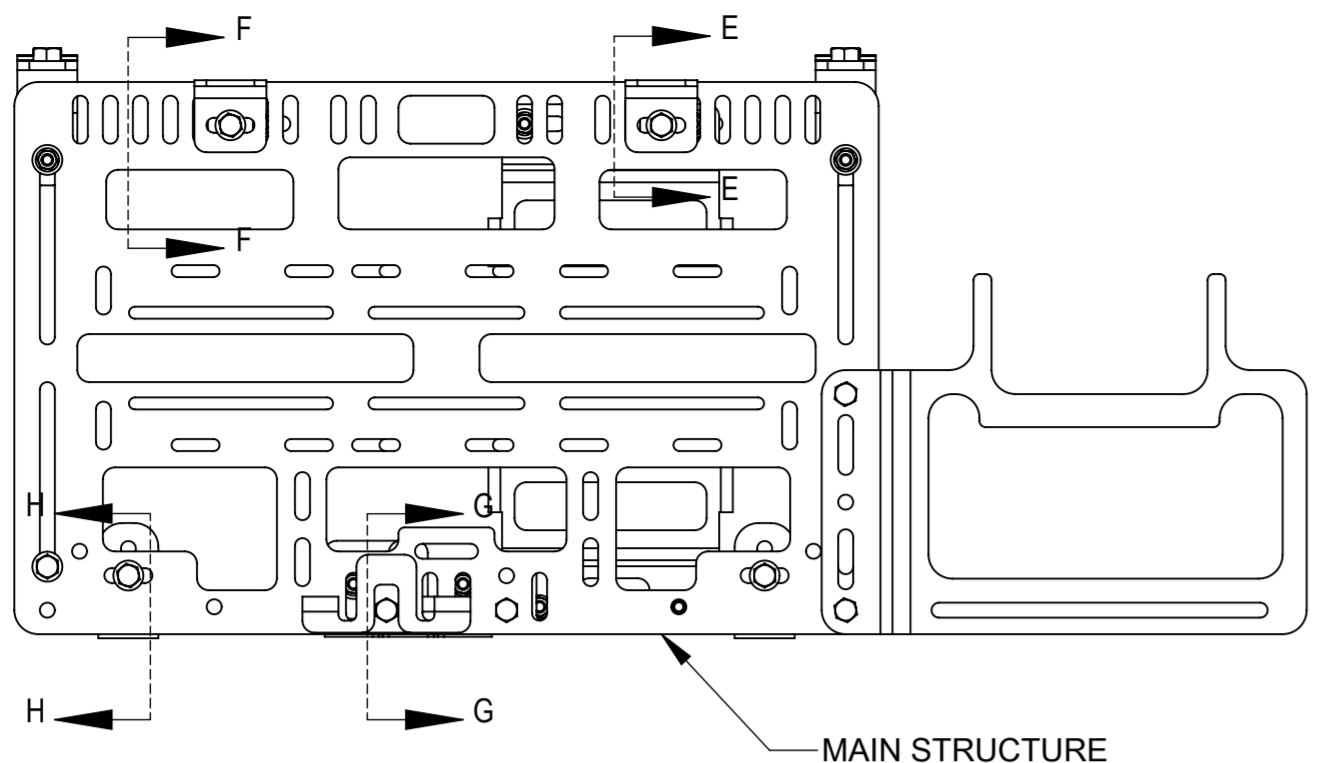
PARALLEL CONFIGURATION FOR MOUNTING
NOKIA 5W AIRSCALE AND 20W AWHHF RADIO

COMMSCOPE, INC. OF NORTH CAROLINA				
TITLE INSTRUCTION, SMALL CELL STRAND MT ASSY				
SIZE A2	SCALE 1:4	DOCUMENT NO. SCSTST-ASM-INSTR		
		DRAWING		SHEET
		VERSION 03	STATUS RE	REVISION D
				2 OF 6



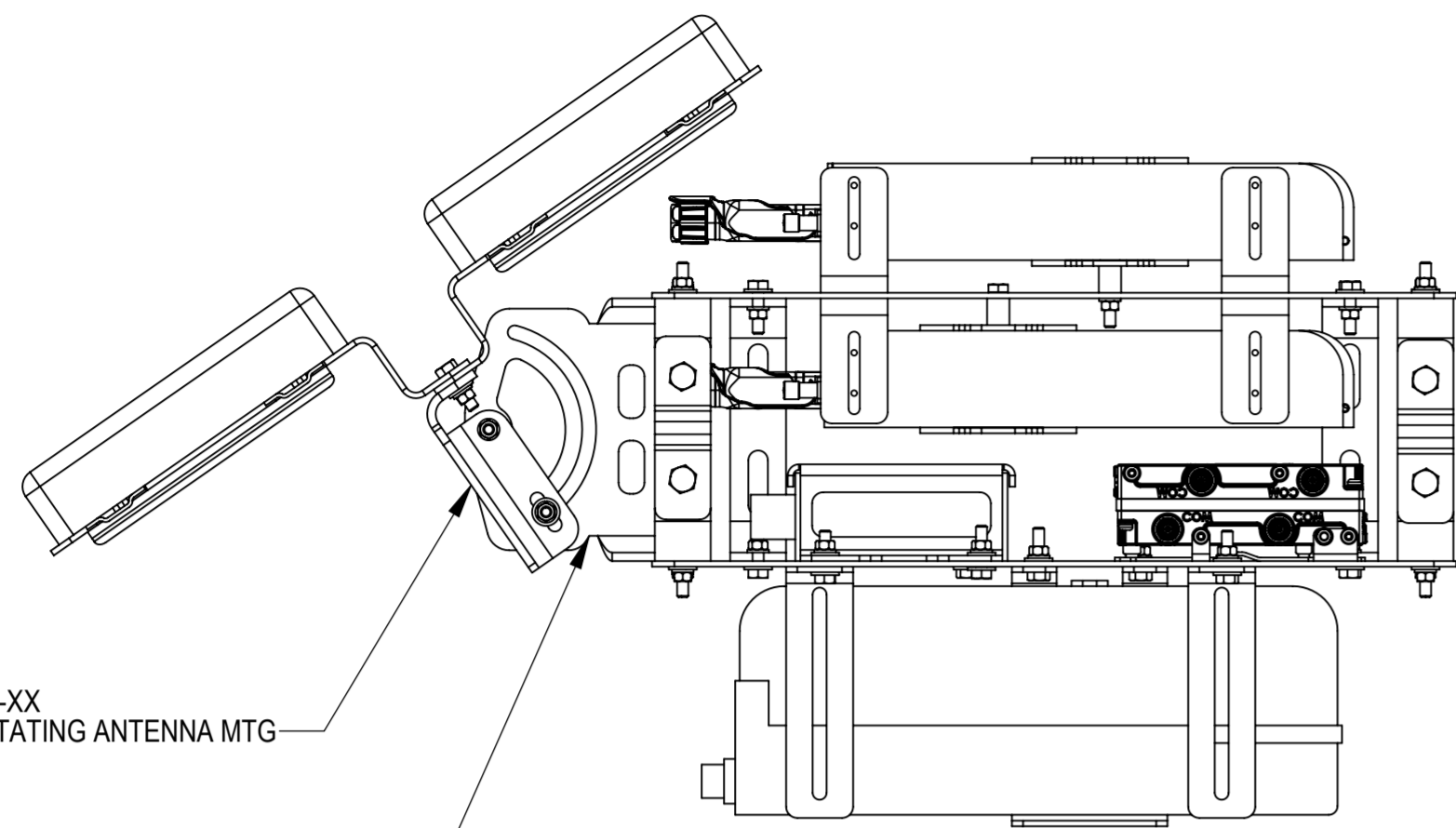
**PARALLEL CONFIGURATION FOR MOUNTING
NOKIA 5W AIRSCALE AND 20W AWHHF RADIO**

COMMSCOPE, INC. OF NORTH CAROLINA				
TITLE INSTRUCTION, SMALL CELL STRAND MT ASSY				
SIZE A2	SCALE 1:4	DOCUMENT NO. SCSTST-ASM-INSTR		
DRAWING		REVISION		SHEET
VERSION 03	STATUS RE	REVISION D	3 OF 6	



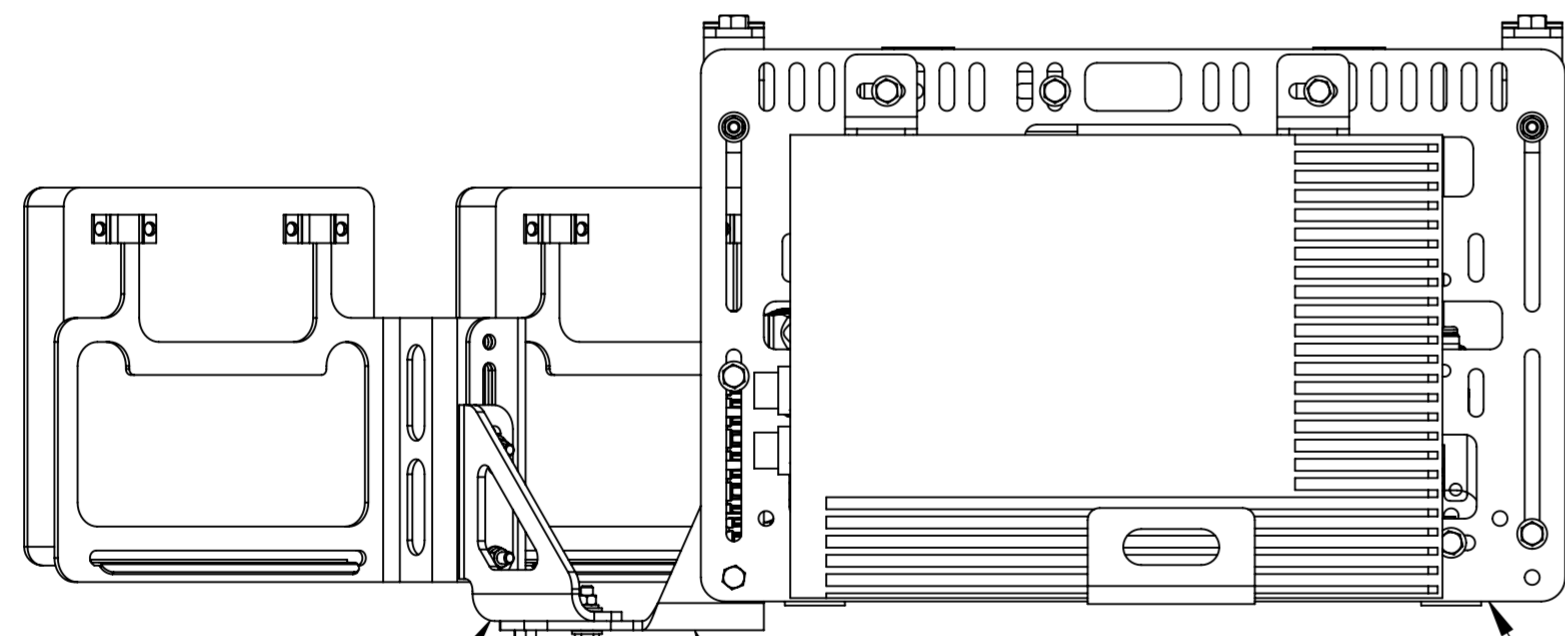
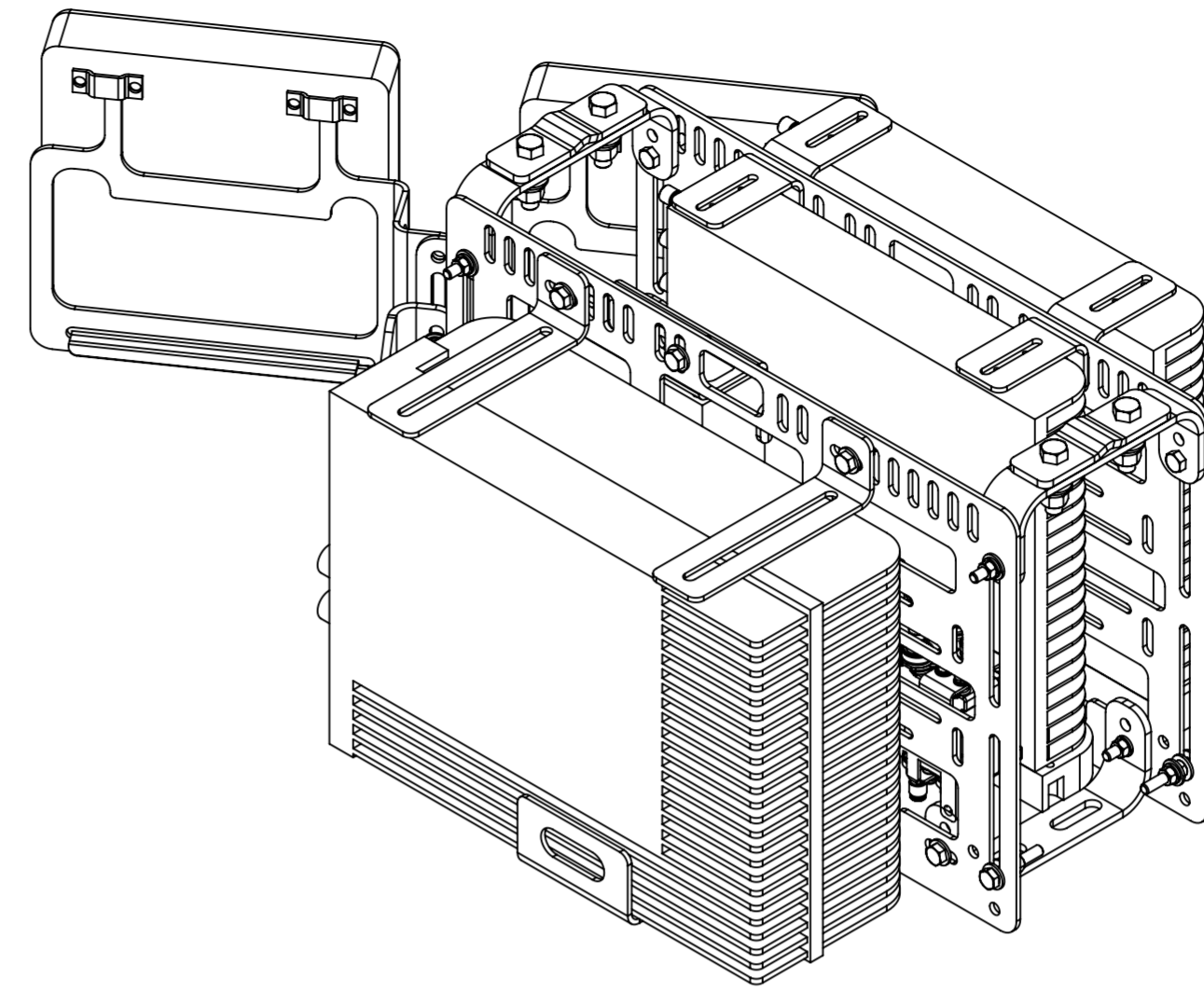
MOUNTING DETAILS FOR MOUNTING BRACKETS TO THE PLATE, RADIO MOUNTING

COMMSCOPE, INC. OF NORTH CAROLINA				
TITLE INSTRUCTION, SMALL CELL STRAND MT ASSY				
SIZE A2	SCALE 1:4	DOCUMENT NO. SCSTST-ASM-INSTR		
DRAWING				SHEET
VERSION 03	STATUS RE	REVISION D	4 OF 6	



MTC4091-0033-XX
BRACKET, ROTATING ANTENNA MTG

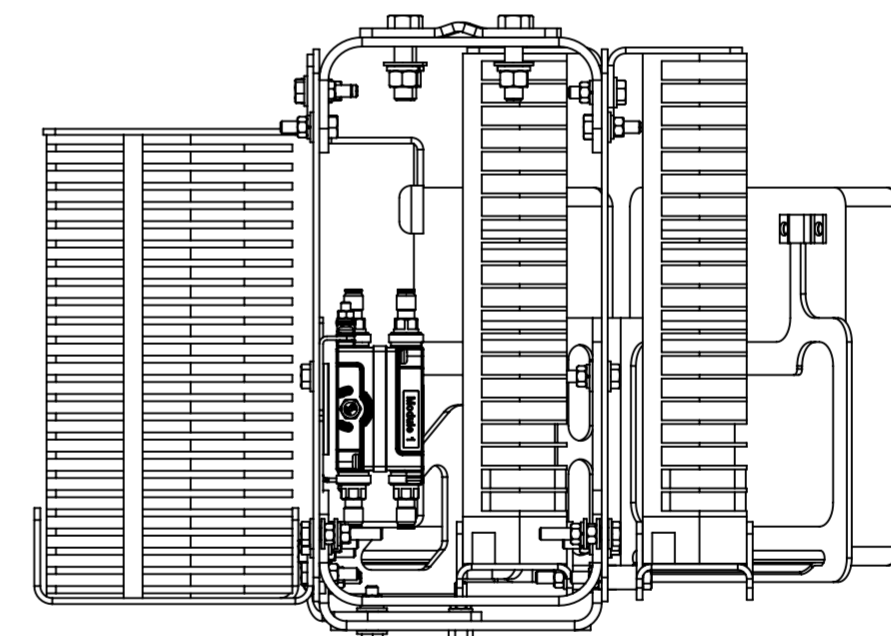
MTC4091-0056-XX
PLATE, ROTATION ANTENNA



MAIN STRUCTURE

MTC4091-0033-XX
BRACKET, ROTATING ANTENNA MTG

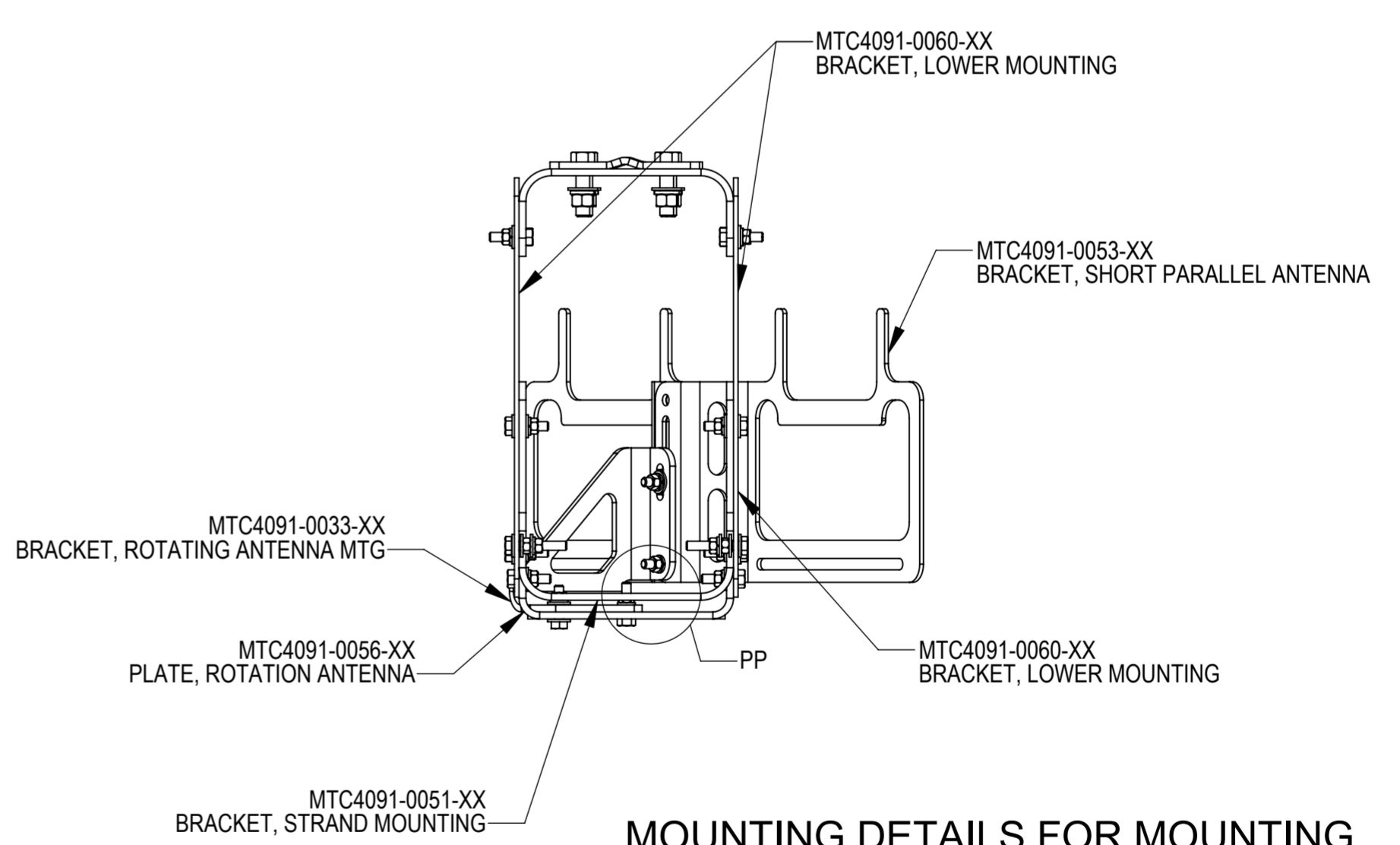
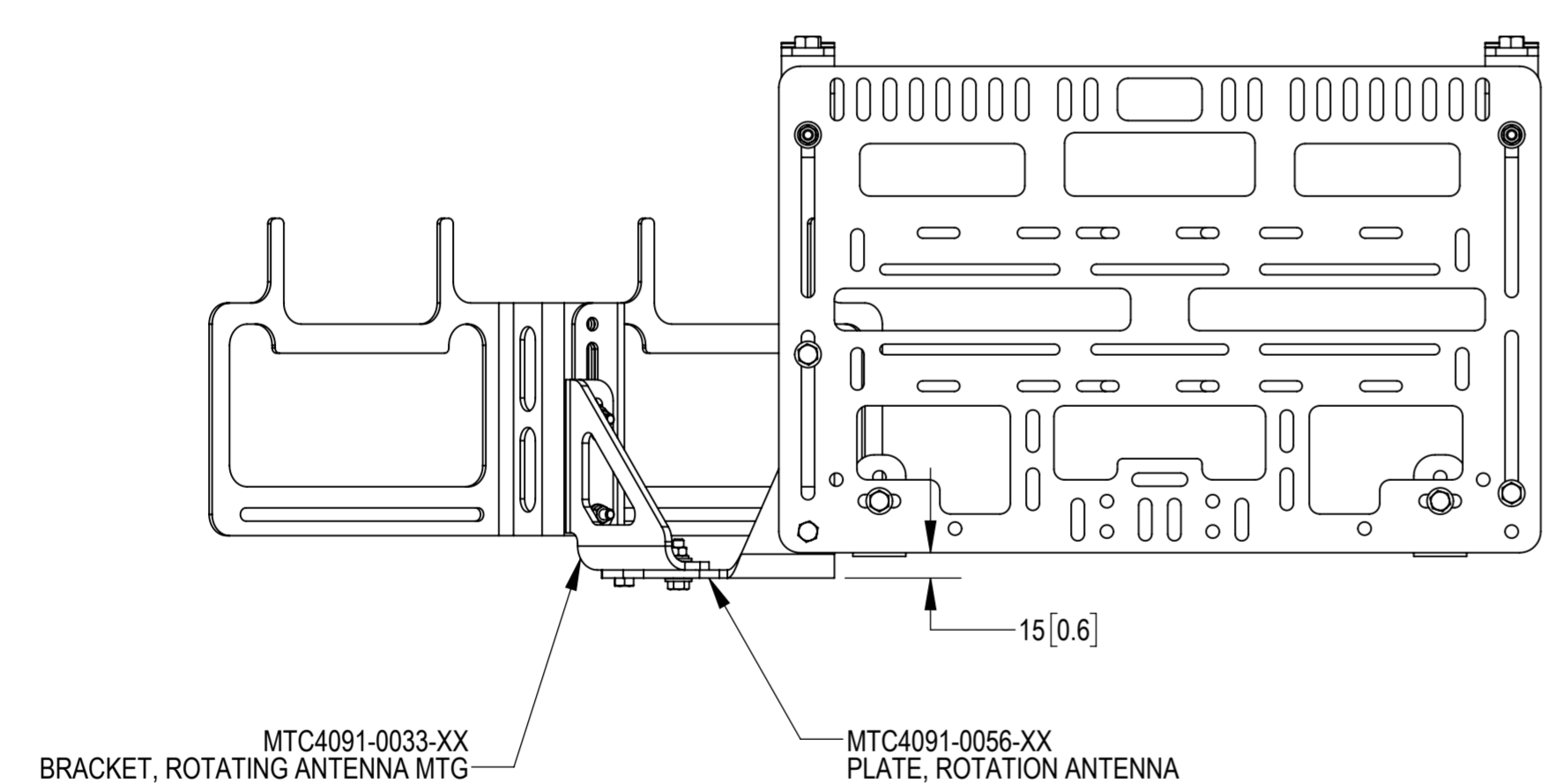
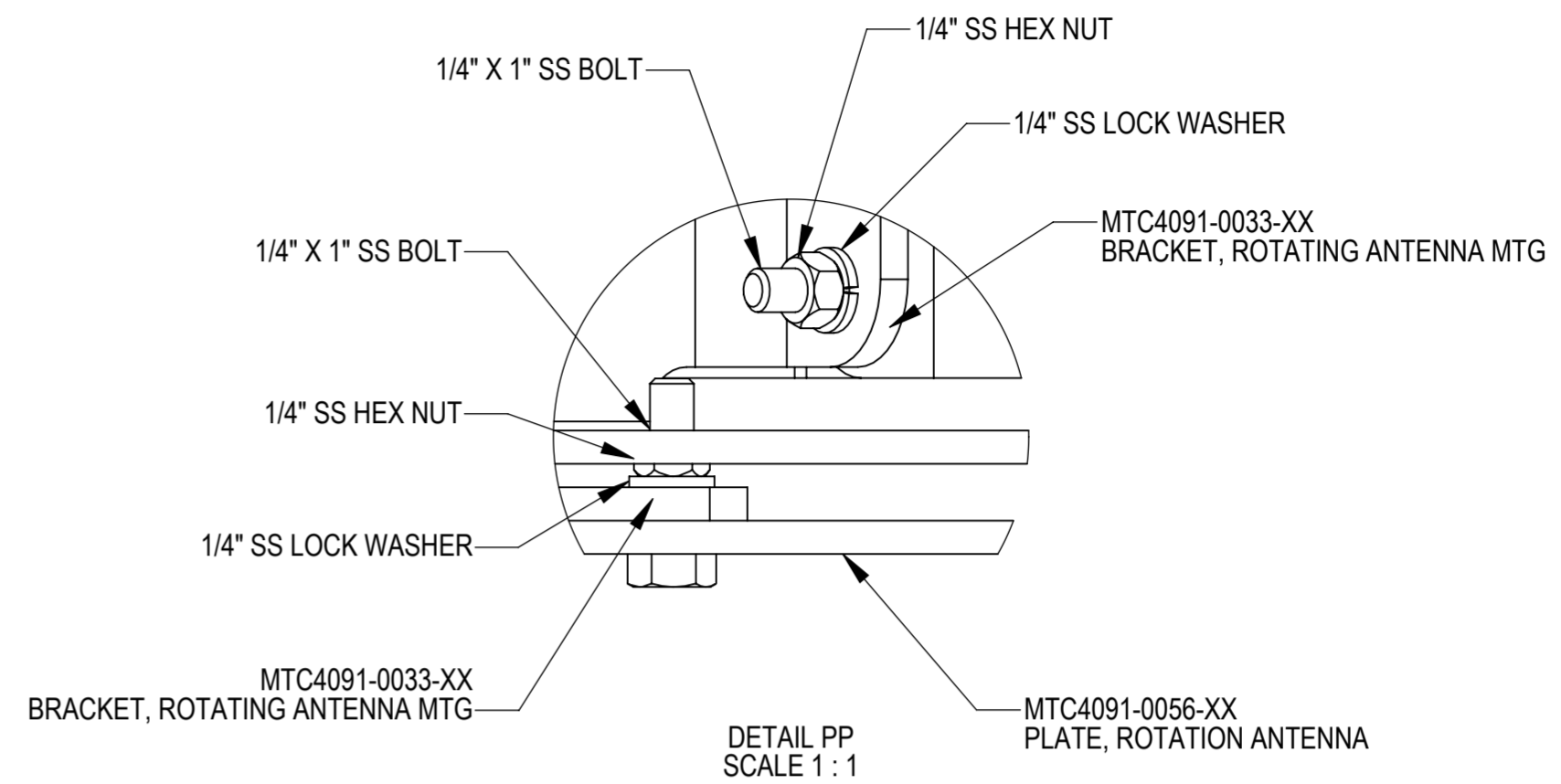
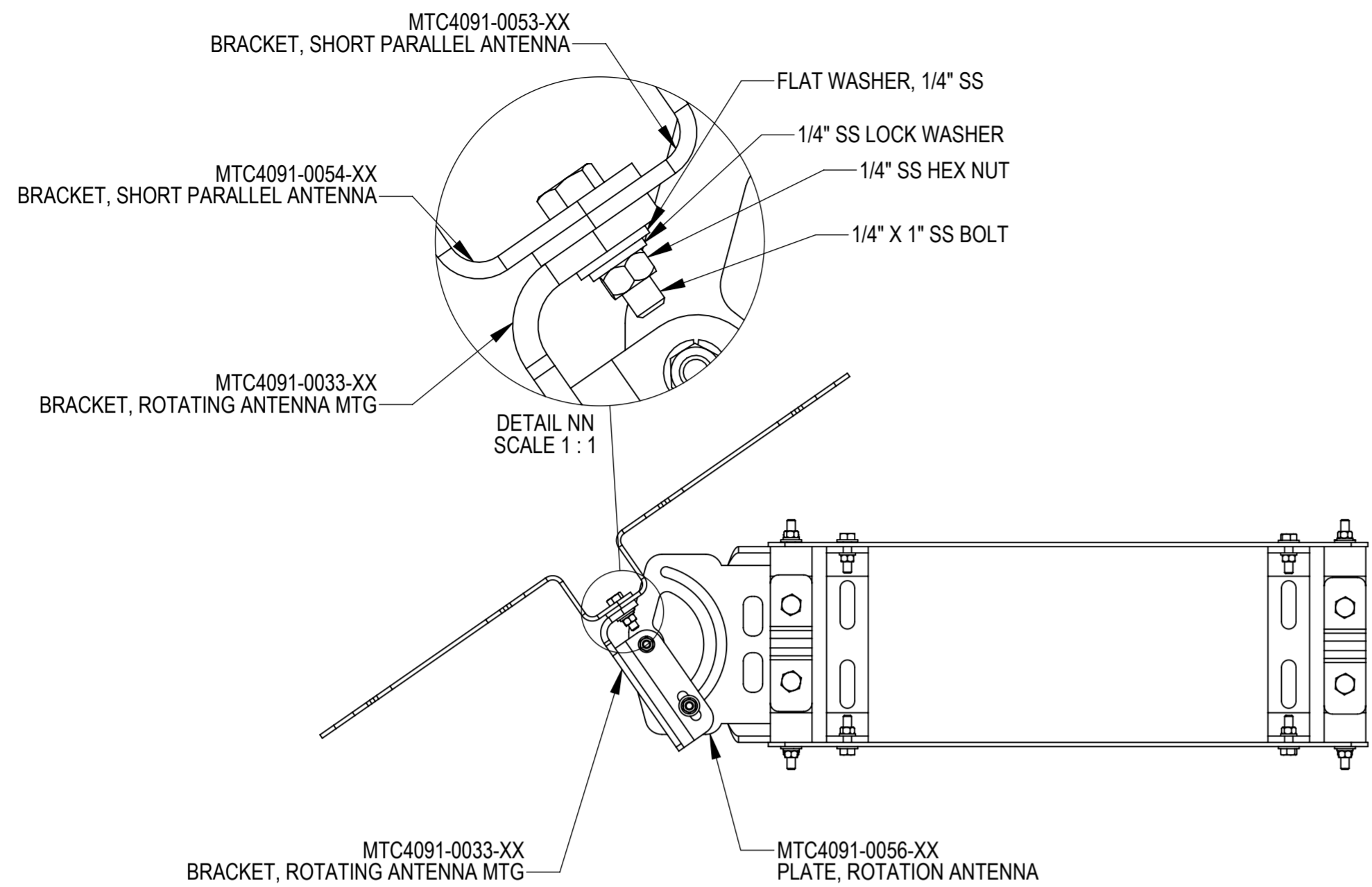
MTC4091-0056-XX
PLATE, ROTATION ANTENNA



ROTATION CONFIGURATION FOR MOUNTING NOKIA 5W AIRSCALE AND 20W AWHHF RADIO

COMMSCOPE, INC. OF NORTH CAROLINA				
TITLE INSTRUCTION, SMALL CELL STRAND MT ASSY				
SIZE A2	SCALE 1:8	DOCUMENT NO. SCSTST-ASM-INSTR		
DRAWING				SHEET
VERSION 03	STATUS RE	REVISION D	5 OF 6	

© 2022 CommScope, Inc. Confidential



MOUNTING DETAILS FOR MOUNTING DIRECTIONAL ANTENNA

COMMSCOPE, INC. OF NORTH CAROLINA				
TITLE INSTRUCTION, SMALL CELL STRAND MT ASSY				
SIZE A2	SCALE 1:4	DOCUMENT NO. SCSTST-ASM-INSTR		
		DRAWING		SHEET
		VERSION	STATUS	REVISION
		03	RE	D
				SHEET 6 OF 6