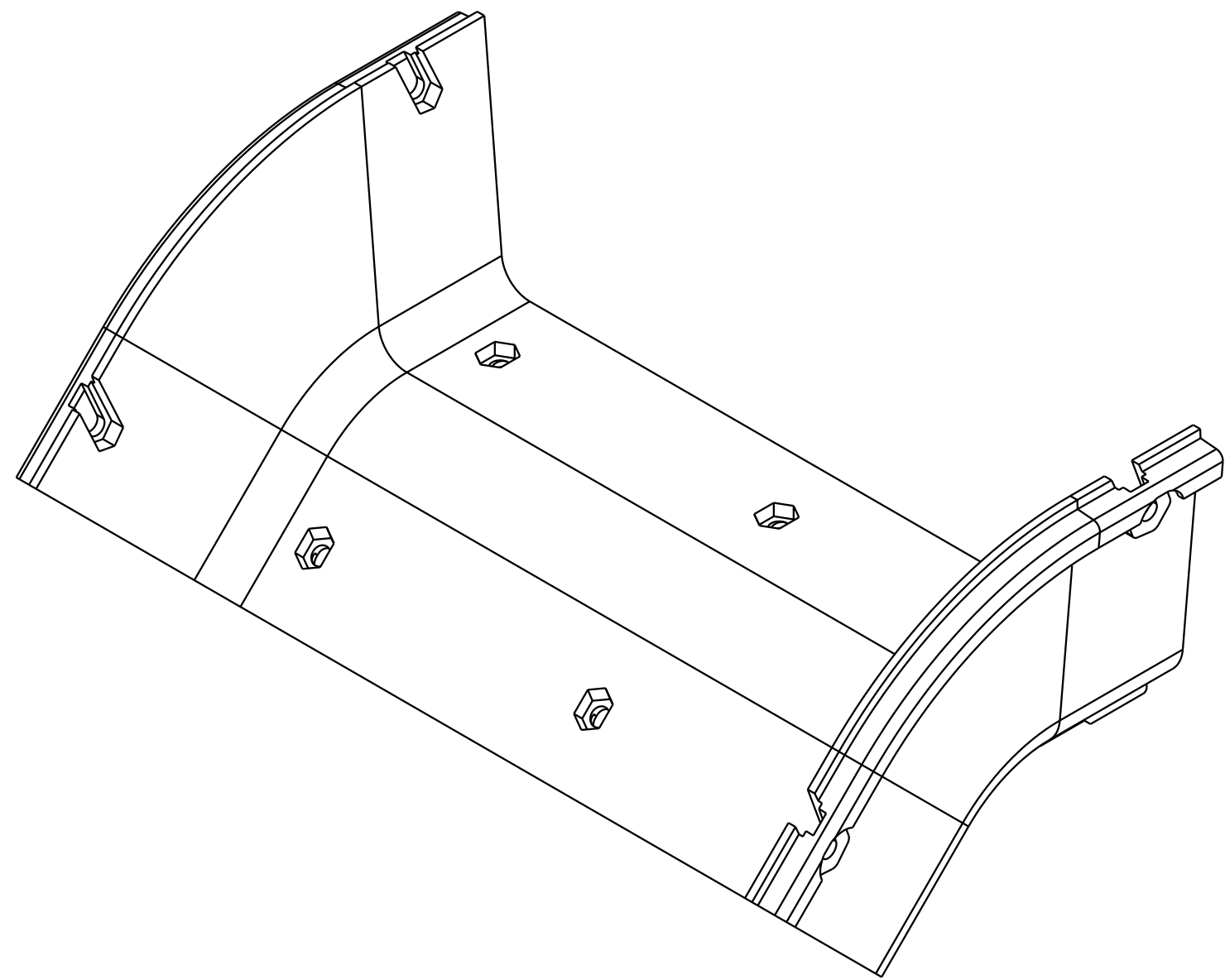
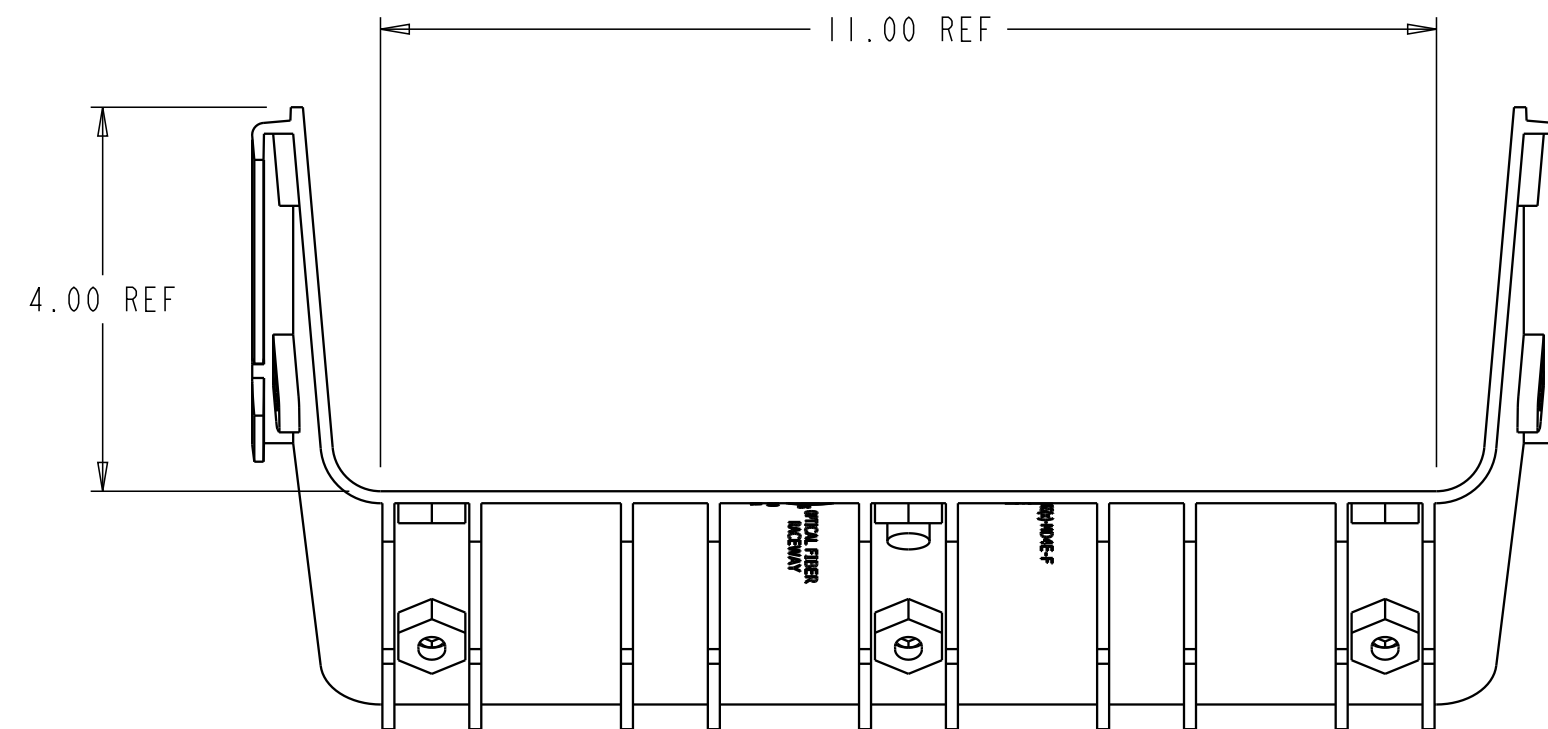
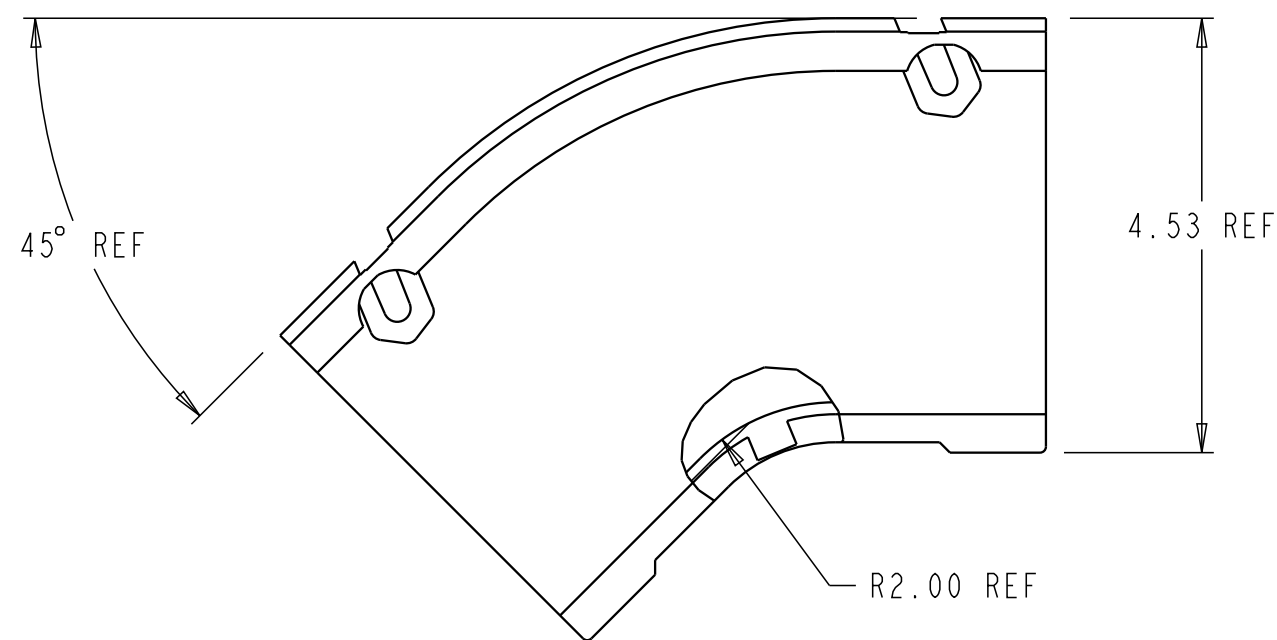
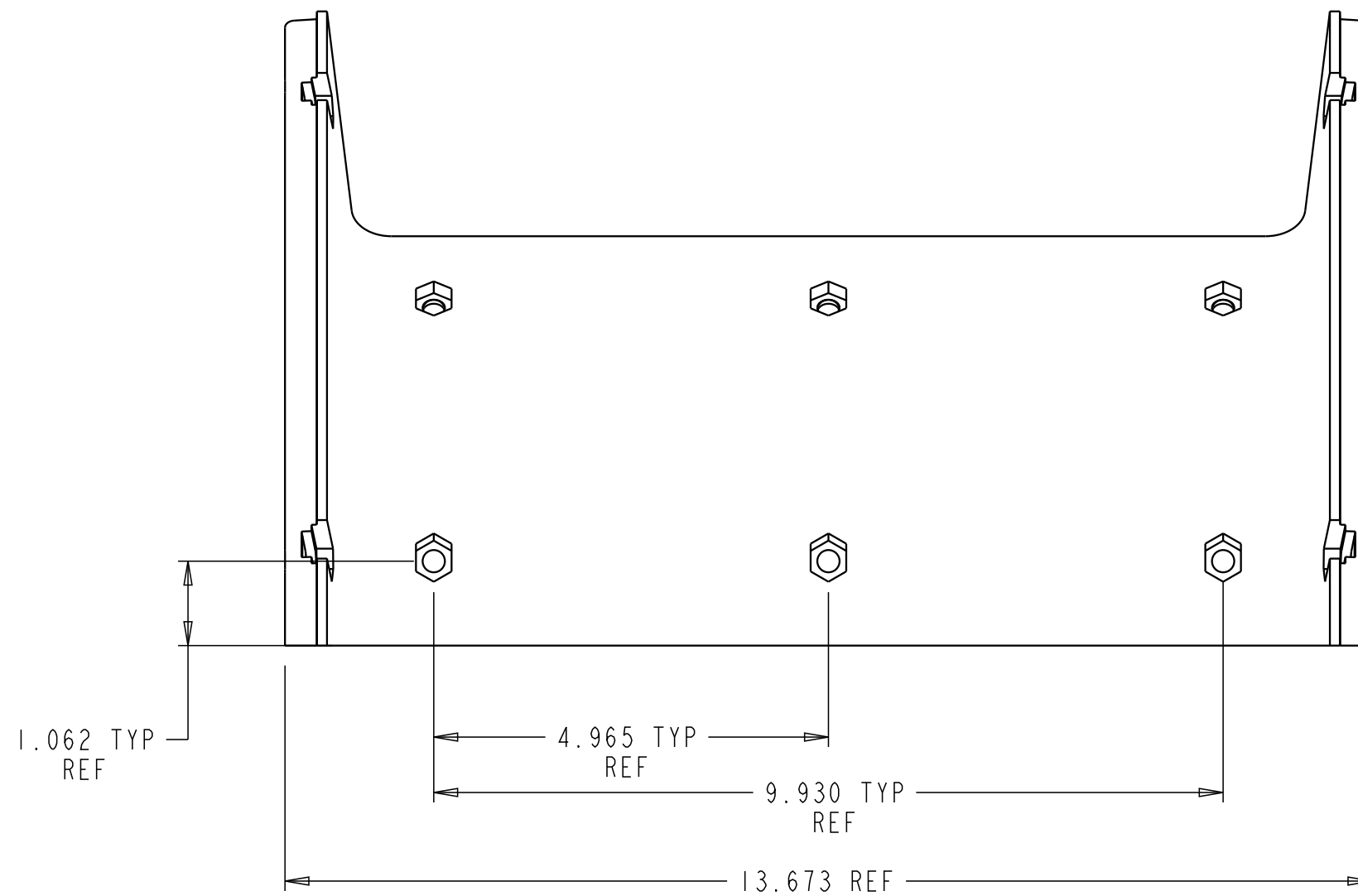


REV	MCO	DWN	DATE
B	20238853	OCM	28-APR-08
C	40031755MCO	OAVL	24-JUN-16



SCALE 0.500



NOTES:

- MATERIAL IS SELF EXTINGUISHING WITH A UL 94 RATING OF V-0.

COMMSCOPE, INC.

© 2016 COMMSCOPE, INC. CONFIDENTIAL
 NOTICE: THESE DRAWINGS AND SPECIFICATIONS ARE THE PROPRIETARY PROPERTY OF COMMSCOPE, INC. AND MAY BE USED ONLY FOR THE SPECIFIC PURPOSE AUTHORIZED IN WRITING BY COMMSCOPE, INC.

ALL DIMS AND TOLERANCES ARE INCHES UNLESS OTHERWISE SPECIFIED

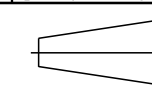
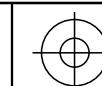
DO NOT SCALE DRAWING

FGS-MH4E-F	YELLOW
FGSB-MH4E-F	BLACK
CATALOG NO.	COLOR

TITLE	ELBOW, 45 HORIZ, 4X12 INSTALLATION DWG
DRAWING NUMBER	1044466_ADC

ENGR: T. HAATAJA
 DWN: T. HAATAJA

SHT. 1 OF 1



**DIMENSIONS IN INCHES
 THIRD ANGLE PROJECTION**