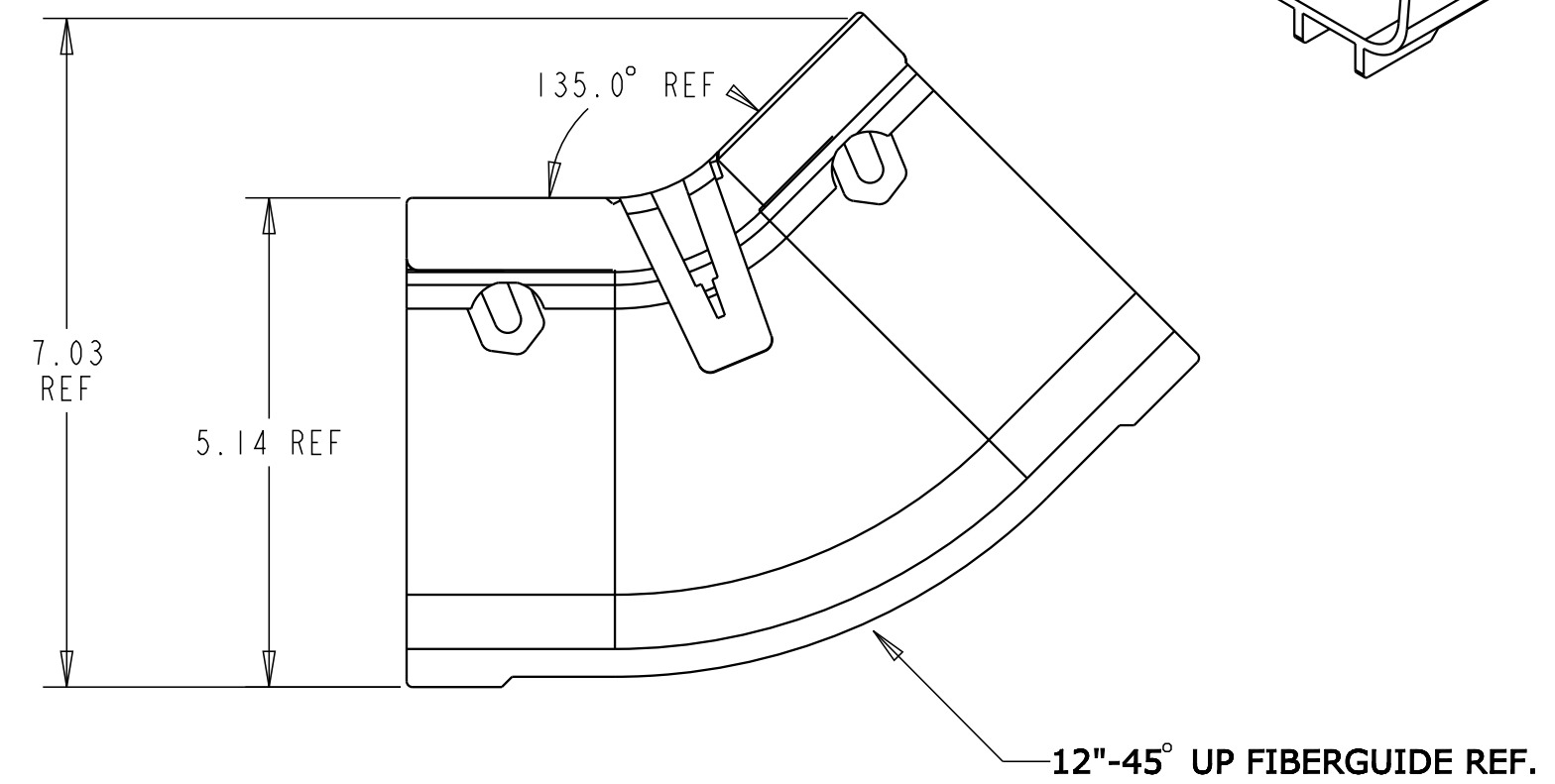
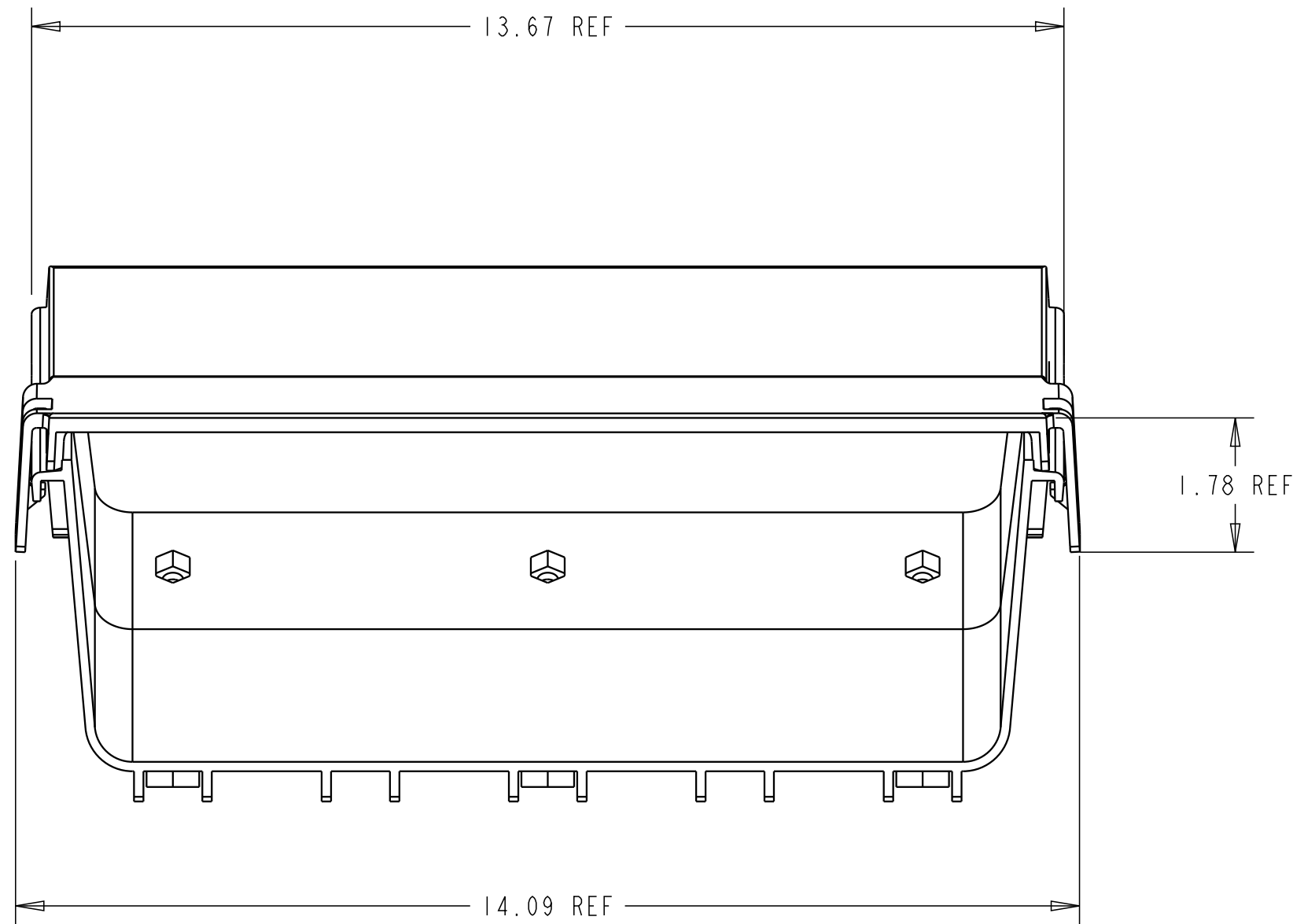


REV.	MCO	DWN	DATE
D	40026679MCO	HUH	05-DEC-15
E	40031893MCO	OAVL	30-JUN-16

COVER



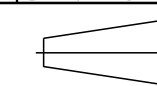
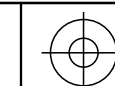
NOTES:

1. SNAP COVER INTO PLACE, AS SHOWN.

COMMSCOPE, INC.

FGSB-MU4E-F	BLACK
FGS-MU4E-F	YELLOW
CATALOG NUMBER	COLOR

<small>© 2016 COMMSCOPE, INC. CONFIDENTIAL NOTICE: THESE DRAWINGS AND SPECIFICATIONS ARE THE PROPRIETARY PROPERTY OF COMMSCOPE, INC. AND MAY BE USED ONLY FOR THE SPECIFIC PURPOSE AUTHORIZED IN WRITING BY COMMSCOPE, INC.</small>		TITLE 12" - 45° UP FIBERGUIDE COVER, INSTALL DRW.	
<small>ALL DIMS AND TOLERANCES ARE INCHES UNLESS OTHERWISE SPECIFIED</small>	<small>.XX:±.02 .XXX:±.010 ANGULAR:±2°</small>	C SIZE DRAWING NUMBER 1162957_ADC	E REV SHT. 1 OF 1
DO NOT SCALE DRAWING		ENGR: DEREK DERKS DWN: CRAIG ZELASKO	



**DIMENSIONS IN INCHES
THIRD ANGLE PROJECTION**