

REV	MCO	DWN	DATE
B	20090559	CDZ	14-MAY-01
C	20176669	GNM	09-SEP-05

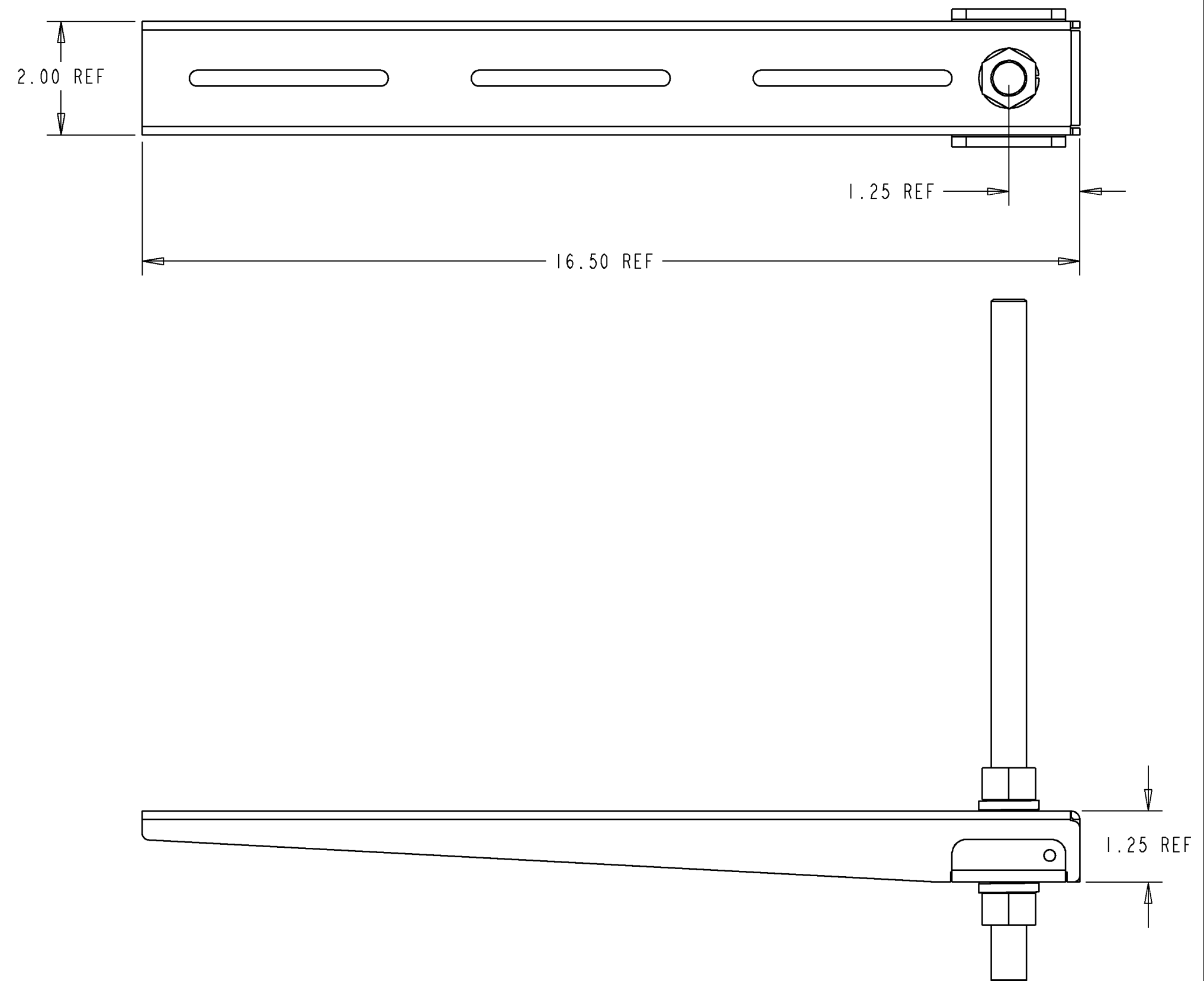
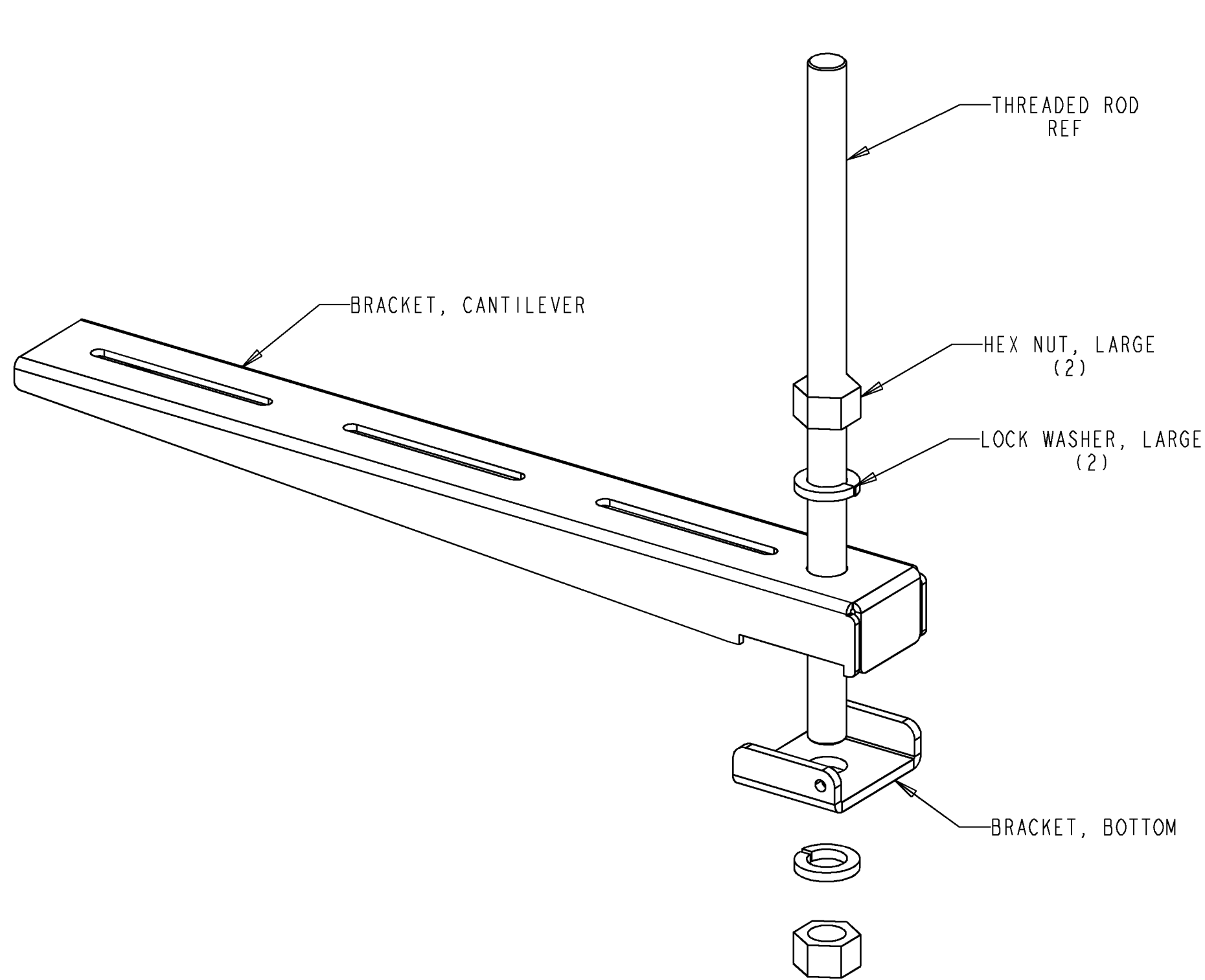


FIGURE 1

PARTS LIST	
DESCRIPTION	QTY
BRACKET, CANTILEVER	1
BRACKET, BOTTOM	1
LOCK WASHER, LARGE	2
HEX NUT, LARGE	2
QUICK KNOB ASSEMBLY	3
SCREW, THREAD FORM, 1/4-20	3

NOTES:
 1. SEE SHEETS 2 AND 3 FOR FGS MOUNTING OPTIONS.

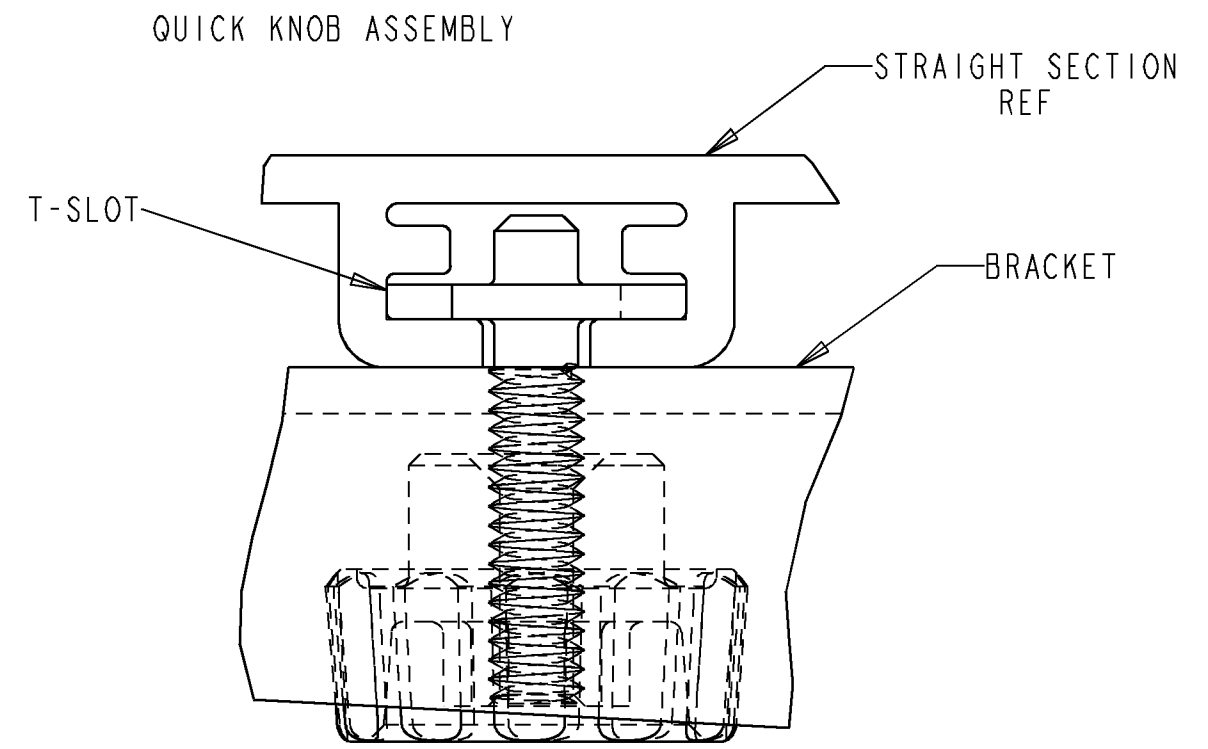
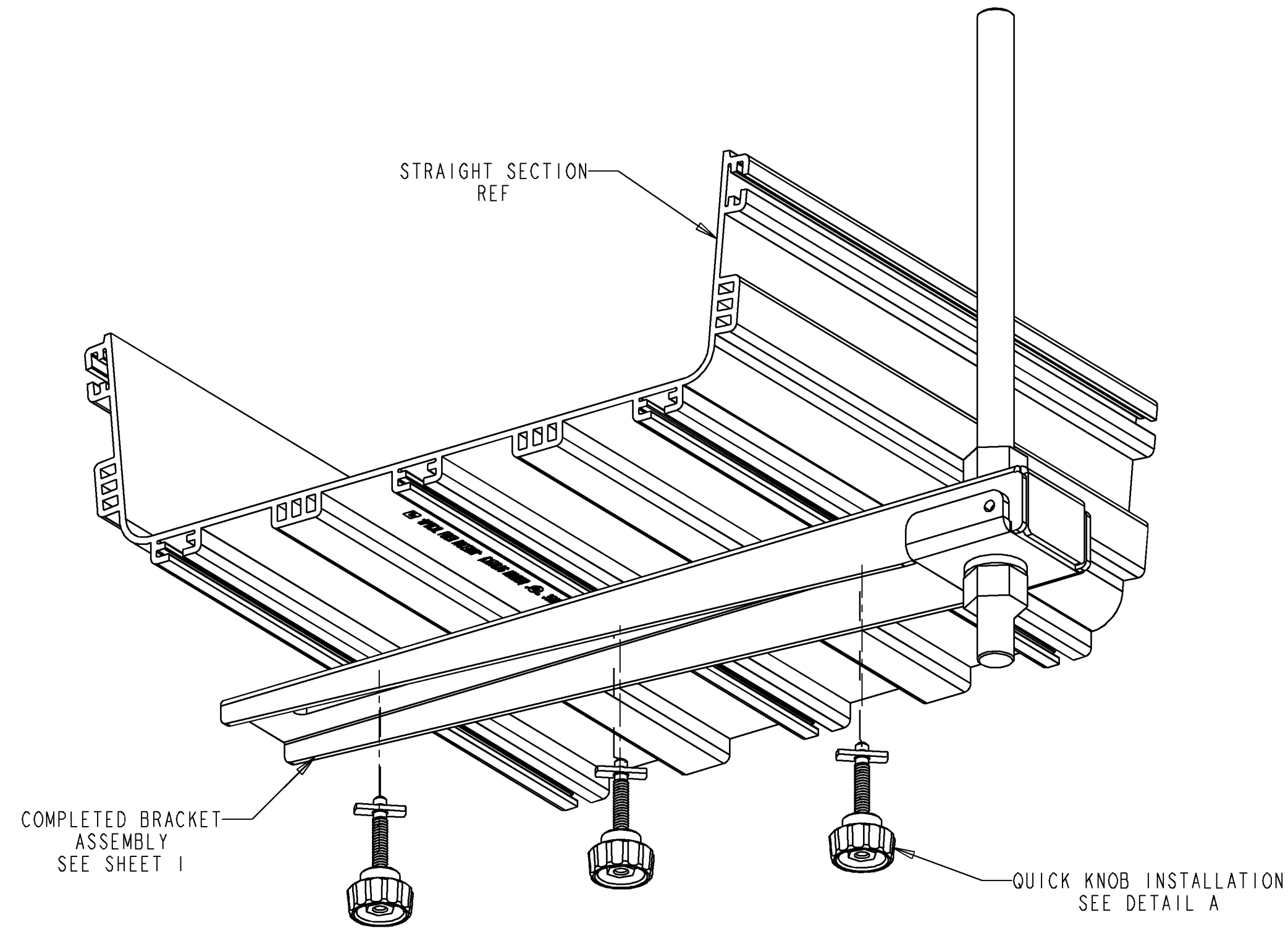
CATALOG NO.	ROD DIAMETER (APPLICATION)	SEE FIGURE
FGS-HNTR-F-16MM	16MM (NEW)	1
FGS-HNTR-F-5/8	5/8" (NEW)	1
FGS-HNTR-F-1/2	1/2" (NEW)	1
FGS-HNTR-F-12MM	12MM (NEW)	1
FGS-HNTR-F-18MM	18MM (NEW)	1



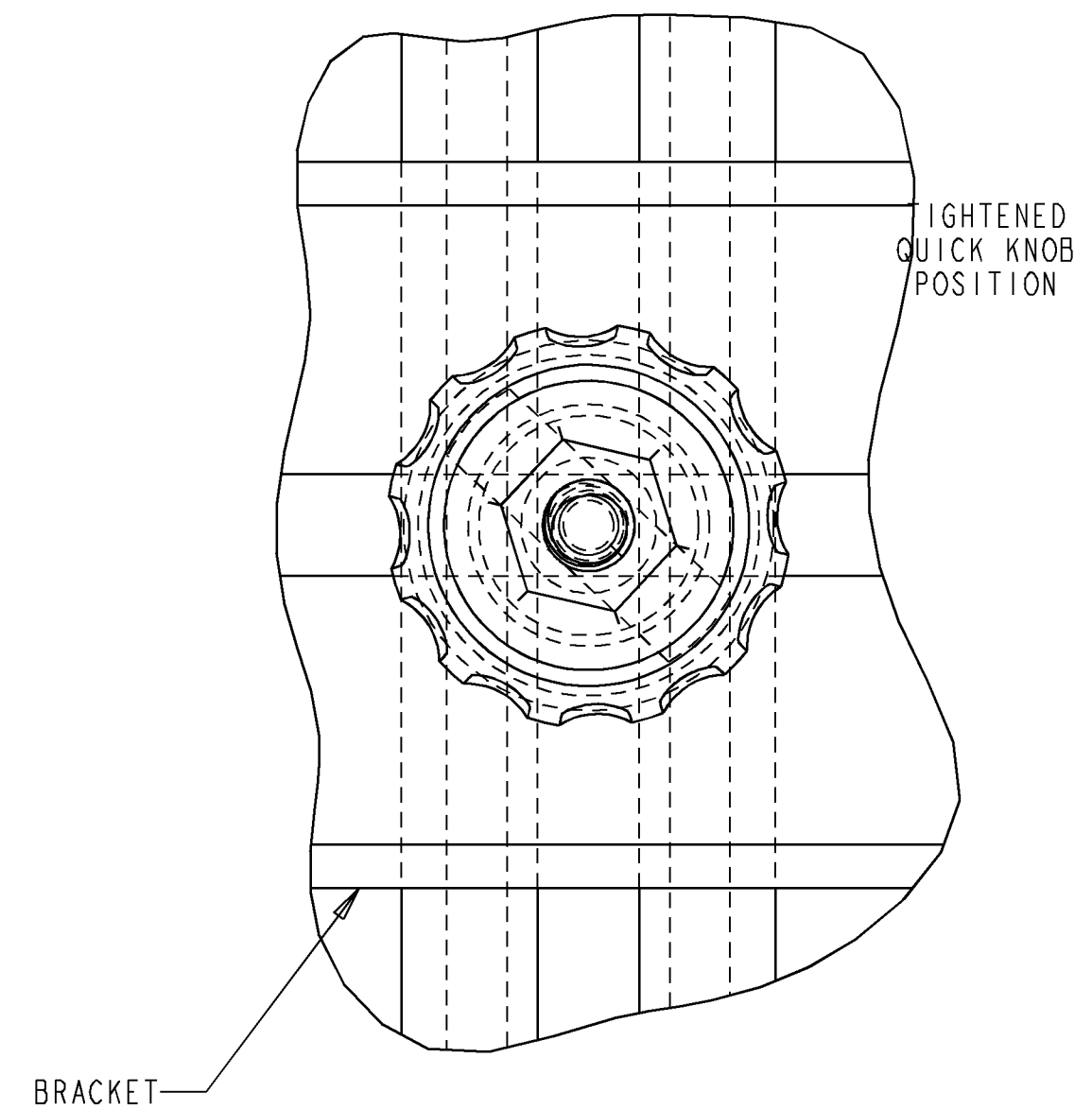
INFORMATION ON THIS DOCUMENT IS PROPRIETARY TO ADC AND SHALL NOT BE USED, COPIED, REPRODUCED OR DISCLOSED IN WHOLE OR IN PART WITHOUT WRITTEN CONSENT OF ADC.		TITLE KIT, CANTIL, 12IN FGS INSTALLATION DRW	
ALL DIMS AND TOLERANCES ARE INCHES UNLESS OTHERWISE SPECIFIED	.XX:±N/A .XXX:±N/A ANGULAR:±N/A	C SIZE DRAWING NUMBER 1168103	C REV
DO NOT SCALE DRAWING	ENGR: DEREK DERKS DWN: CRAIG ZELASKO	SHT. 1 OF 3	

DIMENSIONS IN INCHES
THIRD ANGLE PROJECTION

QUICK KNOB MOUNTING
FOR MOUNTING STRAIGHT SECTIONS ONLY



SCALE 2.000 QUICK KNOB



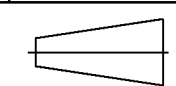
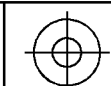
DETAIL A
QUICK KNOB INSTALLATION
BOTTOM VIEW
TYP (3) PLACES

QUICK KNOB INSTALLATION INSTRUCTIONS:

INSERT QUICK KNOB ASSEMBLY THROUGH BRACKET, ROTATE 90°, AND INTO T-SLOT IN FGS STRAIGHT SECTION. ROTATE QUICK KNOB CLOCKWISE SUCH THAT QUICK KNOB FLANGES EXTEND INTO T-SLOT. HAND TIGHTEN NUT. SEE DETAIL A.

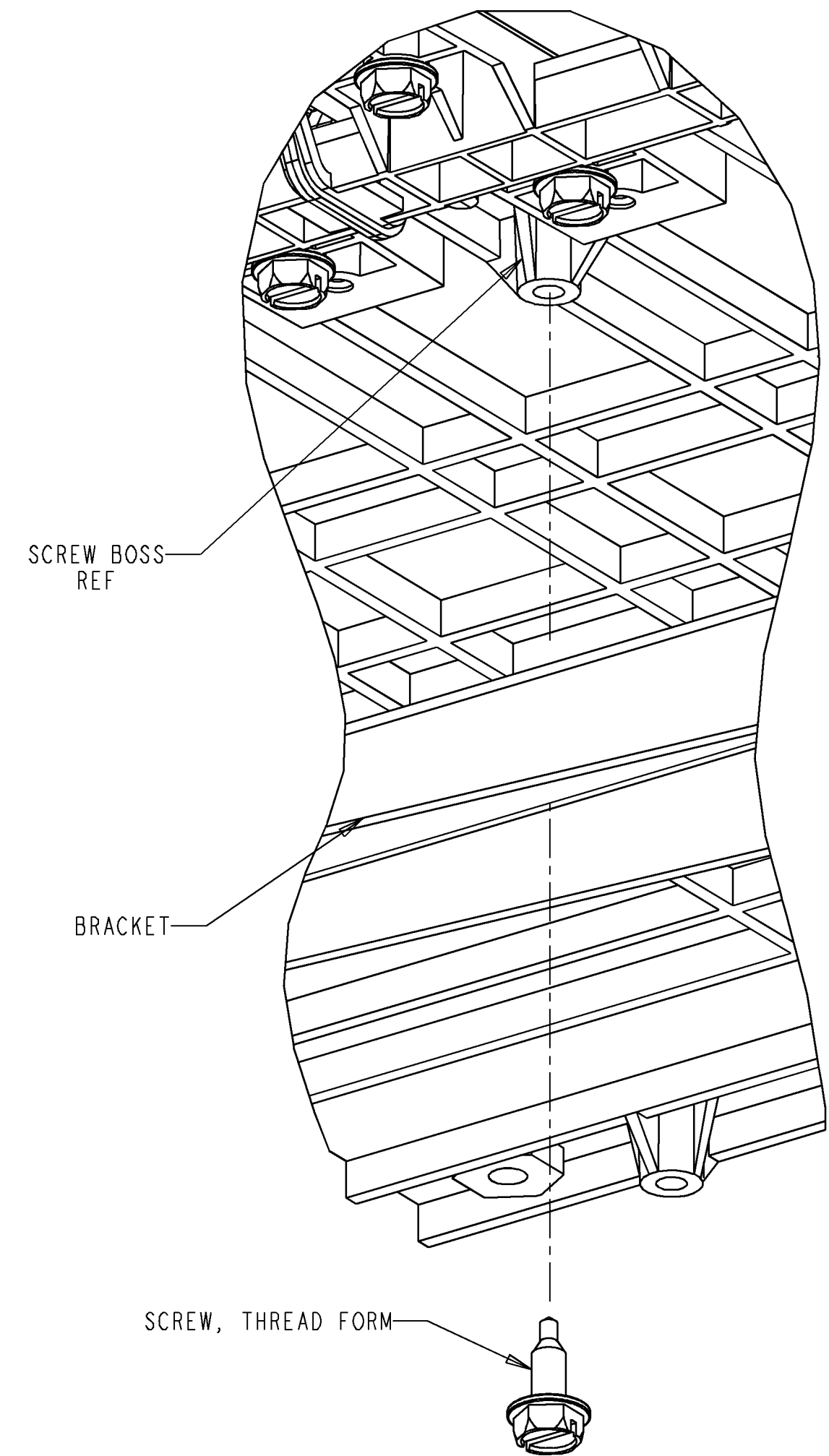
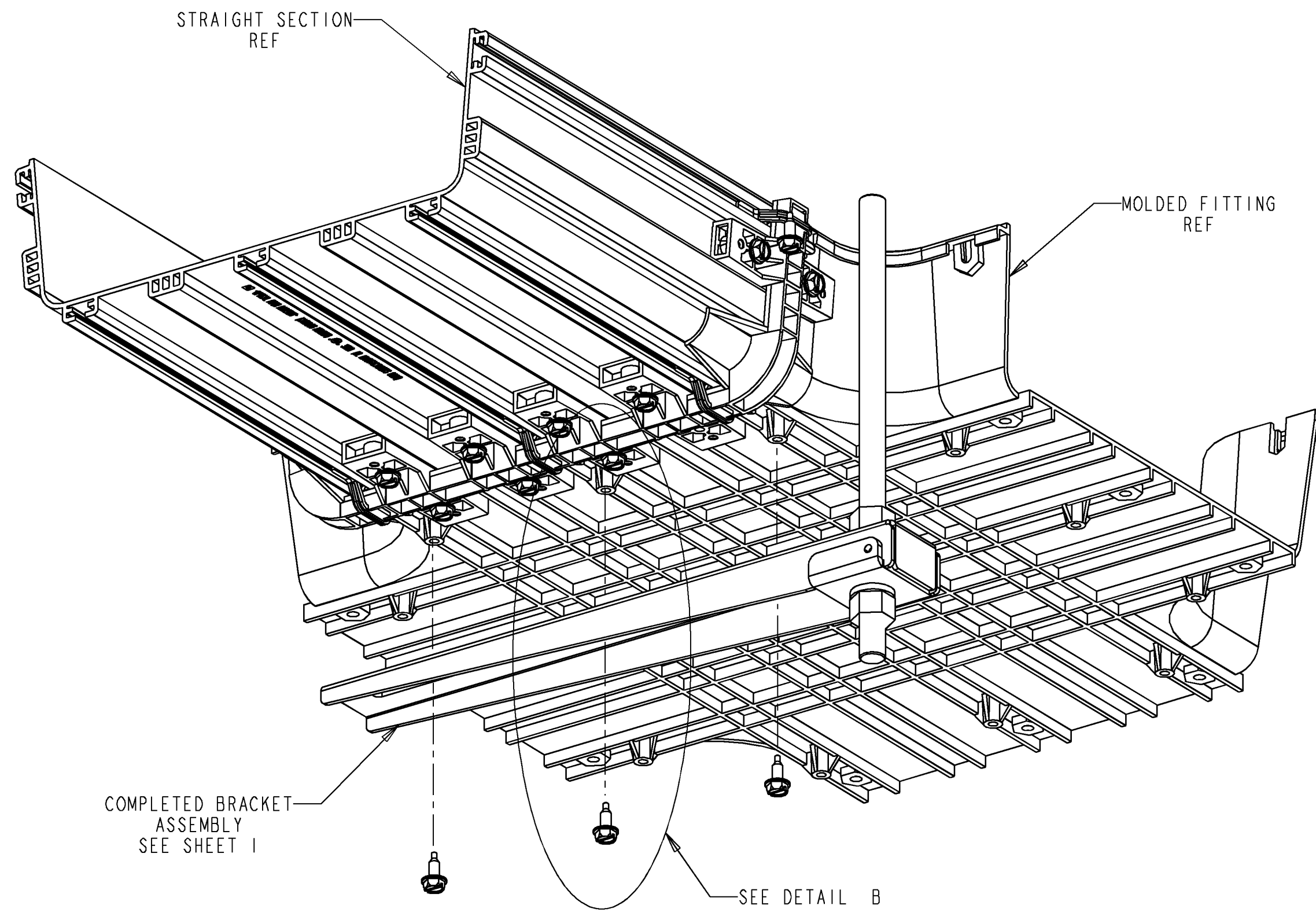


INFORMATION ON THIS DOCUMENT IS PROPRIETARY TO ADC AND SHALL NOT BE USED, COPIED, REPRODUCED OR DISCLOSED IN WHOLE OR IN PART WITHOUT WRITTEN CONSENT OF ADC.		TITLE KIT, CANTIL, 12IN FGS INSTALLATION DRW	
ALL DIMS AND TOLERANCES ARE INCHES UNLESS OTHERWISE SPECIFIED	.XX:±N/A .XXX:±N/A ANGULAR:±N/A	C SIZE	DRAWING NUMBER 1168103
DO NOT SCALE DRAWING		ENGR: DEREK DERKS DWN: CRAIG ZELASKO	SHT. 2 OF 3



DIMENSIONS IN INCHES
THIRD ANGLE PROJECTION

SCREW MOUNTING
FOR MOUNTING TO SELECTED FITTINGS ONLY



DETAIL B
SCALE 1.000
TYP (3) PLACES

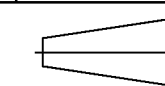
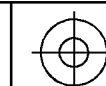
SCREW INSTALLATION INSTRUCTIONS:

1. INSERT SCREW THROUGH BRACKET AND INTO SCREW BOSS ON MOLDED FITTING. TIGHTEN SCREW. SEE DETAIL B.

* NOTE - IF MOUNTING BRACKET TO FITTINGS, BRACKET MUST BE POSITIONED APPROXIMATELY 3/8" LOWER THAN BRACKETS USED ON STRAIGHT SECTIONS.



INFORMATION ON THIS DOCUMENT IS PROPRIETARY TO ADC AND SHALL NOT BE USED, COPIED, REPRODUCED OR DISCLOSED IN WHOLE OR IN PART WITHOUT WRITTEN CONSENT OF ADC.		TITLE KIT, CANTIL, 12IN FGS INSTALLATION DRW	
ALL DIMS AND TOLERANCES ARE INCHES UNLESS OTHERWISE SPECIFIED	.XX:±N/A .XXX:±N/A ANGULAR:±N/A	C SIZE	DRAWING NUMBER 1168103
DO NOT SCALE DRAWING	ENGR: DEREK DERKS DWN: CRAIG ZELASKO	SHT. 3 OF 3	



DIMENSIONS IN INCHES
THIRD ANGLE PROJECTION