

REV.	MCO	DWN	DATE
C	20275532	GCC	22-OCT-09
D	40031893MCO	OAVL	30-JUN-16

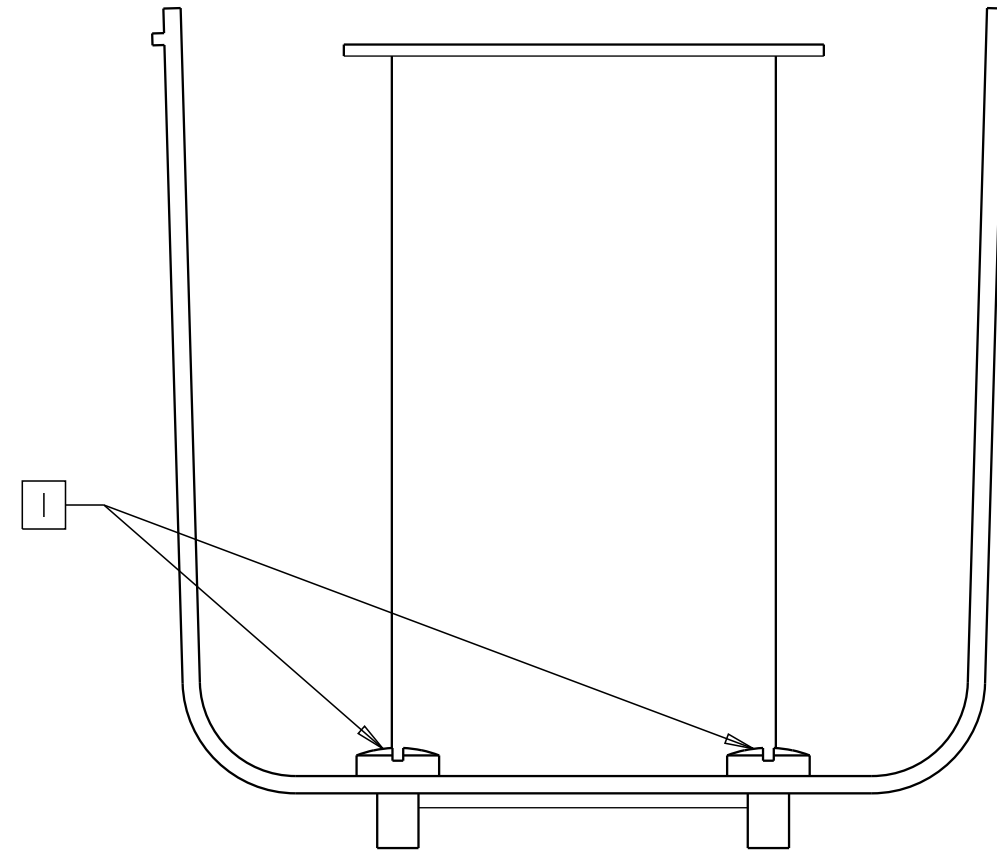
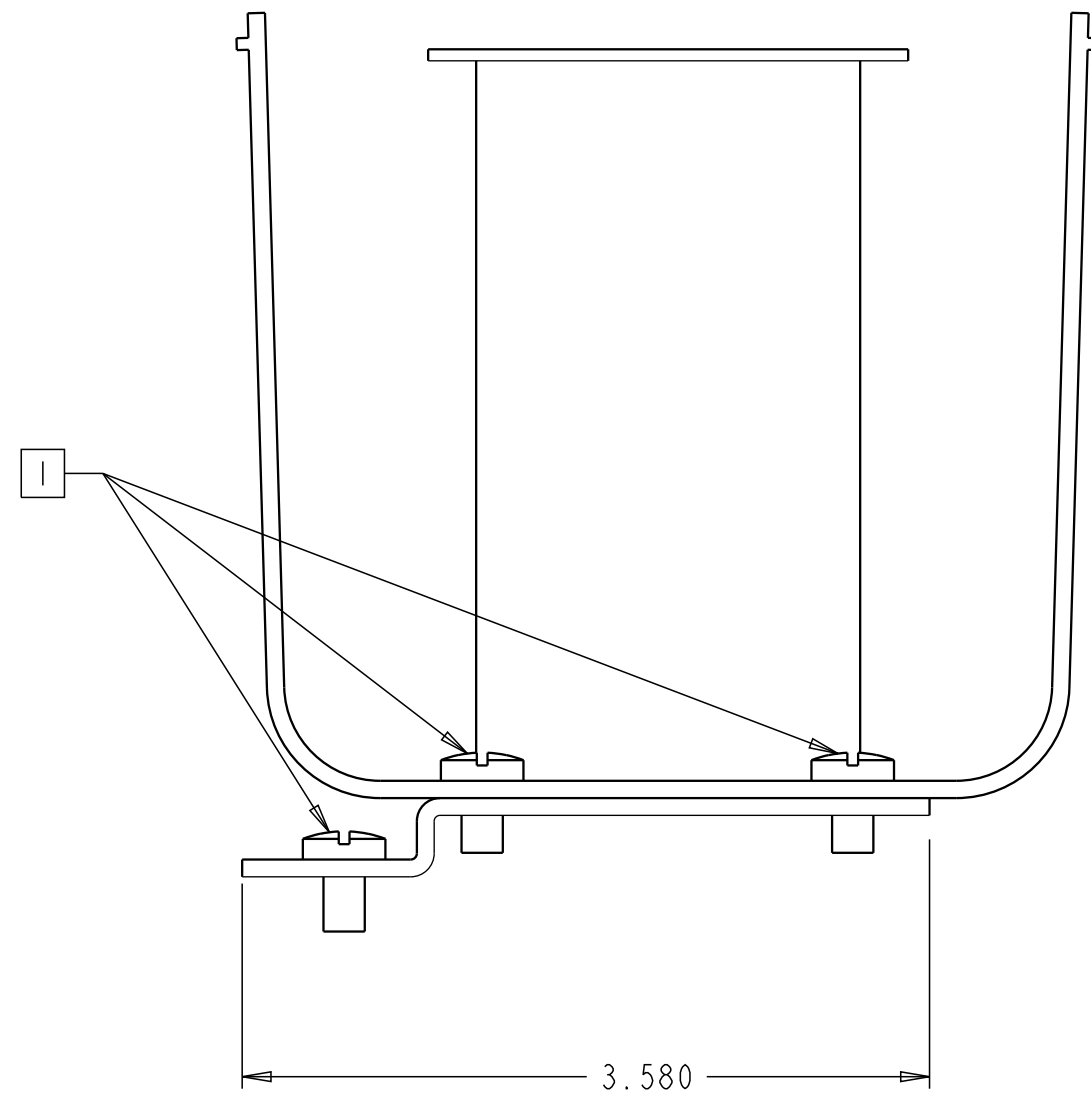


FIGURE 2
4X4 VERTICAL DUCT MOUNTED
DIRECTLY TO RACK

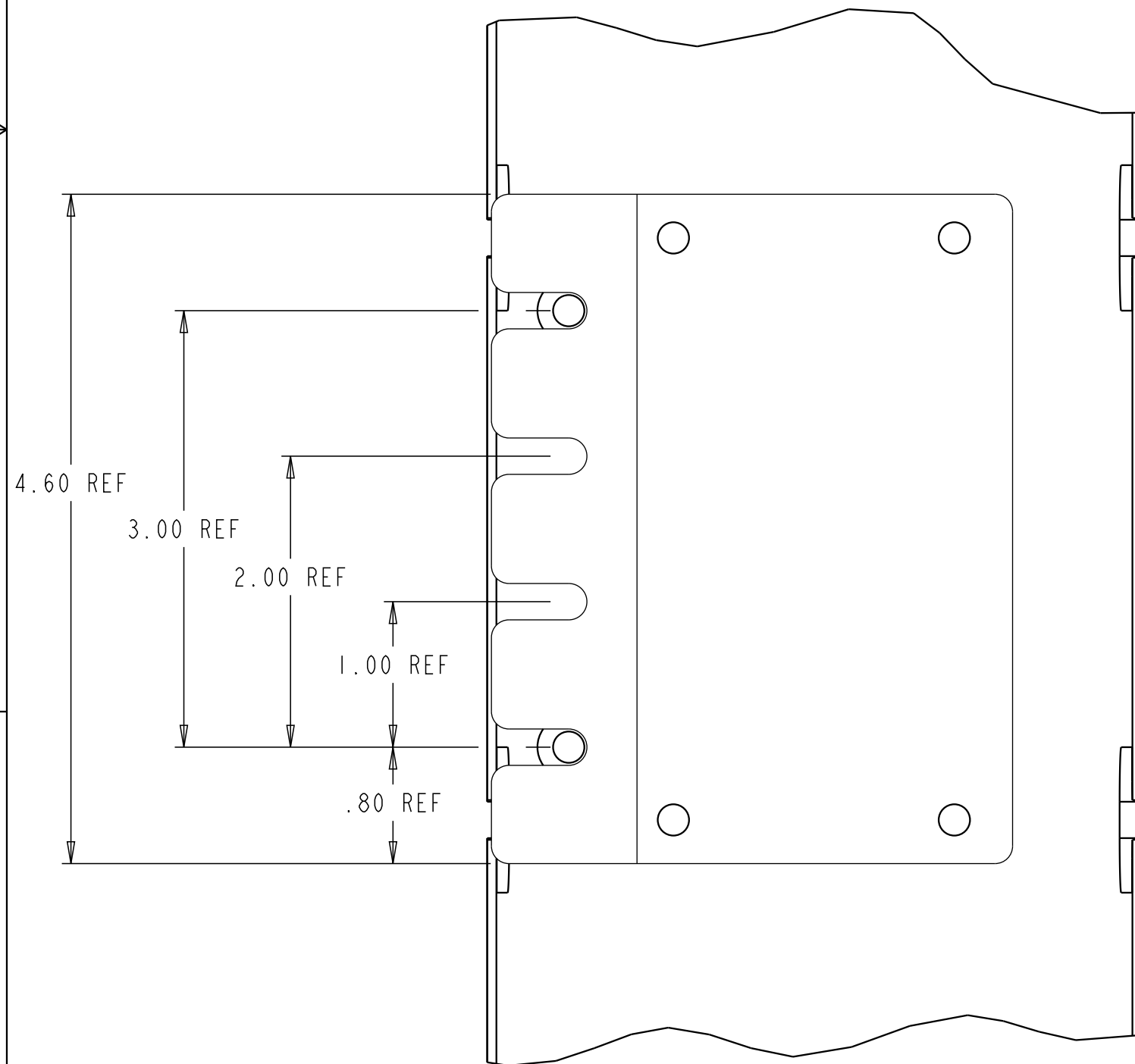
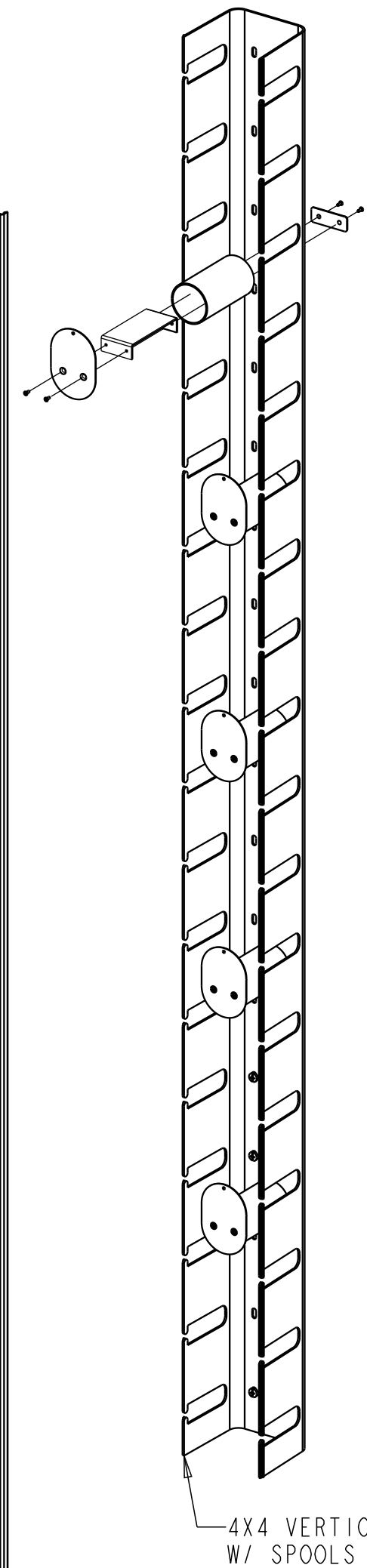


FIGURE 1
4X4 VERTICAL DUCT W/
WECO MOUNTING BRACKETS

NOTES:
1 #12 SCREW AND WASHER.

ITEMS INCLUDED IN KIT	
QTY	DESCRIPTION
1	4X4 VERTICAL DUCT W/ SPOOLS
1	DUCT COVER
6	GROMMET STRIPS
4	WECO MOUNTING BRACKETS
24	#12 X 1/2 SCREWS
24	#12 FLAT WASHERS

DUCT COVER



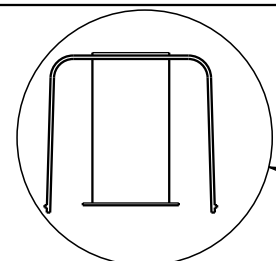
4X4 VERTICAL DUCT
W/ SPOOLS

FGSB-KTW2-D-IMP	BLACK
FGS-KTW2-D-IMP	YELLOW
CATALOG NUMBER	COLOR

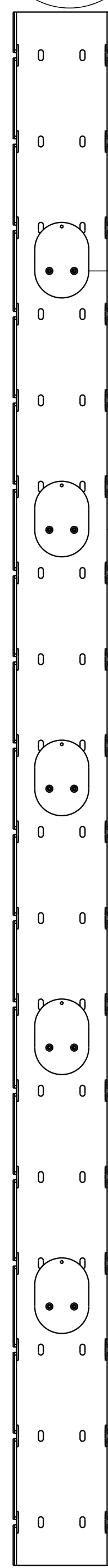
© 2016 COMMSCOPE, INC. CONFIDENTIAL NOTICE: THESE DRAWINGS AND SPECIFICATIONS ARE THE PROPRIETARY PROPERTY OF COMMSCOPE, INC. AND MAY BE USED ONLY FOR THE SPECIFIC PURPOSE AUTHORIZED IN WRITING BY COMMSCOPE, INC.		TITLE 4X4 VERTICAL FGS W/CABLE MANAGEMENT SPOOLS (INSTALLATION DRAWING)	
ALL DIMS AND TOLERANCES ARE INCHES UNLESS OTHERWISE SPECIFIED	.XX:±N/A .XXX:±N/A ANGULAR:±N/A	C SIZE DRAWING NUMBER 1188067_ADC	D REV
DO NOT SCALE DRAWING	ENGR: D. DERKS DWN: D. DERKS	SHT. 1 OF 2	

COMMSCOPE, INC.

DIMENSIONS IN INCHES
THIRD ANGLE PROJECTION



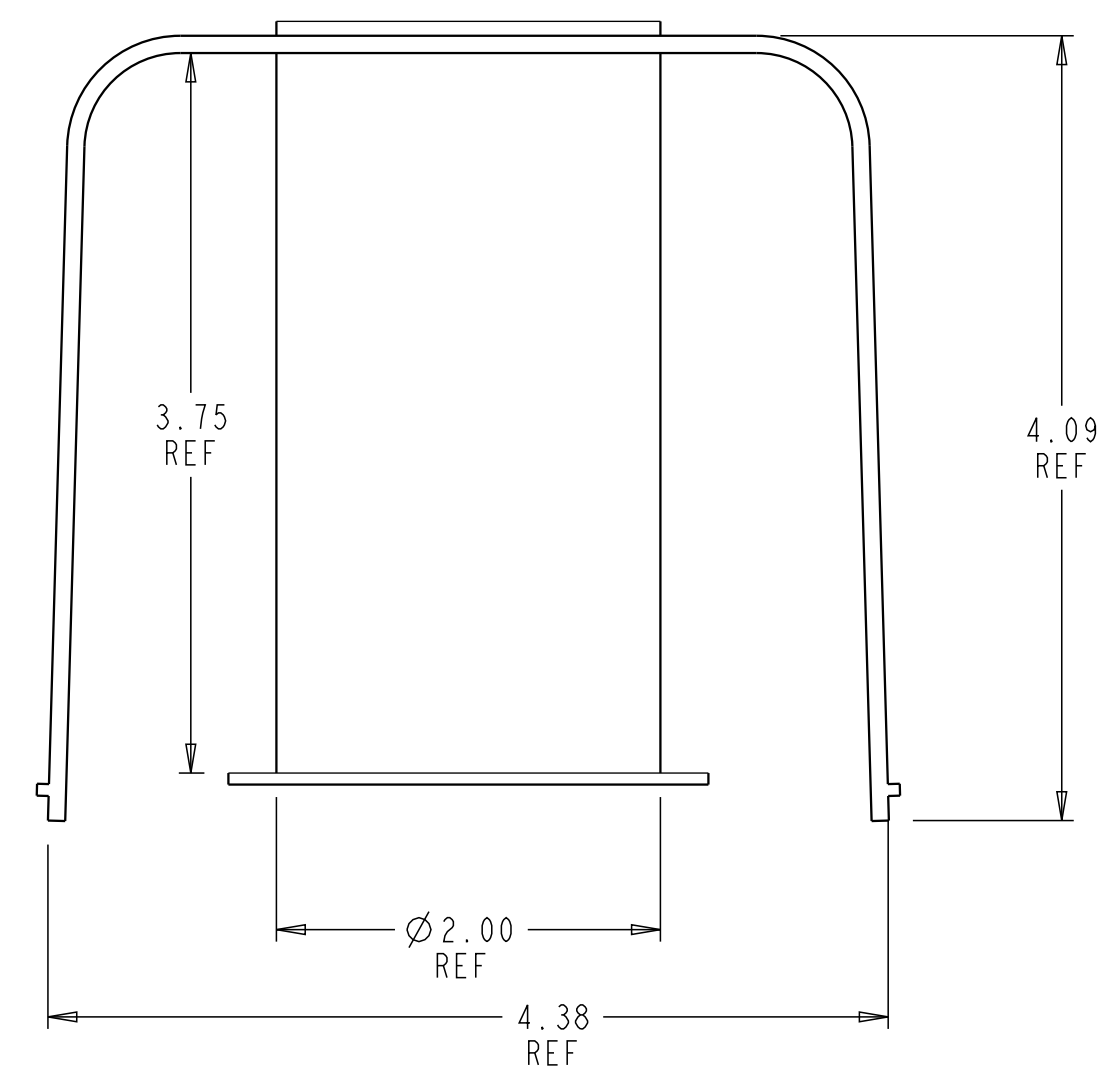
SEE DETAIL A



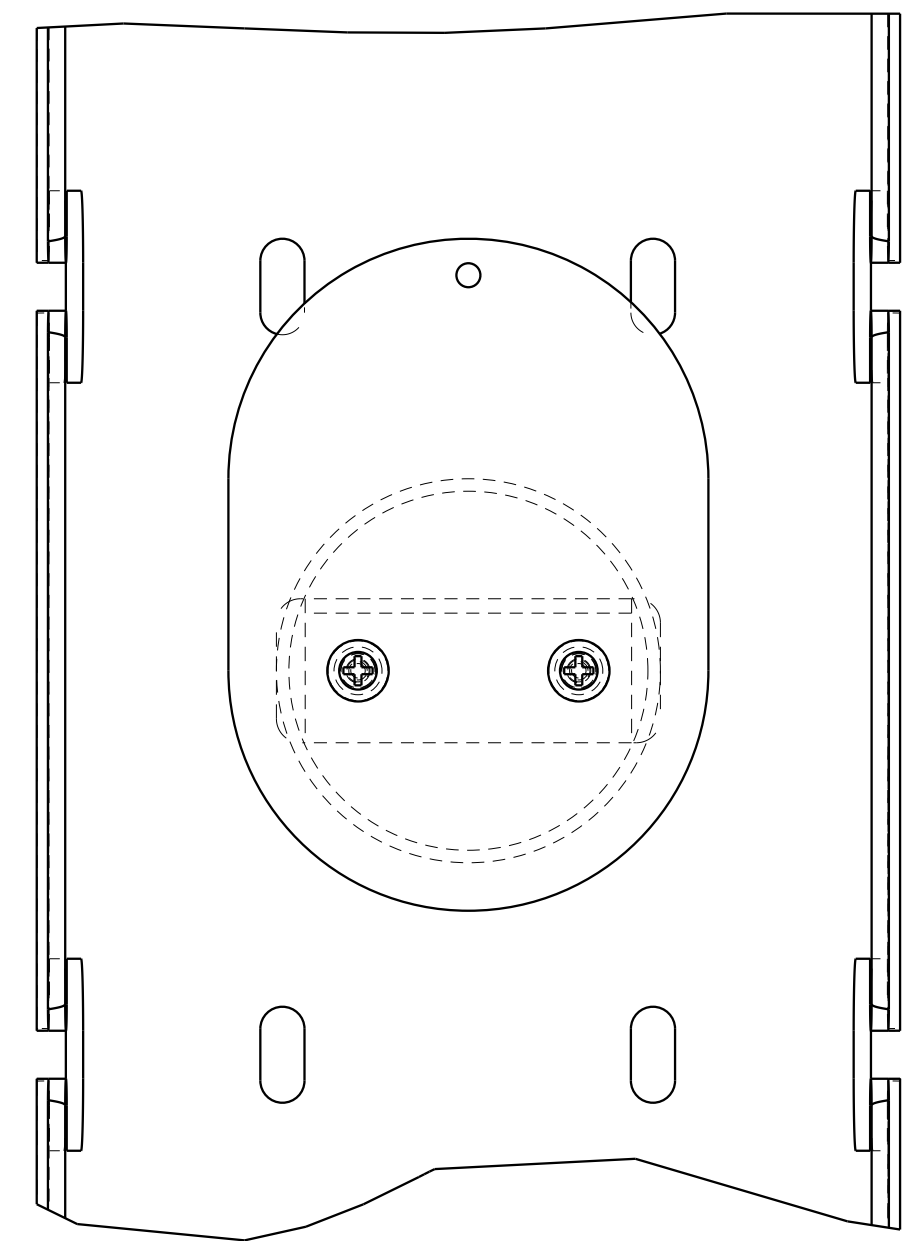
12.00 TYP REF

12.00 TYP REF

72.00 REF



DETAIL A
SCALE 1.000



COMMSCOPE, INC.

© 2016 COMMSCOPE, INC. CONFIDENTIAL
NOTICE: THESE DRAWINGS AND SPECIFICATIONS
ARE THE PROPRIETARY PROPERTY OF
COMMSCOPE, INC. AND MAY BE USED ONLY FOR THE
SPECIFIC PURPOSE AUTHORIZED IN WRITING BY
COMMSCOPE, INC.

ALL DIMS AND TOLERANCES .XX:±N/A
ARE INCHES UNLESS .XXX:±N/A
OTHERWISE SPECIFIED ANGULAR:±N/A

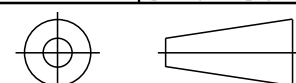
DO NOT SCALE DRAWING

TITLE 4X4 VERTICAL FGS
W/CABLE MANAGEMENT SPOOLS
(INSTALLATION DRAWING)

DRAWING NUMBER 1188067_ADC

ENGR: D. DERKS
DWN: D. DERKS

SHT. 2 OF 2



DIMENSIONS IN INCHES
THIRD ANGLE PROJECTION