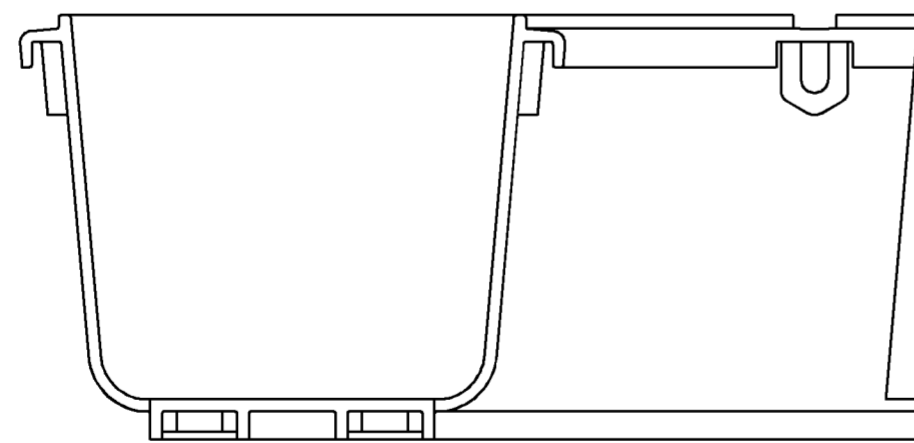
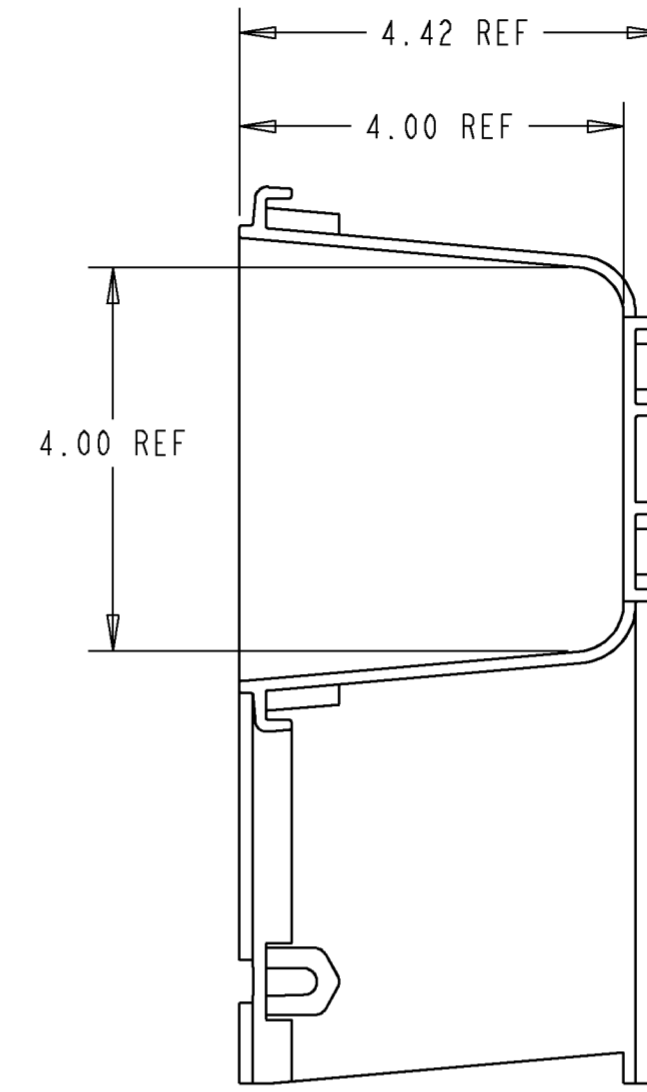
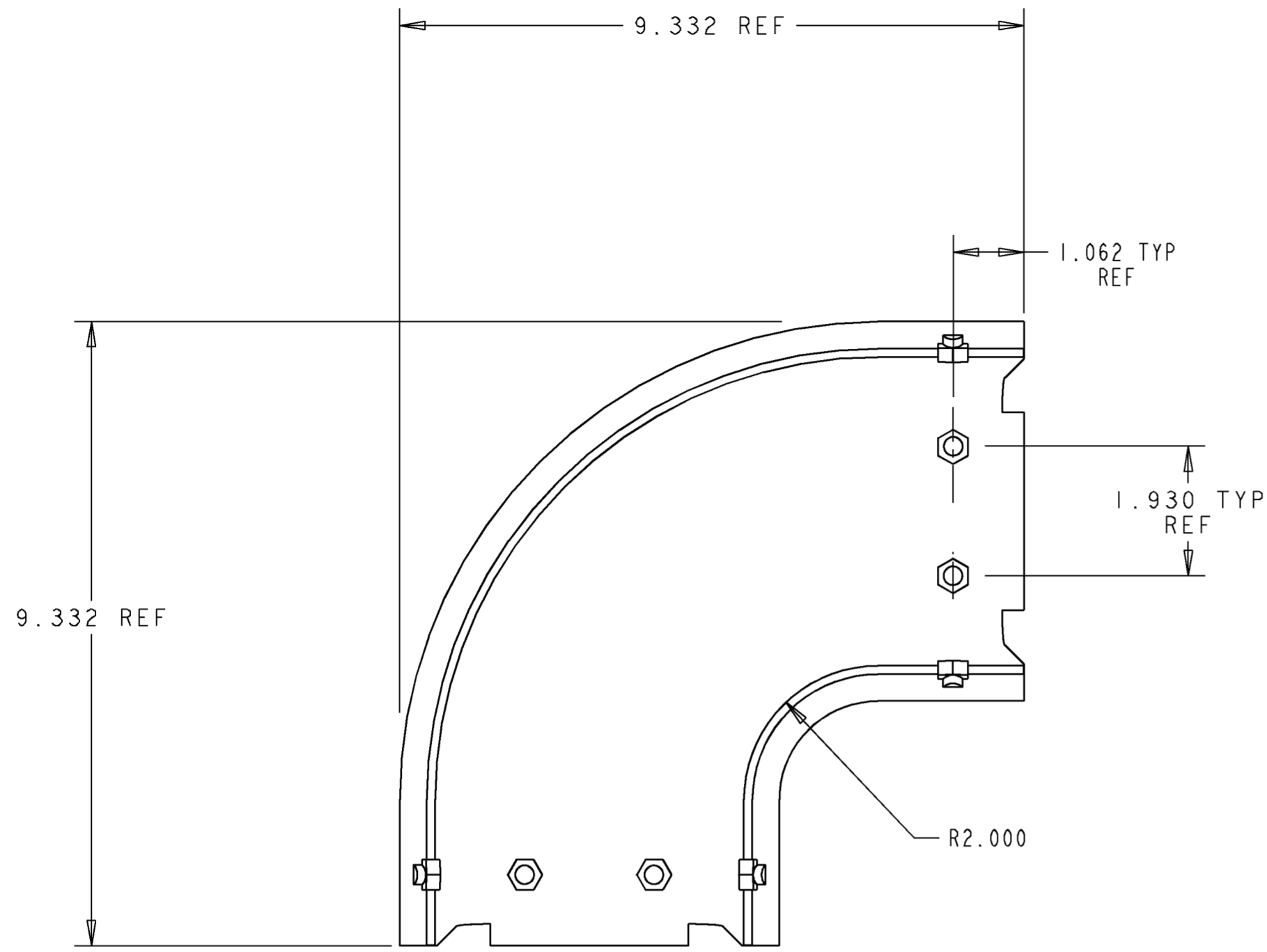


REV	MCO	DWN	DATE
A	20095947	DLD	07-16-01
B	20237120	AED	04-APR-08



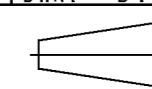
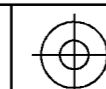
NOTES:

1. MATERIAL IS SELF EXTINGUISHING WITH A UL RATING OF V-0.

FGSB-MH9E-A	BLACK
FGSO-MH9E-A	ORANGE
FGS-MH9E-A	YELLOW
CATALOG NO.	COLOR



<small>INFORMATION ON THIS DOCUMENT IS PROPRIETARY TO ADC AND SHALL NOT BE USED, COPIED, REPRODUCED OR DISCLOSED IN WHOLE OR IN PART WITHOUT WRITTEN CONSENT OF ADC.</small> <small>ALL DIMS AND TOLERANCES .XX:±.03 ARE INCHES UNLESS .XXX:±.020 OTHERWISE SPECIFIED ANGULAR:±1°</small>	<small>TITLE</small> 90° HORIZONTAL ELBOW, (INSTALL DWG)	
	<small>DO NOT SCALE DRAWING</small>	<small>DRAWING NUMBER</small> 1188265
<small>ENGR: D. DERKS</small> <small>DWN: D. DERKS</small>		<small>SHT. 1 OF 1</small>



**DIMENSIONS IN INCHES
THIRD ANGLE PROJECTION**