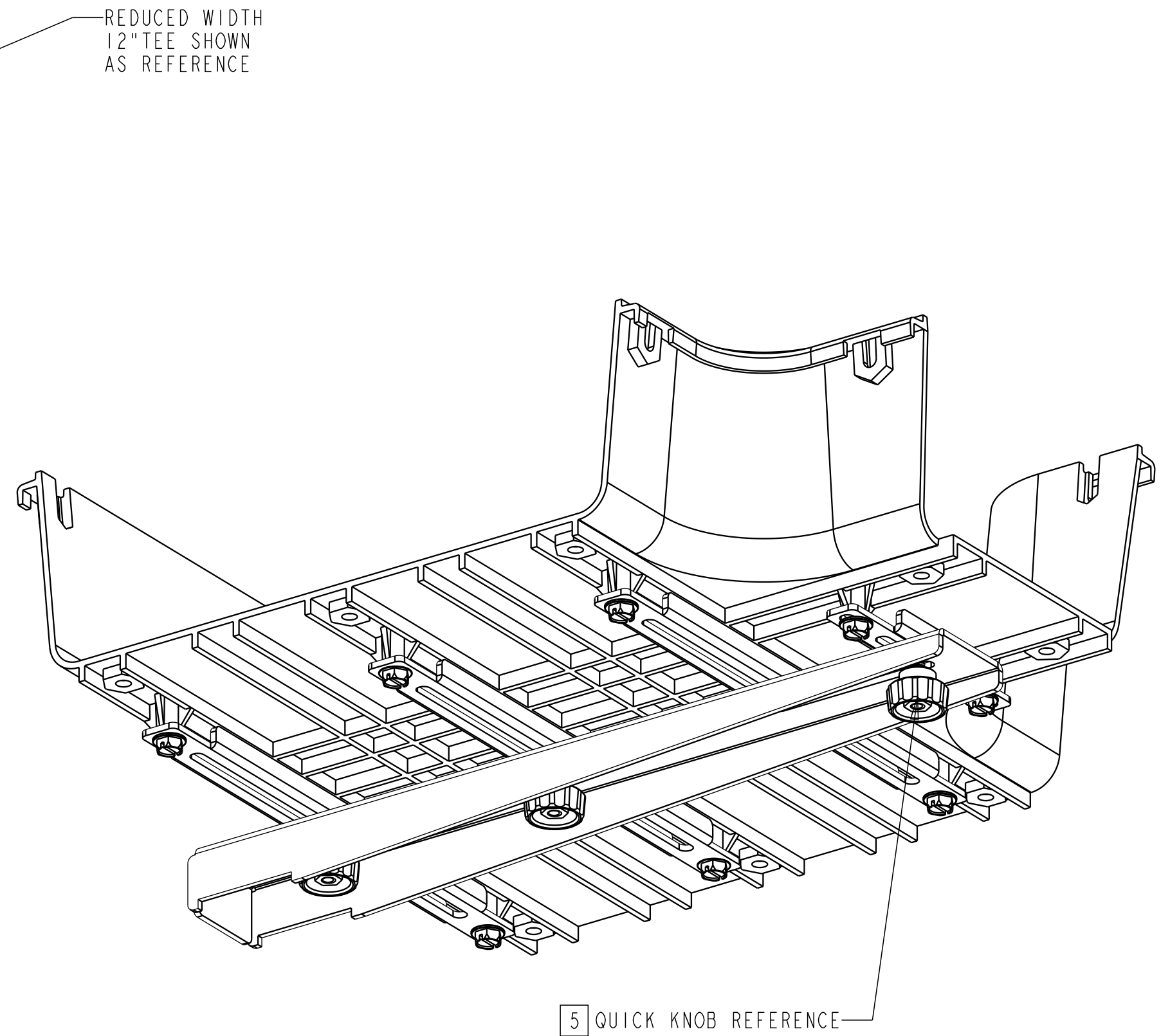
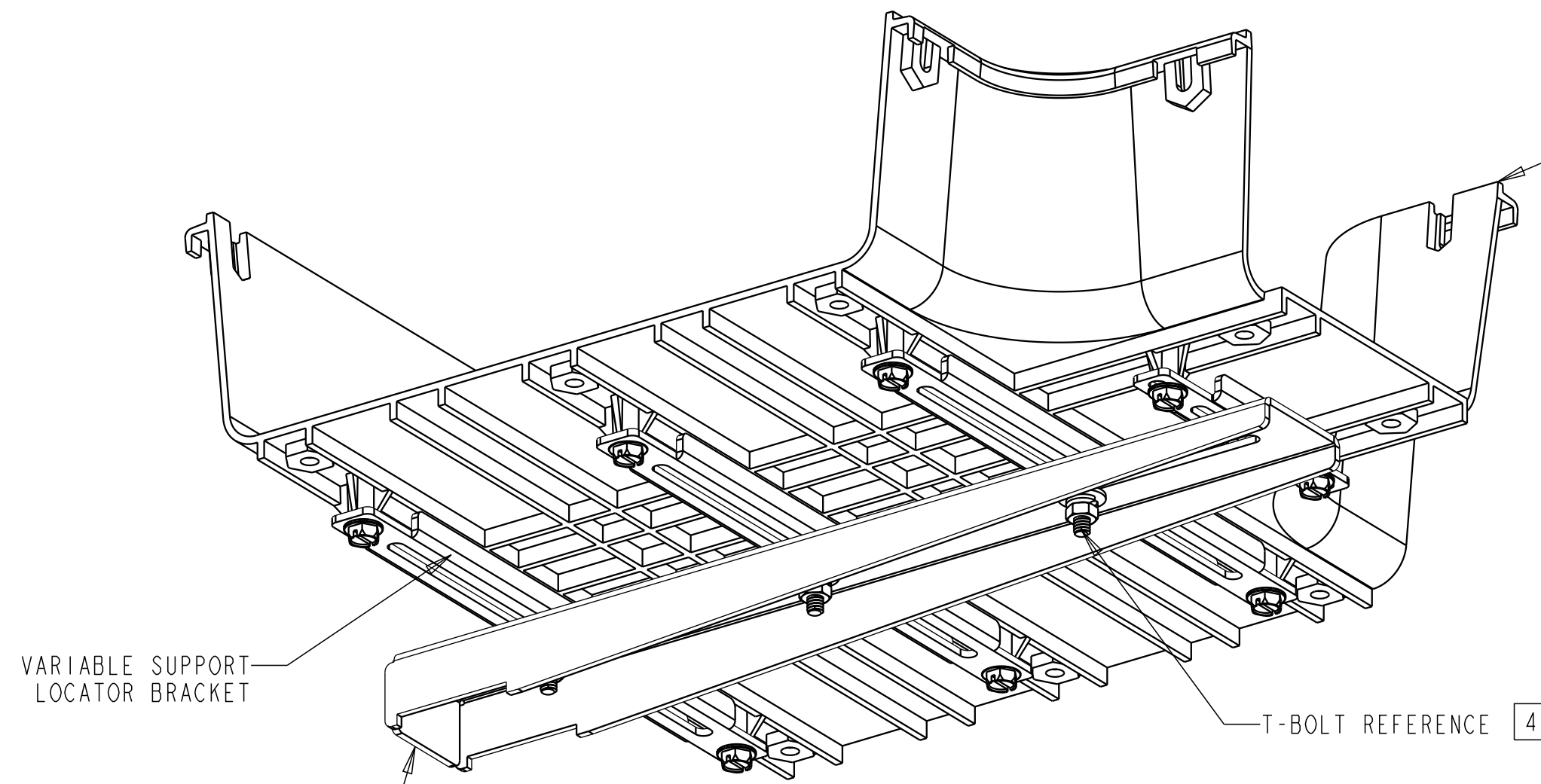


REV	MCO	DWN	DATE
B	20172843	GNM	01-SEP-05
C	40031893MCO	OAVL	30-JUN-16



**NOTES:**

- KIT INCLUDES (1) 12"FGS FITTING WITH MOUNTED VARIABLE SUPPORT LOCATOR BRACKETS.
- ORIENT ANY 12"FGS SUPPORT BRACKET (NOT INCLUDED) ON VARIABLE SUPPORT LOCATOR BRACKETS.
- ALIGN SUPPORT BRACKET TO ALLOW INSERTION OF T-BOLTS OR QUICK KNOB (INCLUDED IN SUPPORT BRACKET KIT) THROUGH SUPPORT BRACKET SLOTS, INTO SLOTS IN VARIABLE SUPPORT LOCATOR BRACKETS. (USE OF ALL (3) T-BOLTS OR QUICK KNOB IS RECOMMENDED.) SEE ABOVE DRAWING FOR REFERENCE.

4 INSERT T-BOLTS THROUGH SLOTS, ROTATE 90 DEGREES, TIGHTEN COMPLETELY, AND REPLACE VINYL CAP ON T-BOLTS.

5 INSERT QUICK KNOB ASSEMBLY THROUGH BRACKET, ROTATE 90° AND INTO BRACKET VARIABLE SUPPORT LOCATOR. ROTATE QUICK KNOB CLOCKWISE SUCH THAT QUICK KNOB FLANGES EXTEND INTO SLOT, HAND TIGHTEN NUT.

FGS-MHRT-F/B-S	TEE, 6" EXIT	361mm	YELLOW
FGS-MHXP-B/F-S	CROSS, 6" EXIT	361mm	YELLOW
FGS-MDSP-F-S	DOWNSPOUT	361mm	YELLOW
CATALOG NUMBER	FITTING REDUCED	FITTING WIDTH	COLOR

© 2016 COMMSCOPE, INC. CONFIDENTIAL  
 NOTICE: THESE DRAWINGS AND SPECIFICATIONS ARE THE PROPRIETARY PROPERTY OF COMMSCOPE, INC. AND MAY BE USED ONLY FOR THE SPECIFIC PURPOSE AUTHORIZED IN WRITING BY COMMSCOPE, INC.

TITLE REDUCED WIDTH 12" FGS FITTINGS (INST. DWG)

COMMSCOPE, INC.

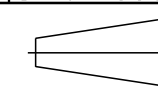
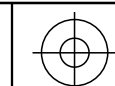
ALL DIMS AND TOLERANCES .XX:±N/A  
 ARE INCHES UNLESS .XXX:±N/A  
 OTHERWISE SPECIFIED ANGULAR:±N/A

C SIZE DRAWING NUMBER 1250589\_ADC C REV

DO NOT SCALE DRAWING

ENGR: RYAN LINDQUIST  
 DWN: JUSTIN TRUESDELL

SHT. 1 OF 1



DIMENSIONS IN INCHES  
 THIRD ANGLE PROJECTION