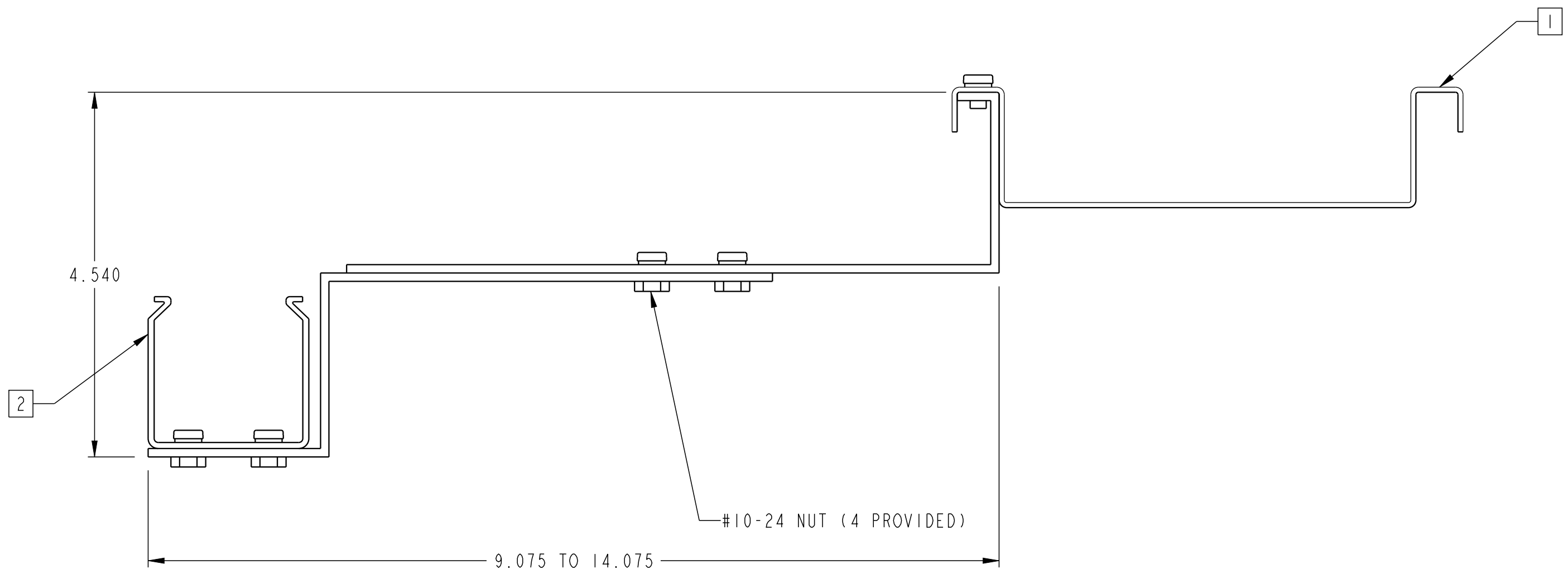
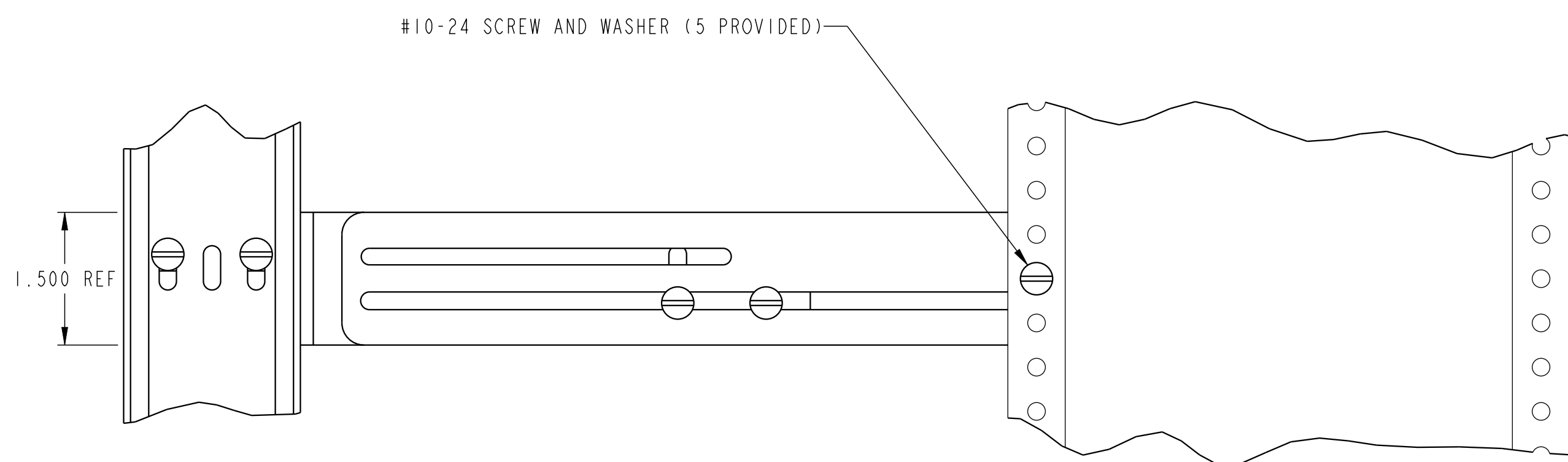
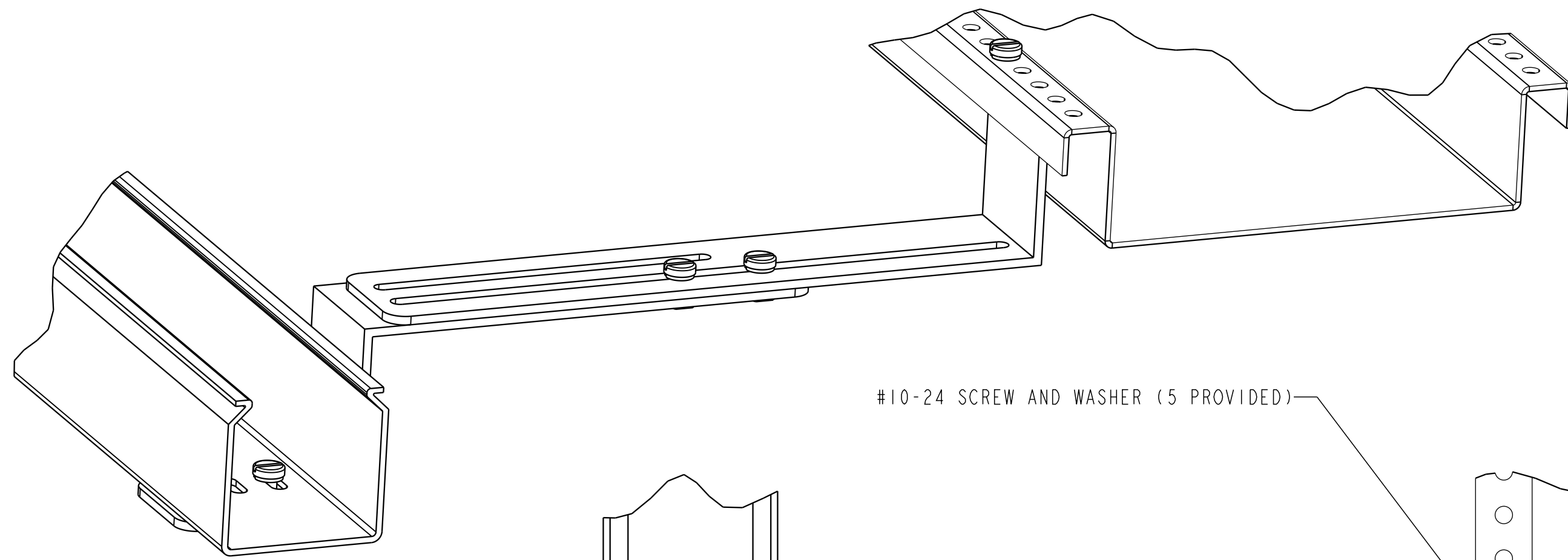


REV.	MCO	DWN	DATE
B	40015221MCO	CA	25-JUN-14
C	40015221MCO	VFV	15-MAR-17



NOTES:

- 1 NOT INCLUDED IN KIT.
- 2 FGS-MSHA-C NOT INCLUDED IN KIT.

COMMSCOPE, INC.

© 2016 COMMSCOPE, INC. CONFIDENTIAL NOTICE: THESE DRAWINGS AND SPECIFICATIONS ARE THE PROPRIETARY PROPERTY OF COMMSCOPE, INC. AND MAY BE USED ONLY FOR THE SPECIFIC PURPOSE AUTHORIZED IN WRITING BY COMMSCOPE, INC.		TITLE FIBERGUIDES CABLEWAY BRACKET INSTALLATION DRAWING	
ALL DIMS AND TOLERANCES .XX:±REF ARE INCHES UNLESS .XXX:±REF OTHERWISE SPECIFIED ANGULAR:±REF		C SIZE DRAWING NUMBER 4-29000-3281	C REV
DO NOT SCALE DRAWING		ENGR: R. HENNEBERGER DWN: D. CARPENTER	SHT. 1 OF 1

**DIMENSIONS IN INCHES
THIRD ANGLE PROJECTION**