

4

3

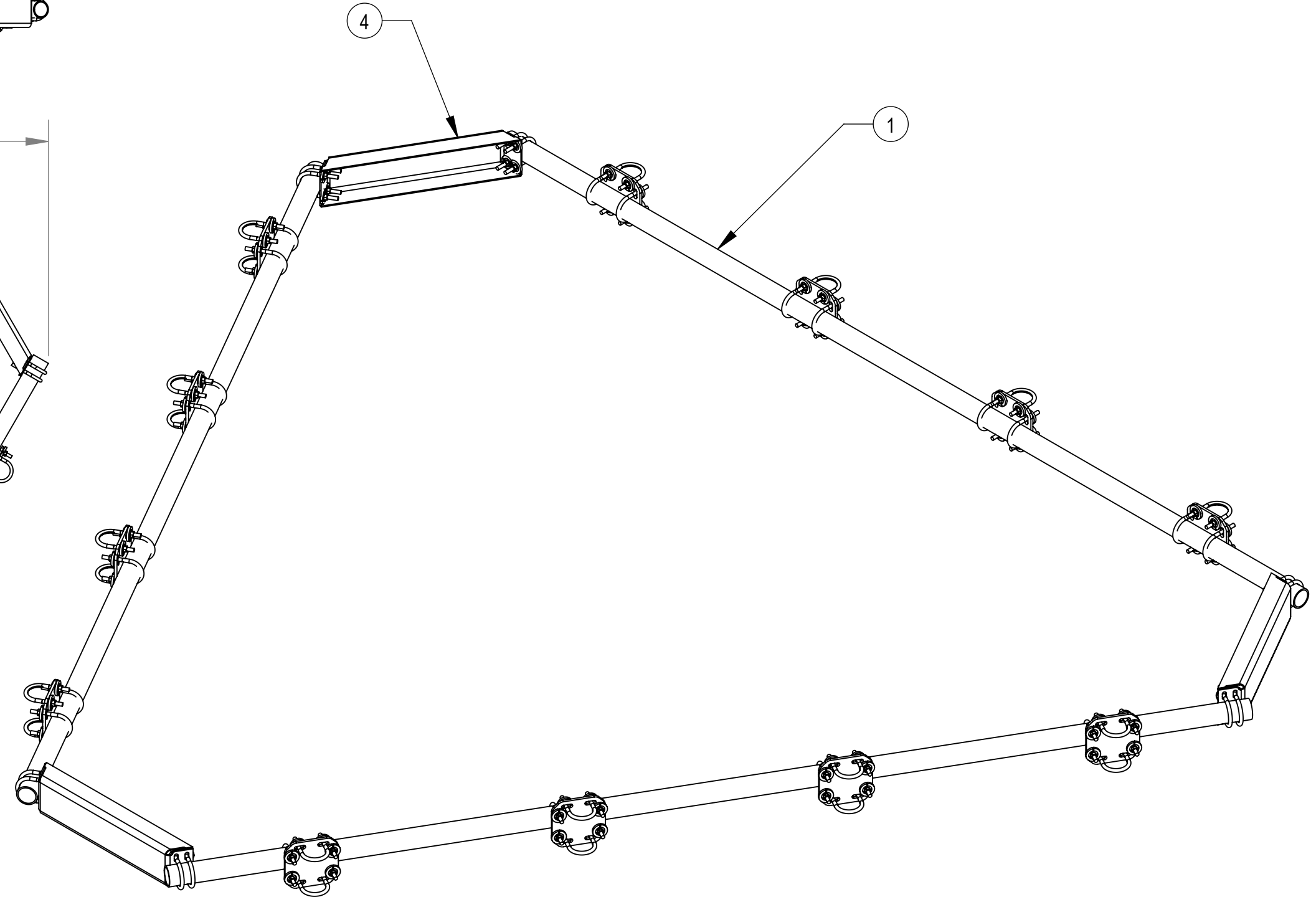
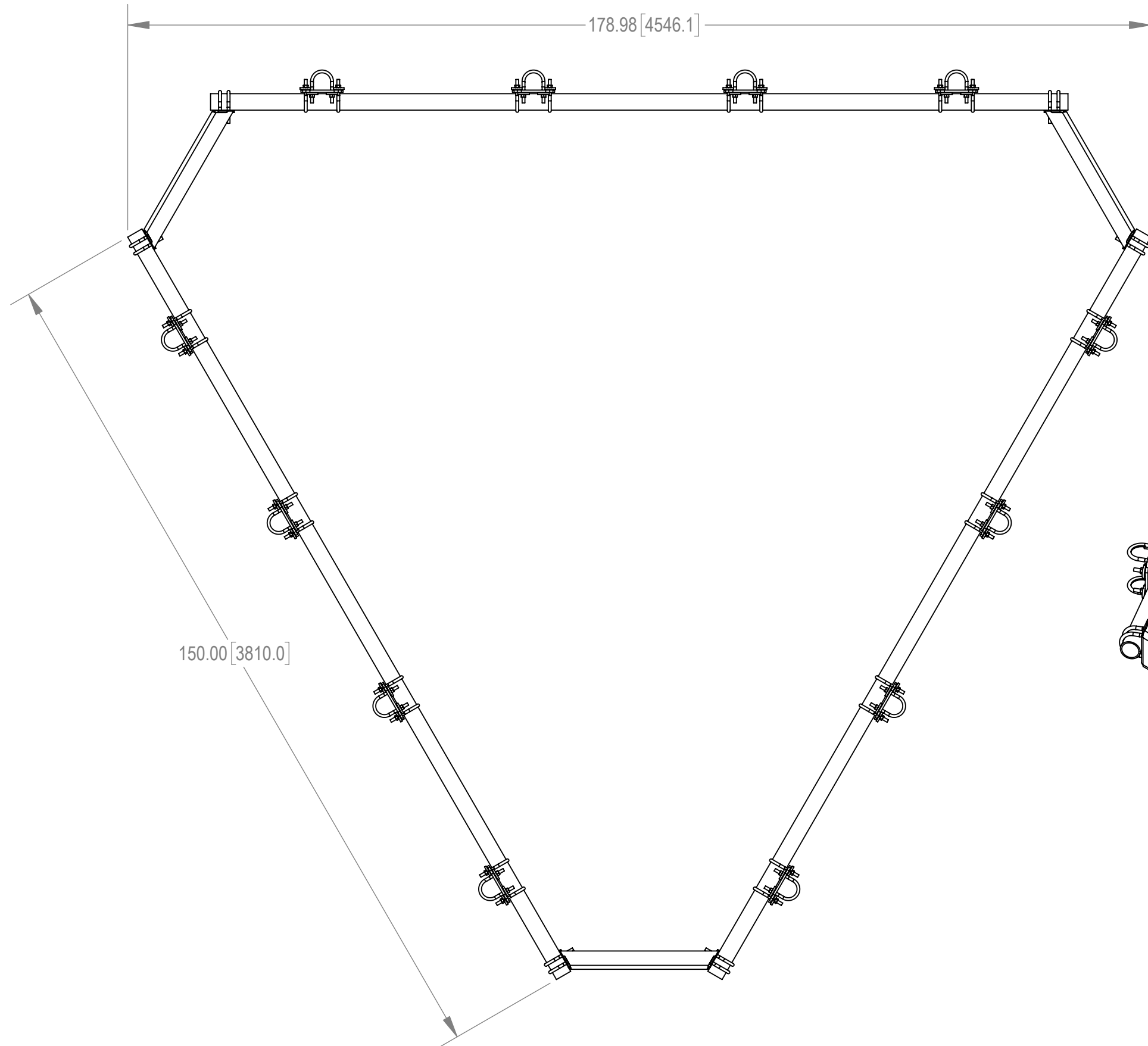
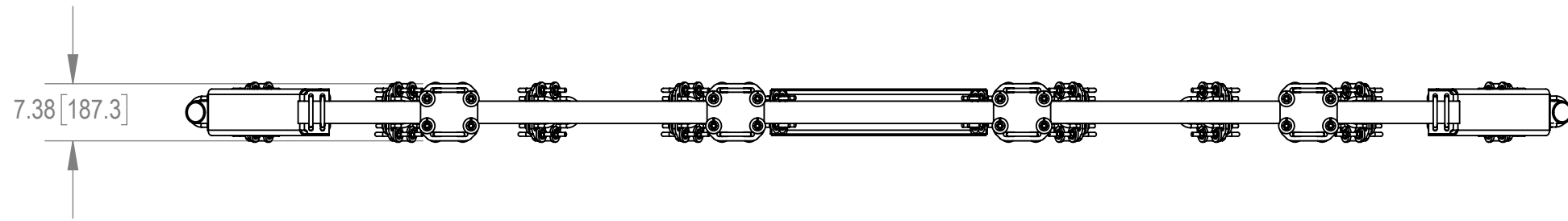
2

1

NOTES:

- 1.0 GENERAL
  - 1.1 ALL METRIC DIMENSIONS ARE IN BRACKETS
  - 1.2 FOR PATENT INFO :<https://www.cs-pat.com>
- 2.0 DESIGN NOTES
  - 2.1 TORQUE TO 45 FT-LBS OR USE TURN OF NUT METHOD
  - 2.2 KIT WILL WORK WITH 12 FOOT MC-PM AND MC-PK PLATFORM
  - 2.3 KITS AND POLE SIZES FROM 12" OD TO 53" OD.
- 3.0 MANUFACTURING/SPECIAL REQUIRMENTS
- 4.0 TEST
- 5.0 PACKAGING

REVISIONS				
REV.	ECN	DESCRIPTION	DATE	APPROVED
A	8000043841	INITIAL RELEASE	11/16/2020	RKH



**COMMSCOPE, INC. OF NORTH CAROLINA**

TOLERANCES		SAP MATERIAL MASTER	
1 PLACE .X ± .25	3 PLACE .XXX ± 0.06	<b>MC-HR25X-12-12</b>	
2 PLACE .XX ± 0.12	ANGLES ± 2°		
FINISH GALV A123		MATERIAL A1011, A500	
UNLESS OTHERWISE SPECIFIED DIMENSIONS ARE IN INCHES INTERPRET PER ANSI Y 14.5M-1994	CE	RKH	12/11/2020
	RW	ROGHANSON	12/11/2020
	AD	MC1107	12/16/2020
	RE	BCROSS	01/05/2021
ECN 008000043841		SCALE <b>1:32</b>	DOCUMENT NO. <b>MC-HR25X-12-12</b>
SIZE	WORK AREA 24	MODEL	
C		VERSION	STATUS
		01	RE
		DRAWING	
		VERSION	STATUS
		01	RE
		SHEET	
		1 OF 2	

ITEM NO.	PART NUMBER	DESCRIPTION	QTY.
1	MT-546-150	2-7/8" OD X 150" GALV PIPE	3
2	XP-2525	CROSSOVER PLATE KIT, 2-7/8 OD X 2-7/8 OD	12
3	GUB-4352	1/2" X 3" X 5-1/4" GALV U-BOLT	12
4	MT19525	CORNER WELDMENT FOR MT-195	3

DENSITY	0.27	lbs/in <sup>3</sup>
MASS	125.47	lbs
VOLUME	468.63	in <sup>3</sup>
SURFACE AREA		in <sup>2</sup>
HEIGHT	7.4	
LENGTH	179	
WIDTH	179	

4

3

2

1

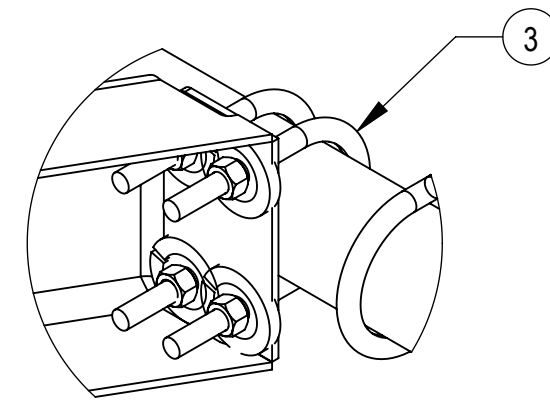
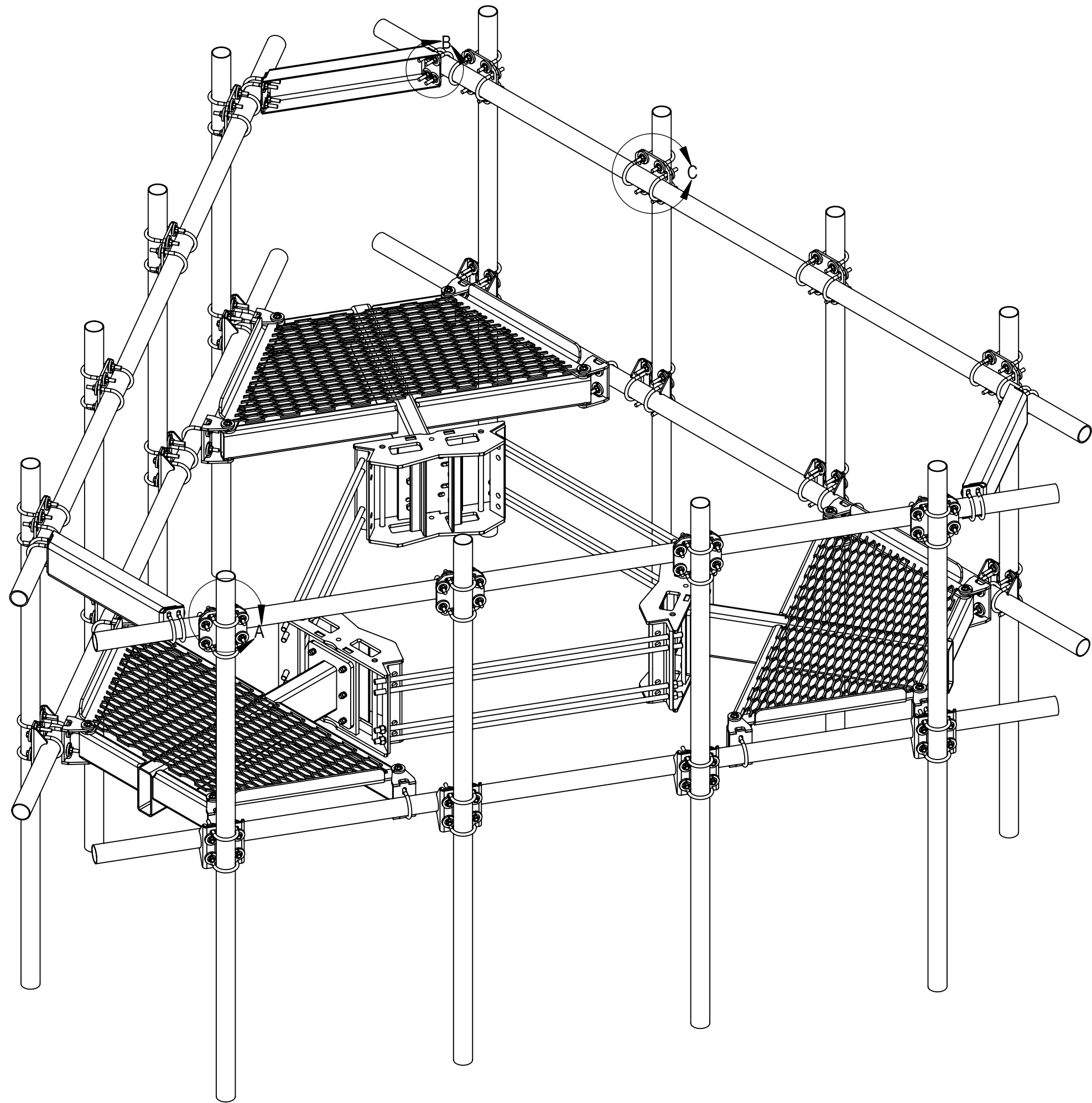
4

3

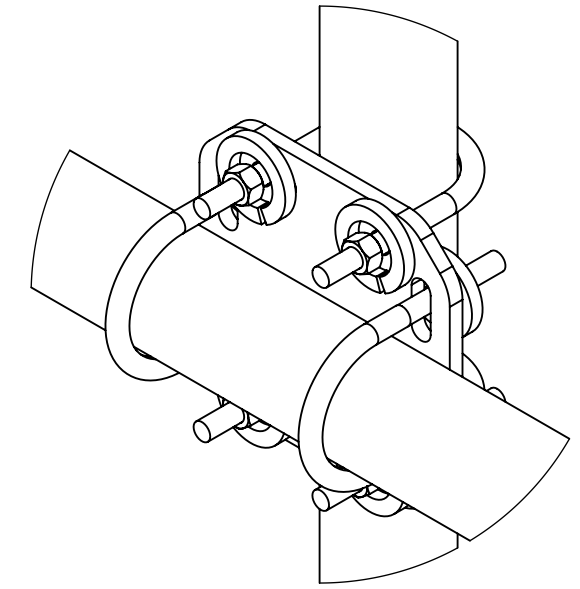
2

1

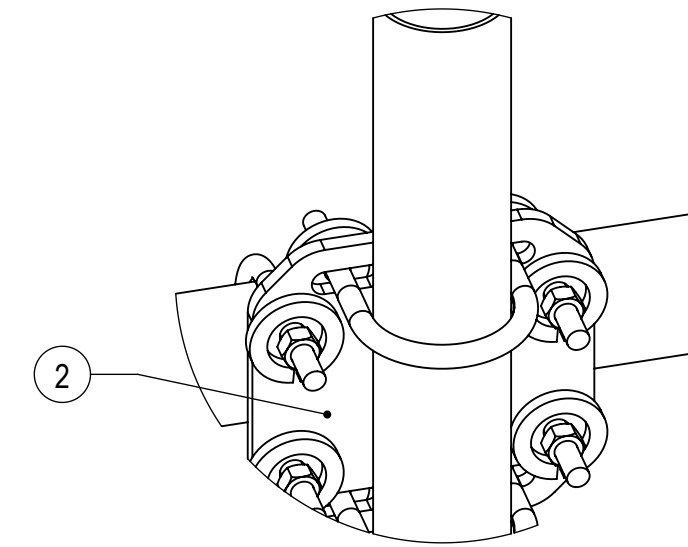
NOTES:



DETAIL B  
SCALE 1 : 4



DETAIL C  
SCALE 1 : 4



DETAIL A  
SCALE 1 : 4

IMAGE SHOWN IS MC-HR25X-12-12 MOUNTED TO A MC-PM SERIES PLATFORM TO DETAIL COMPONENT MOUNTING AND ASSEMBLY. THE PLATFORM, VERTICAL PIPES AND RING MOUNT ARE NOT INCLUDED IN THIS KIT.

COMMSCOPE, INC. OF NORTH CAROLINA				
TITLE HR, MONO PLATF, 2-7/8 x 12,12, 2-7/8 HRW				
SIZE <b>C</b>	SCALE <b>1:32</b>	DOCUMENT NO. <b>MC-HR25X-12-12</b>		
		DRAWING		SHEET 2 OF 2
		VERSION 01	STATUS RE	

4

3

2

1

D

D

C

C

B

B

A

A