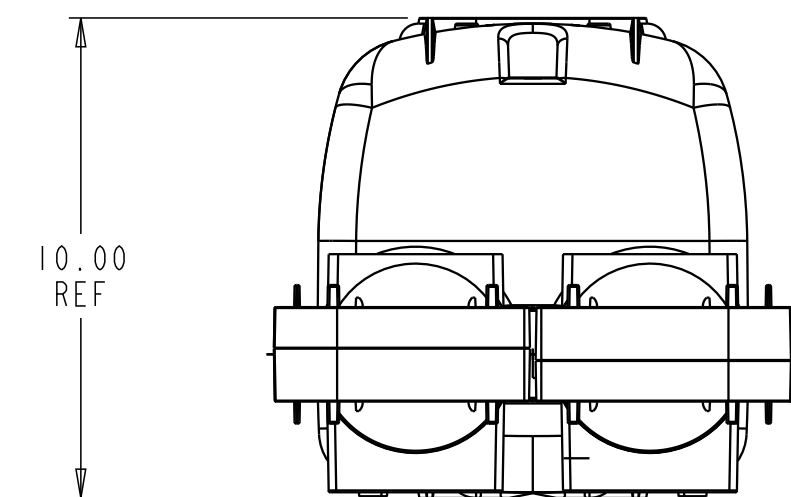
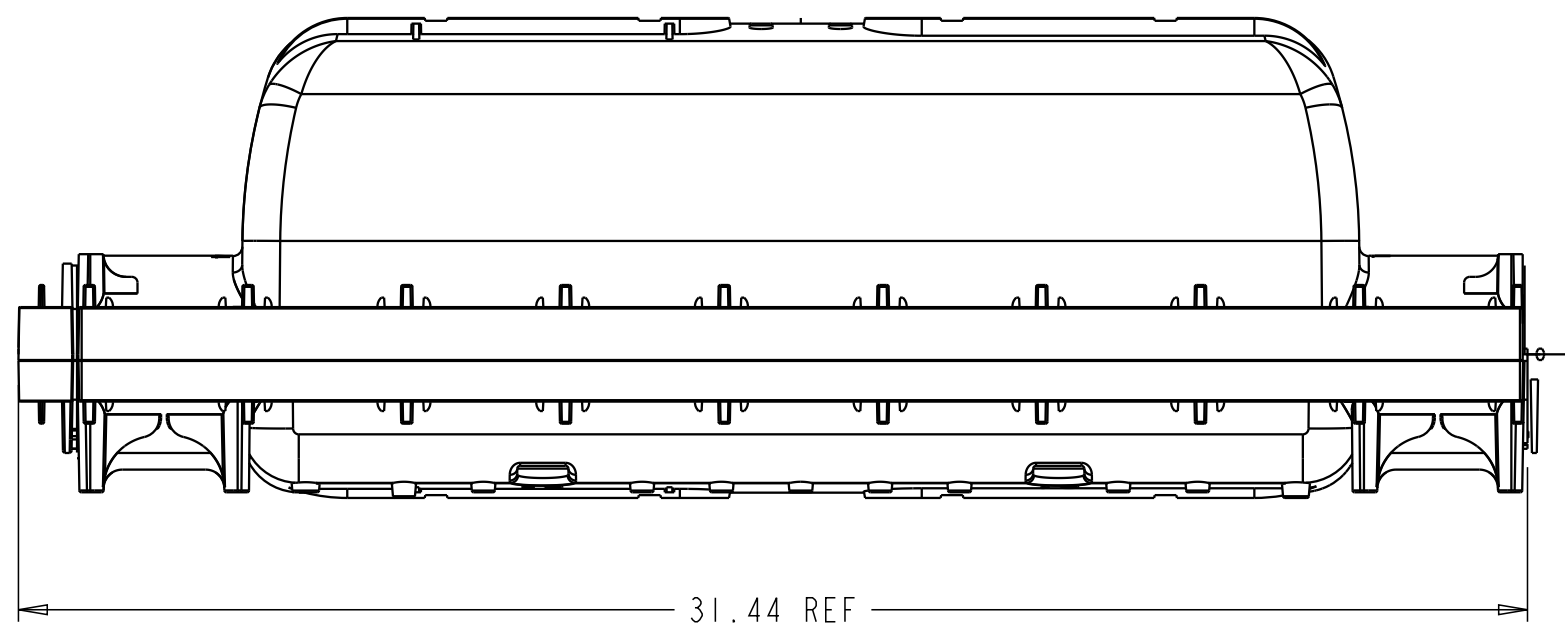
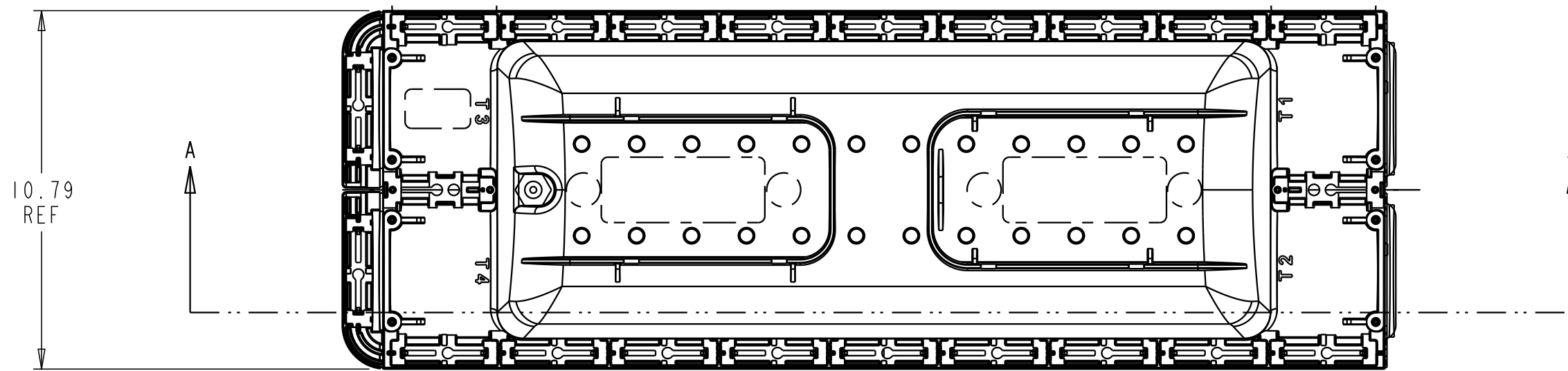
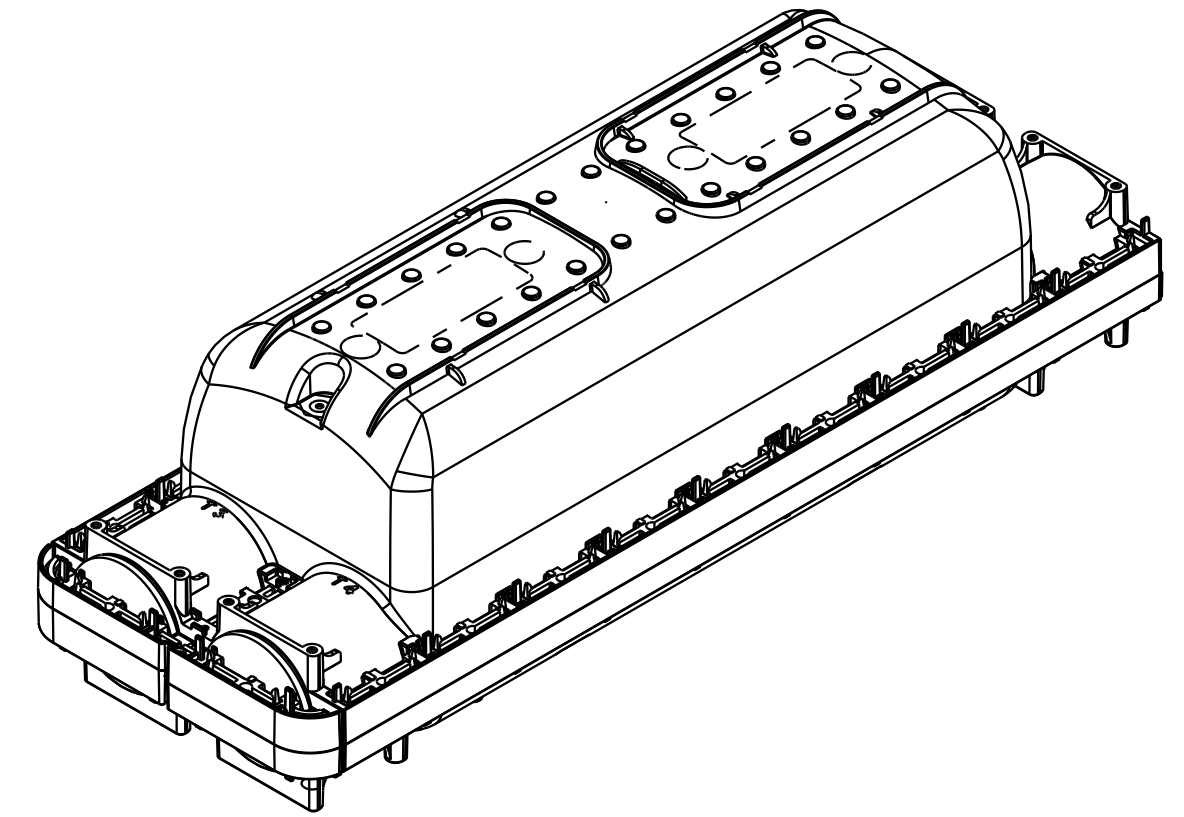
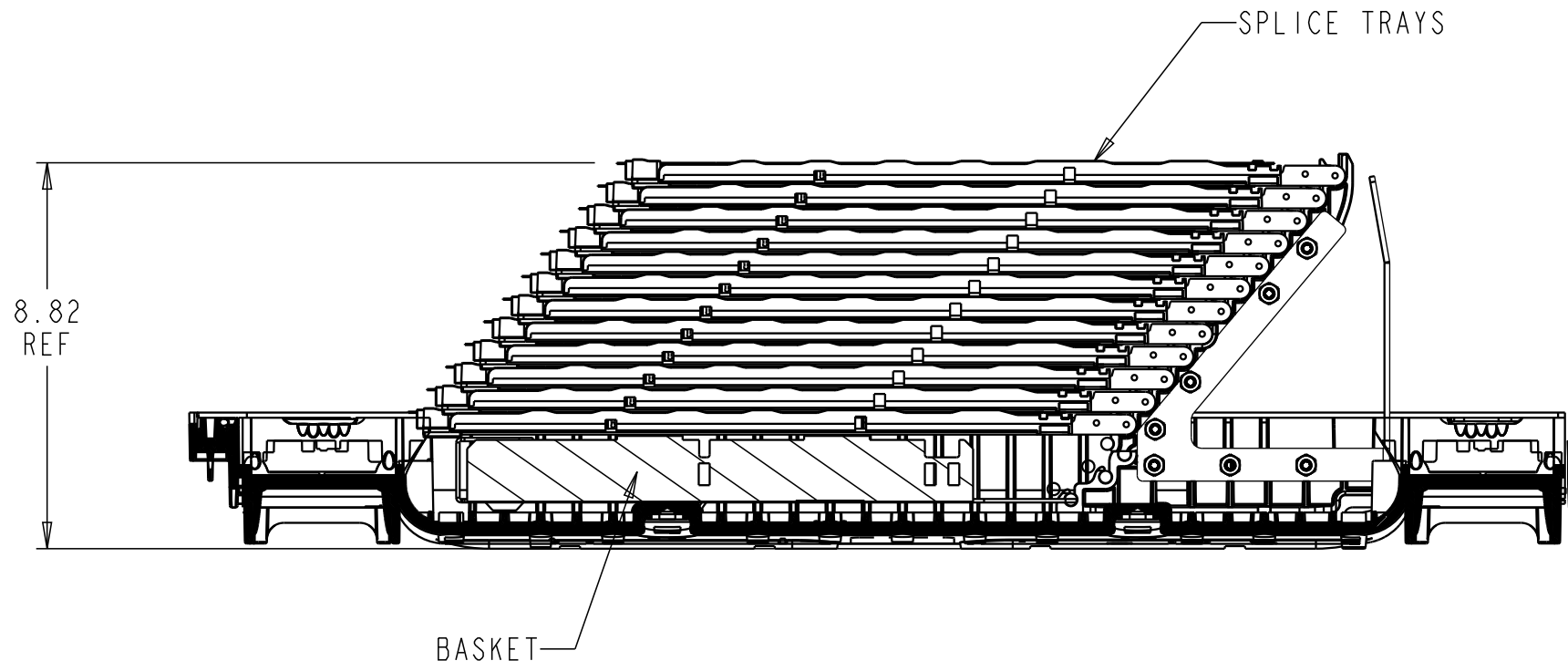


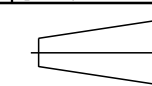
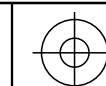
REV	MCO	DWN	DATE
A	40029910MCO	MAO	14-APR-16

SECTION A-A
SHOWN WITHOUT COVER FOR
CLARITY



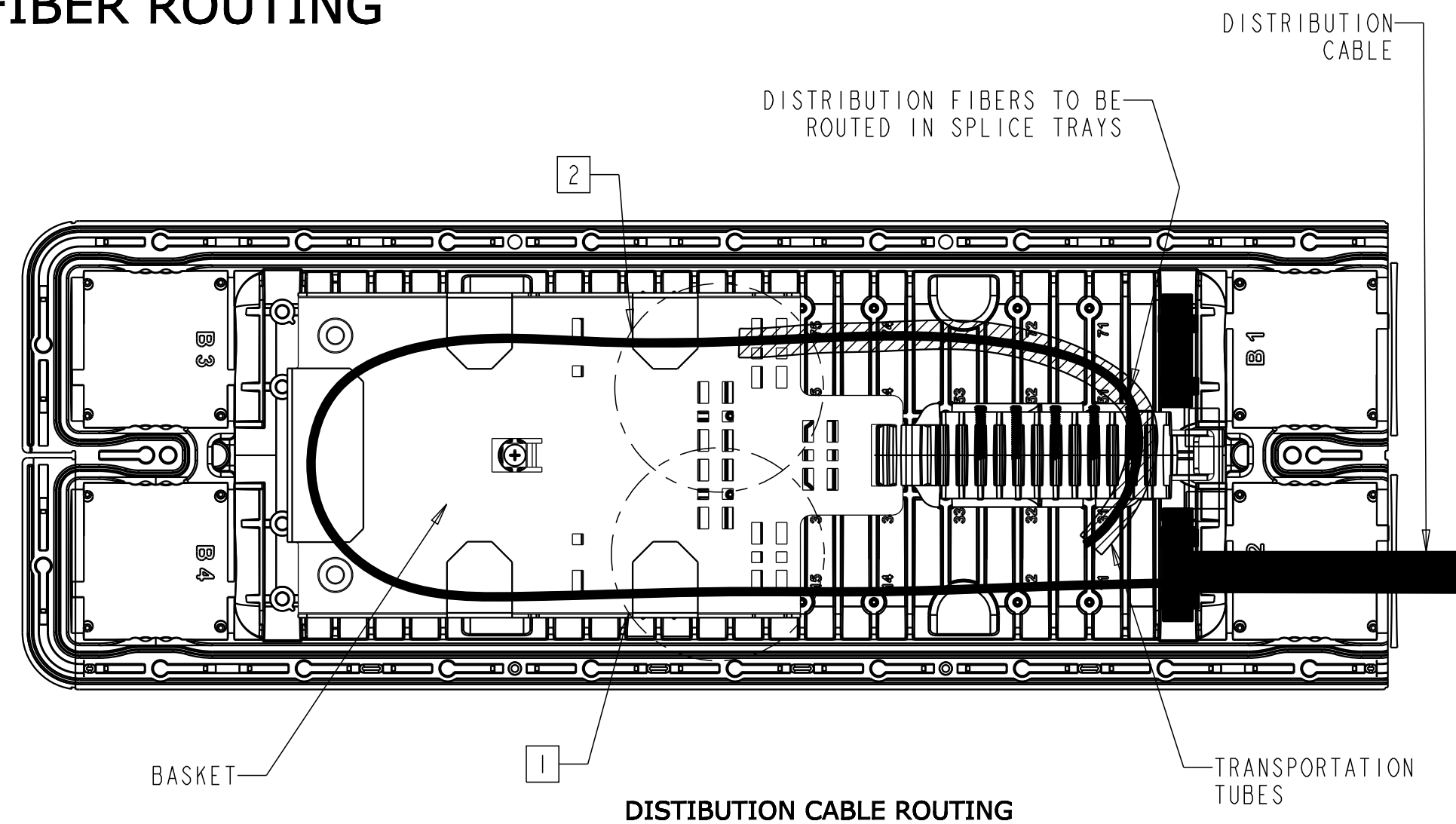
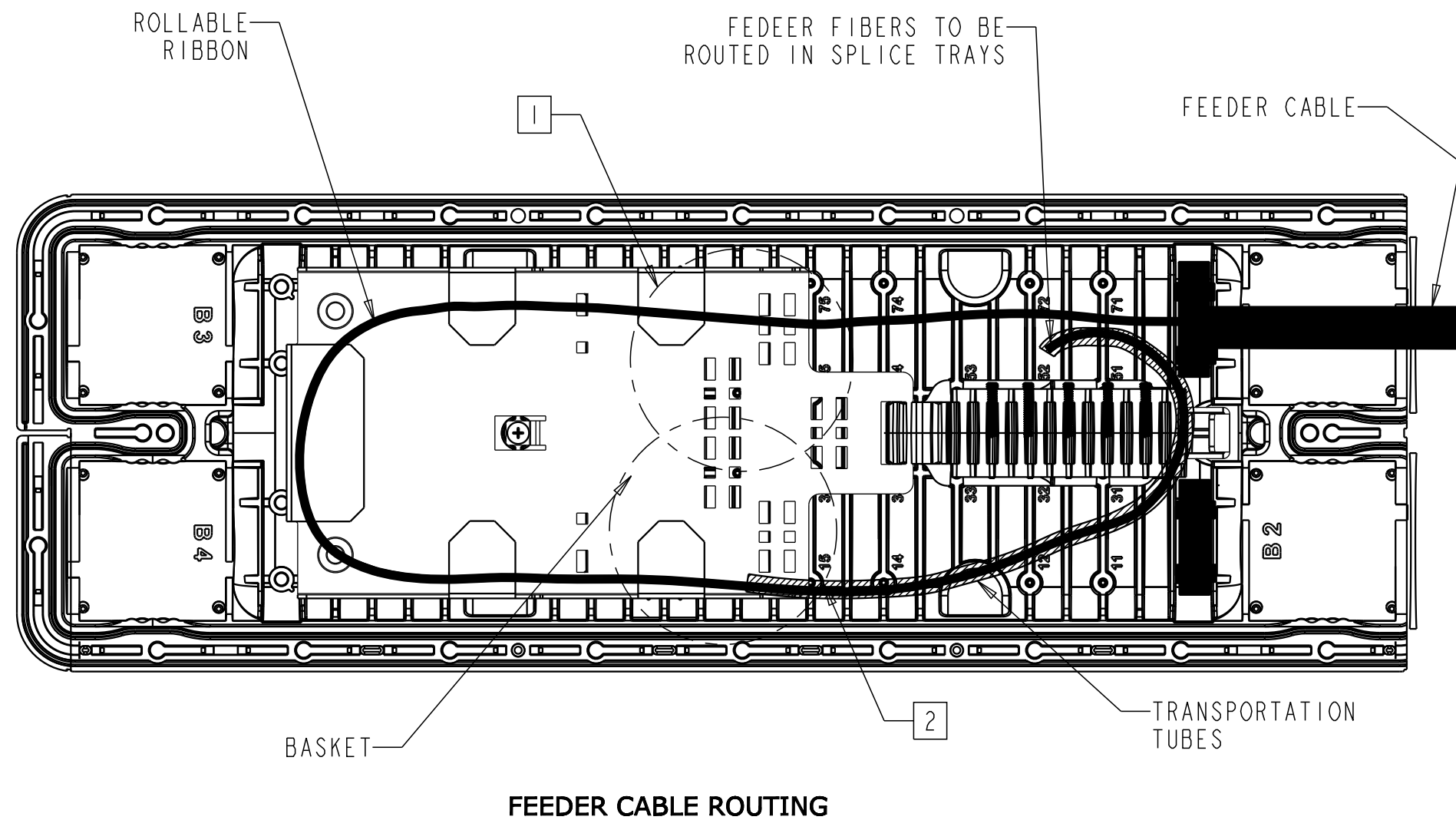
COMMSCOPE, INC.

<small>© 2016 COMMSCOPE, INC. CONFIDENTIAL NOTICE: THESE DRAWINGS AND SPECIFICATIONS ARE THE PROPRIETARY PROPERTY OF COMMSCOPE, INC. AND MAY BE USED ONLY FOR THE SPECIFIC PURPOSE AUTHORIZED IN WRITING BY COMMSCOPE, INC.</small>		TITLE FOSC 600D 3456 INSTALLATION DRAWING	
<small>ALL DIMS AND TOLERANCES ARE INCHES UNLESS OTHERWISE SPECIFIED</small>	<small>.XX:±N/A .XXX:±N/A ANGULAR:±N/A</small>	C SIZE DRAWING NUMBER NC-P5550	A REV
DO NOT SCALE DRAWING		ENGR: ARTURO MAYA DWN: MARIO ALONSO	SHT. 1 OF 2

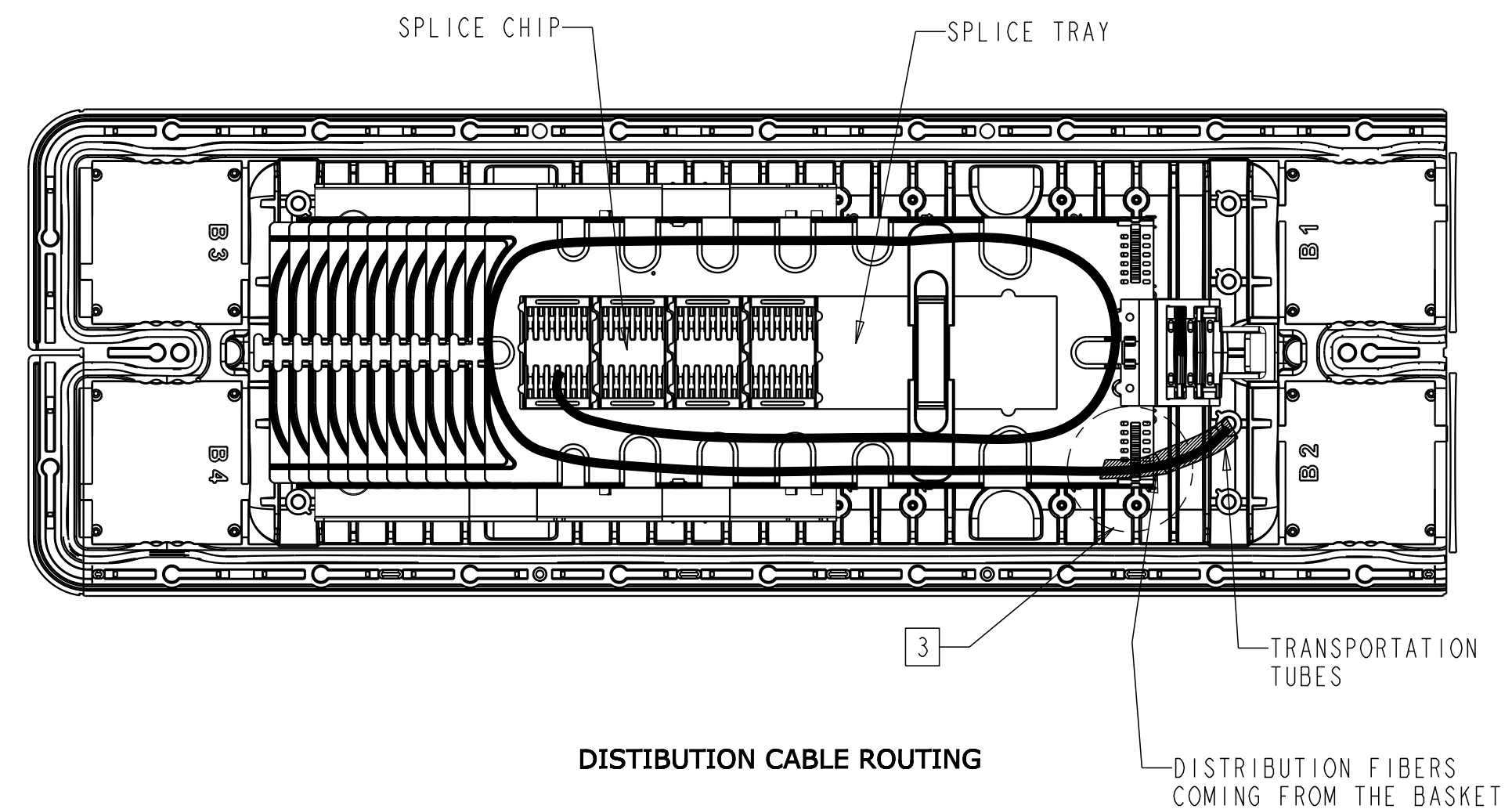
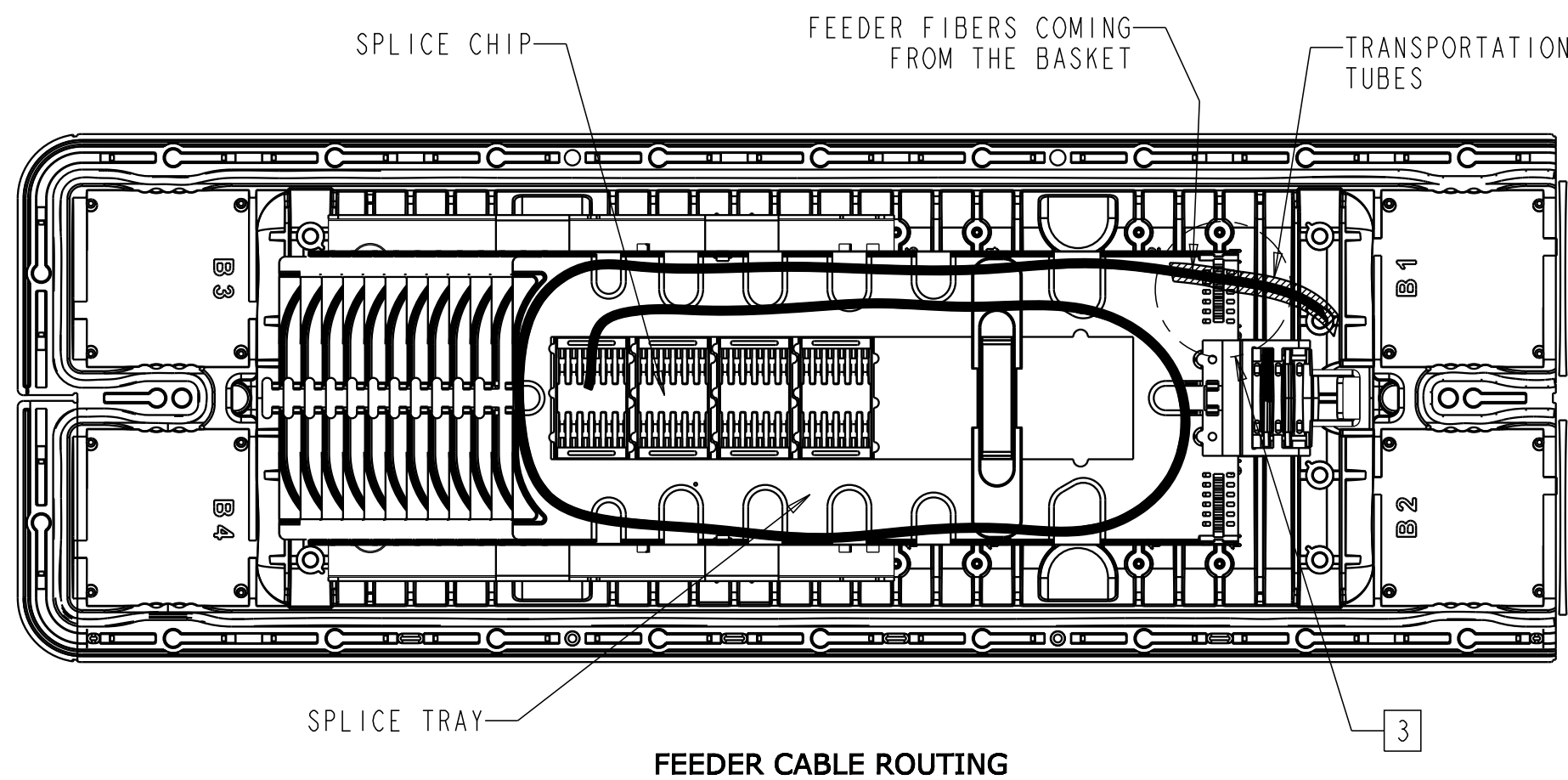


**DIMENSIONS IN INCHES
THIRD ANGLE PROJECTION**

BASKET FIBER ROUTING



SPLICE TRAY FIBER ROUTING



NOTES:

- 1 CENTRAL CORE TUBE OR MULTIPLE TUBES CONTAINING ALL THE FIBERS SHOULD BE TERMINATED IN THIS AREA. SECURE THE TUBE(S) TO THE BASKET USING BASKET TIE-DOWN SLOTS AND BLACK TIE WRAPS PROVIDED.
- 2 BARE FIBER LEAVING THE BASKET SHOULD BE PROTECTED ALL THE WAY UNTIL REACHING SPLICE TRAYS. TO PROTECT THE FIBERS USE THE TRANSPORTATION TUBES PROVIDED (144 FIBERS PER TRANSPORTATION TUBE). SECURE THE TRANSPORTATION TUBES TO THE BASKET USING BASKET TIE-DOWN SLOTS AND BLACK TIE WRAPS PROVIDED.
- 3 SECURE THE TRANSPORTATION TUBES ENTERING EACH SPLICE TRAY USING TIE-DOWN SLOTS AND WHITE TIE WRAPS PROVIDED.

COMMSCOPE, INC.

© 2016 COMMSCOPE, INC. CONFIDENTIAL NOTICE: THESE DRAWINGS AND SPECIFICATIONS ARE THE PROPRIETARY PROPERTY OF COMMSCOPE, INC. AND MAY BE USED ONLY FOR THE SPECIFIC PURPOSE AUTHORIZED IN WRITING BY COMMSCOPE, INC.		TITLE FOSC 600D 3456 INSTALLATION DRAWING	
ALL DIMS AND TOLERANCES ARE INCHES UNLESS OTHERWISE SPECIFIED	.XX:±N/A .XXX:±N/A ANGULAR:±N/A	C SIZE	DRAWING NUMBER NC-P5550
DO NOT SCALE DRAWING	ENGR: ARTURO MAYA DWN: MARIO ALONSO	A REV	
		SHT. 2 OF 2	

DIMENSIONS IN INCHES
THIRD ANGLE PROJECTION