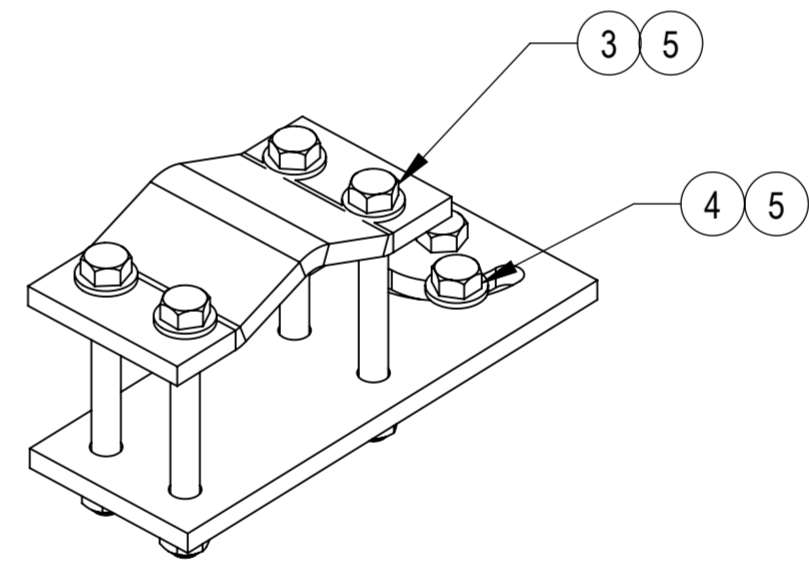
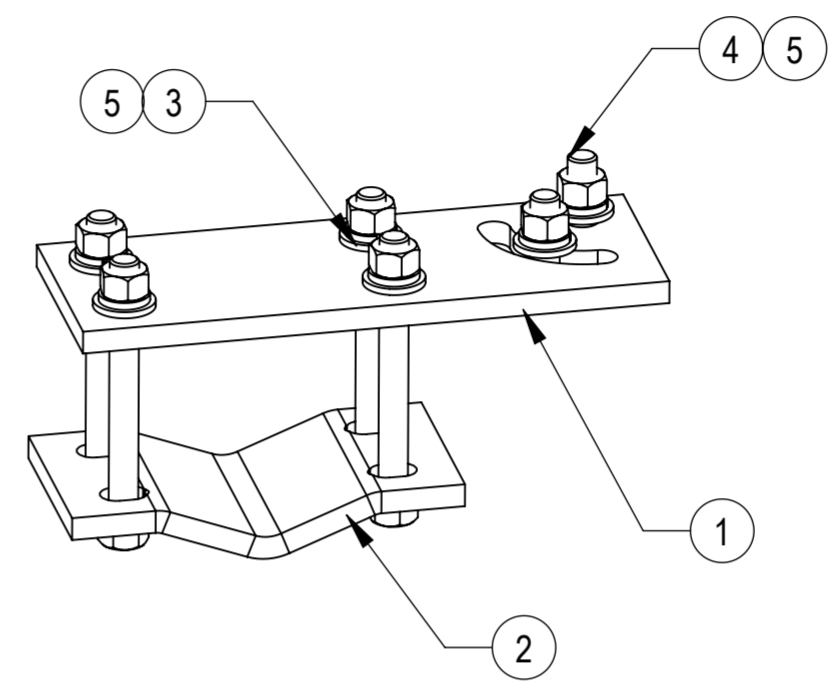
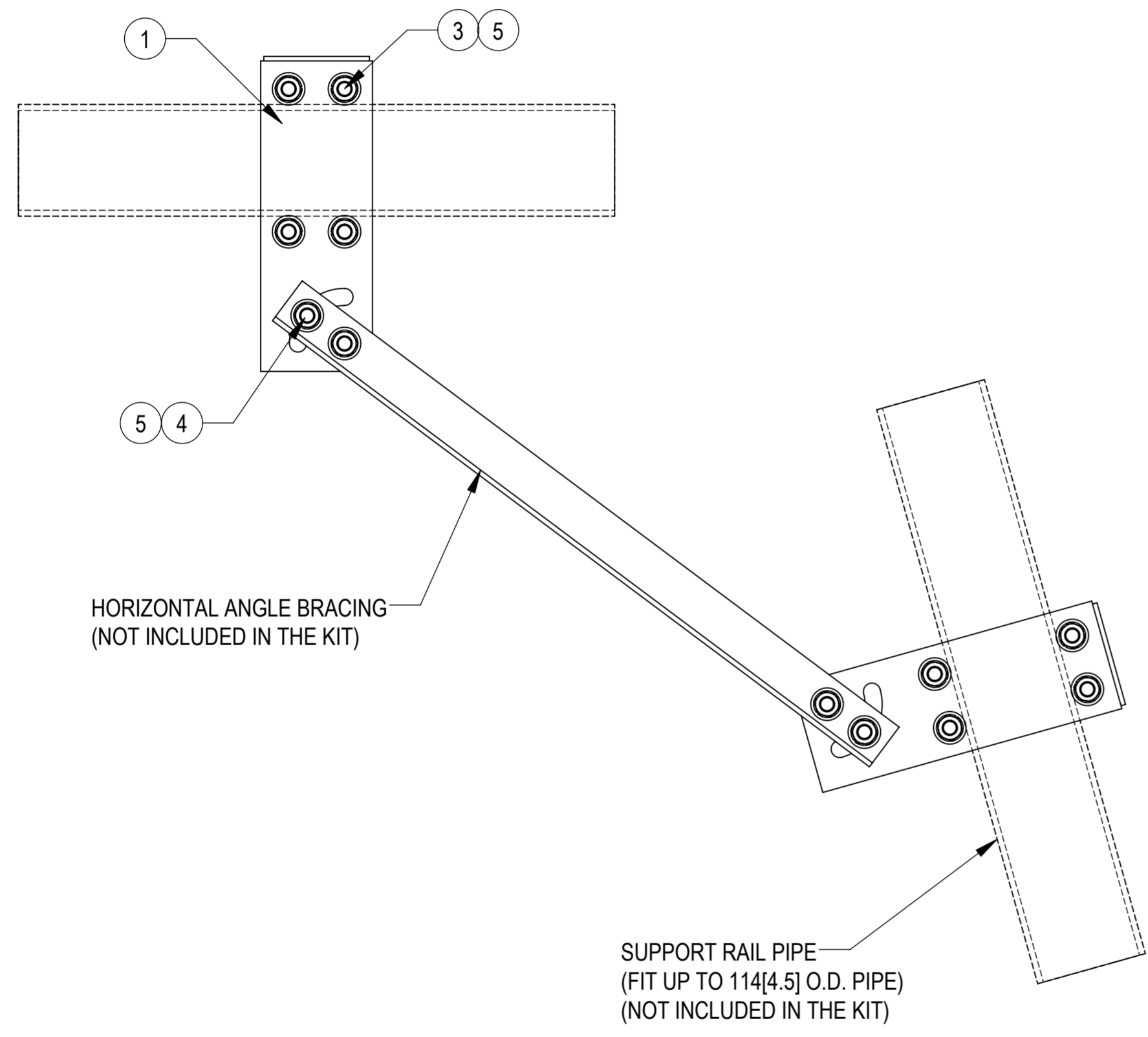


- 1.0 GENERAL NOTES
 1.1 ALL IMPERIAL DIMENSIONS ARE IN BRACKETS [X.XX]
 1.2 MARK PART WITH IDENTIFICATION NUMBER
 2.0 DESIGN NOTES
 3.0 MANUFACTURING/SPECIAL REQUIREMENTS
 3.1 TIGHTEN ALL BOLTS SECURING FLAT PLATES BY THE TURN-OF-NUT METHOD. TIGHTEN ALL U-BOLTS USING TURN-OF-NUT METHOD WITH ATTENTION TO LEAVE EQUAL DISTANCE AND EQUAL FORCE ON EACH LEG OF THE U-BOLT.
 4.0 TEST
 5.0 PACKAGING
 5.1 PACKAGING SHALL MEET COMMSCOPE REQUIREMENTS PER DOCUMENT IS-PL-3005
 5.2 PRINTED DOCUMENT TO BE PLACED INSIDE POLYBAG AND THEN IN SHIPPING CONTAINER
 5.3 EXTRA HARDWARE MAYBE SUPPLIED, BAGGED AND SHIPPED

REVISIONS			
REV.	DESCRIPTION	DATE	APPROVED
A	INITIAL RELEASE	JL1183 16MAR23	JAHAINES 40168212CMO



COMPONENT PART NUMBERS PROVIDED FOR ASSEMBLY PURPOSES;
 INDIVIDUAL COMPONENTS MAY BE SHIPPED AS PARTS WITHIN AN INCLUDED KIT.

ITEM NO.	PART NUMBER	DESCRIPTION	QTY.	NOTE NO.
1	PL5-451205	PLATE, ANGLE CORNER BRACKET	2	
2	V-CLAMP	CLAMP, 4 SLOT V	2	
3	GB-05605FT	5/8" X 6" GALV BOLT KIT FULL THREAD	8	
4	GB-0520A	5/8" X 2" GALV BOLT KIT (A325)	4	
5	GWF05A	GALV FLAT WASHER HARDENED 5/8", 1.30D	22	

COMMSCOPE, INC. OF NORTH CAROLINA

TOLERANCES		SAP MATERIAL MASTER	
0 PLACE X[.X] ± 6[0.25]	2 PLACE .XX[.XXX] ± 1.50[0.06]	MUK-MSK8	
1 PLACE .X[.XX] ± 3.0[0.12]	ANGLES ± 2°		
FINISH		MATERIAL	
<small>UNLESS OTHERWISE SPECIFIED DIMENSIONS ARE IN MILLIMETERS INTERPRET PER ANSI Y14.5M-1994</small>		UNIVERSAL ANGLE CORNER CONNECTION BRCKT	
		MUK-MSK8	
		SCALE: 1:8	
		DOCUMENT NO.	
		MUK-MSK8	
SIZE: A2	Auth Group: INSL	MODEL: REVISION: 03	DRAWING: VERSION: 00 STATUS: RE REVISION: A
HEIGHT: 163.7[6.4]	LENGTH: 317.8[12.5]	WIDTH: 114.3[4.5]	SHEET: 1 OF 1