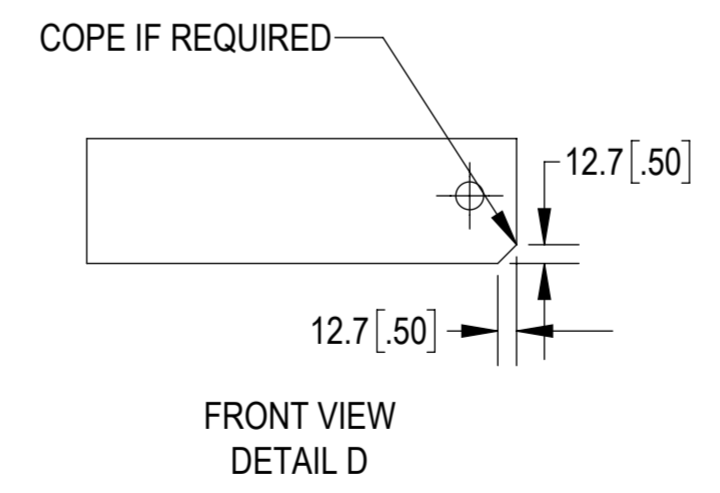
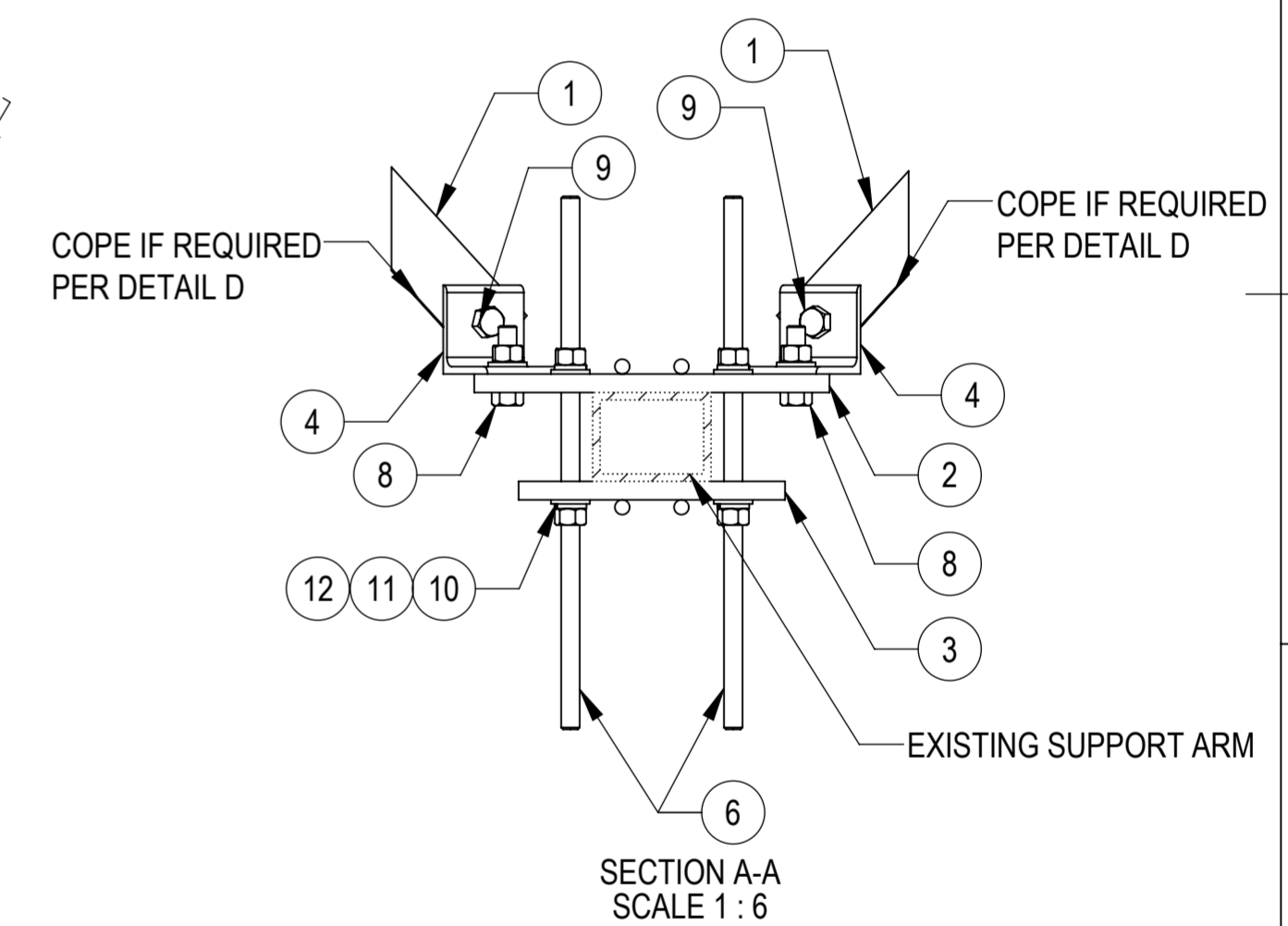
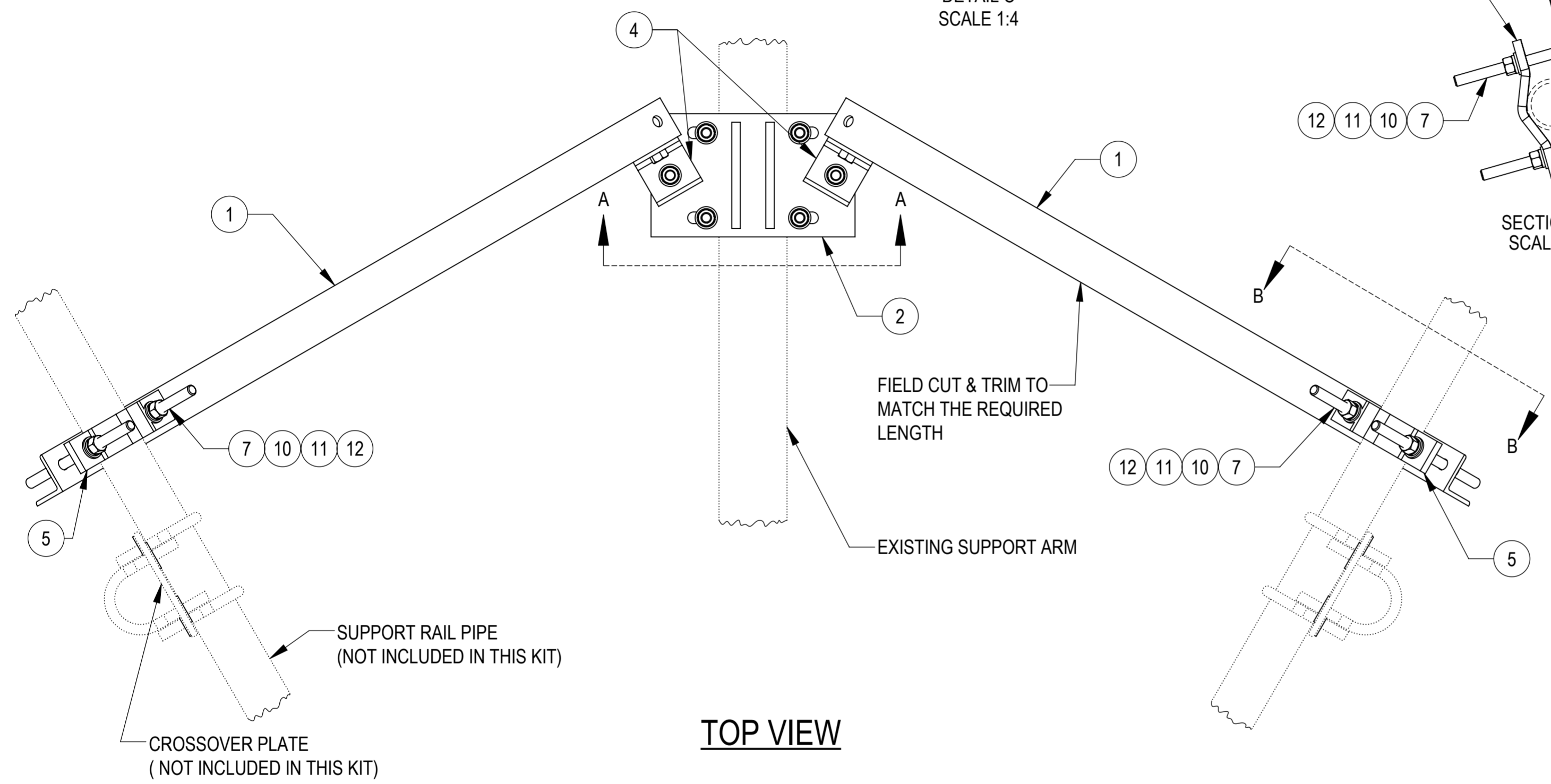
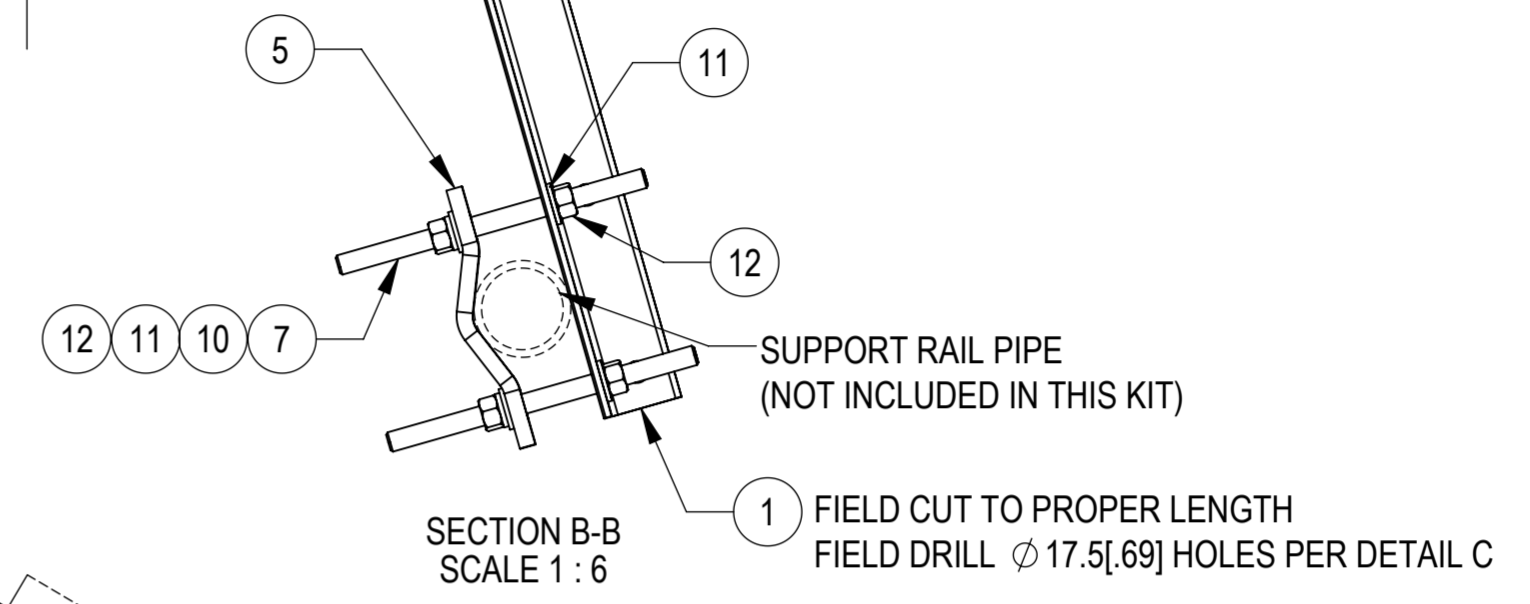
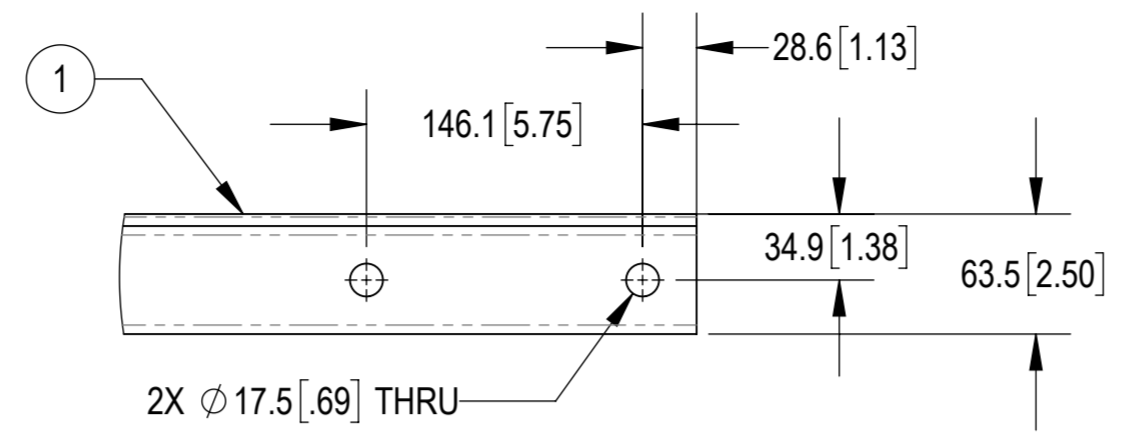


- 1.0 GENERAL NOTES  
 1.1 ALL IMPERIAL DIMENSIONS ARE IN BRACKETS [X.XX]  
 1.2 MARK PART WITH IDENTIFICATION NUMBER
- 2.0 DESIGN NOTES
- 3.0 MANUFACTURING/SPECIAL REQUIREMENTS  
 3.1 TIGHTEN ALL BOLTS SECURING FLAT PLATES BY THE TURN-OF-NUT METHOD. TIGHTEN ALL U-BOLTS USING TURN-OF-NUT METHOD WITH ATTENTION TO LEAVE EQUAL DISTANCE AND EQUAL FORCE ON EACH LEG OF THE U-BOLT.
- 4.0 TEST
- 5.0 PACKAGING  
 5.1 PACKAGING SHALL MEET COMMScope REQUIREMENTS PER DOCUMENT IS-PL-3005  
 5.2 PRINTED DOCUMENT TO BE PLACED INSIDE POLYBAG AND THEN IN SHIPPING CONTAINER  
 5.3 EXTRA HARDWARE MAYBE SUPPLIED, BAGGED AND SHIPPED

REVISIONS			
REV.	DESCRIPTION	DATE	APPROVED
A	INITIAL RELEASE	JL1183 16MAR23	JAHAINES 40168212CMO



COMPONENT PART NUMBERS PROVIDED FOR ASSEMBLY PURPOSES;  
 INDIVIDUAL COMPONENTS MAY BE SHIPPED AS PARTS WITHIN AN INCLUDED KIT.

ITEM	PART NO.	DESCRIPTION	QTY.	NOTE
1	A-SFK3-01	ANGLE 2-1/2" X 2-1/2" X 1/4"	2	
2	PLK8-F1-2	WELDMENT, TOP MOUNTING PLATE	1	
3	PLK8-F2-3	WELDMENT, BOTTOM MOUNTING PLATE	1	
4	AL-333	BRACKET, V-BRACING CLIP	2	
5	VCP	CLAMP, MOUNTING	2	
6	MT-382-18	5/8" X 18" GALV THREADED ROD	4	
7	MT-381-10	5/8" X 10" GALV THREADED ROD	4	
8	GB-0522A	5/8" X 2-1/4" GALV BOLT KIT (A325)	2	INCLUDES BOLT, LOCK WASHER AND NUT
9	GB-0516A	5/8" X 1-3/4" GALV BOLT KIT A325	2	INCLUDES BOLT, LOCK WASHER AND NUT
10	GWF05A	GALV FLAT WASHER HARDENED 5/8", 1.30D	20	
11	GWL-05	5/8" GALV LOCK WASHER	16	
12	GN-05	5/8" GALV HEX NUT	16	

**COMMScope, INC. OF NORTH CAROLINA**

TOLERANCES		SAP MATERIAL MASTER	
0 PLACE X[X] ± 3[0.1]	2 PLACE .XX[.XXX] ± 0.76[0.030]	<b>MUK-PLK8</b>	
1 PLACE .X[.XX] ± 1.5[0.06]	ANGLES ± 1°		
FINISH		MATERIAL	
<small>UNLESS OTHERWISE SPECIFIED DIMENSIONS ARE IN MILLIMETERS INTERPRET PER ANSI Y 14.5M-1994</small>		NAME	DATE
		CE JL1183	16MAR23
		RW JL1183	03/21/2023
		AD YW1045	03/23/2023
TITLE		DOCUMENT NO.	
<b>SUPPORT RAIL BRACING KIT</b>		<b>MUK-PLK8</b>	
		SCALE	1:6
ECN 40168212CMO	SIZE	Auth Group	INSL
HEIGHT (305[12.0])	VERSION	00	RE
LENGTH (457[178.0])	STATUS	RE	A
WIDTH (254[10.0])	REVISION	A	
	VERSION	00	RE
	STATUS	RE	A
	REVISION	A	

SHEET 1 OF 1