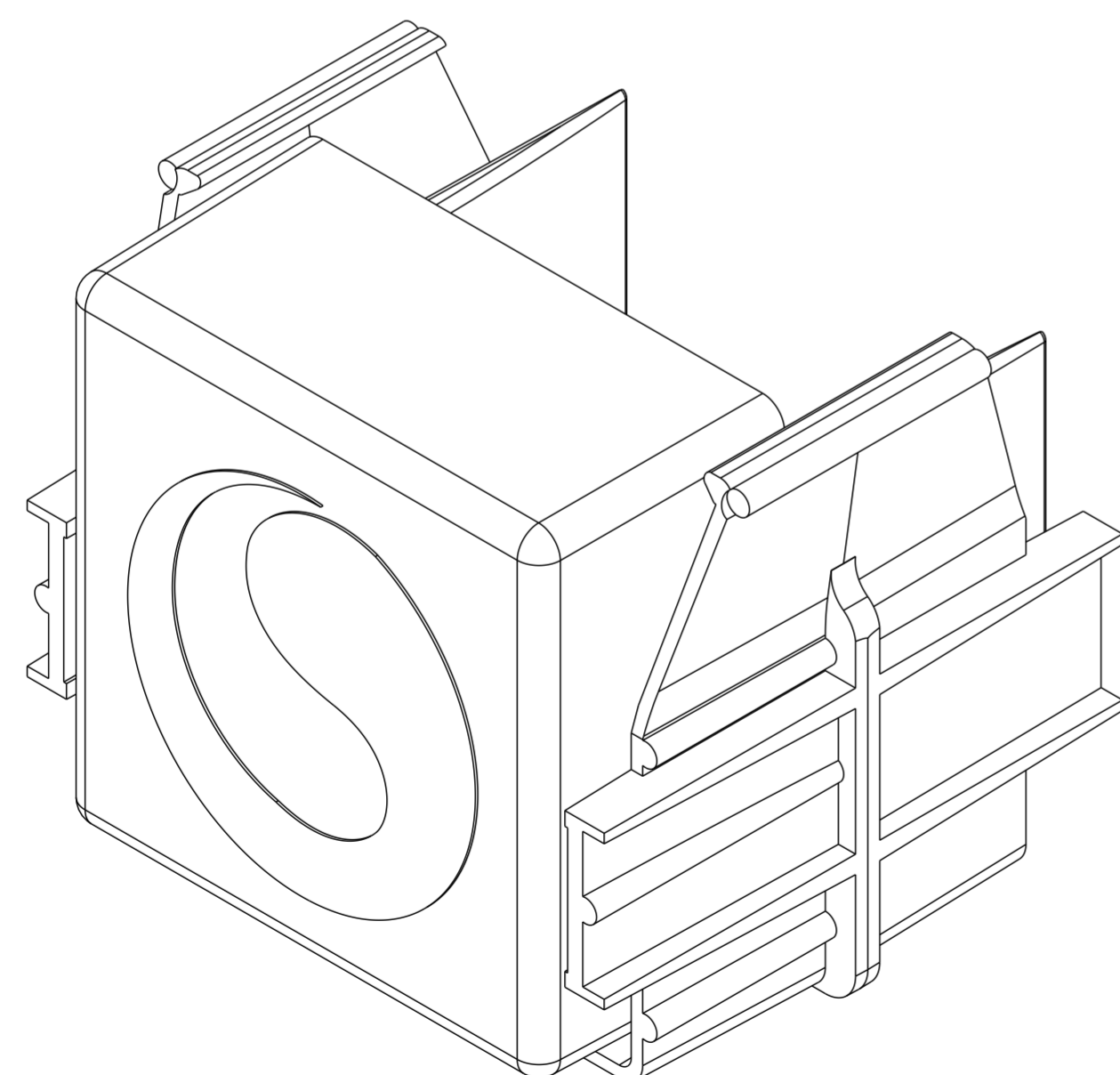
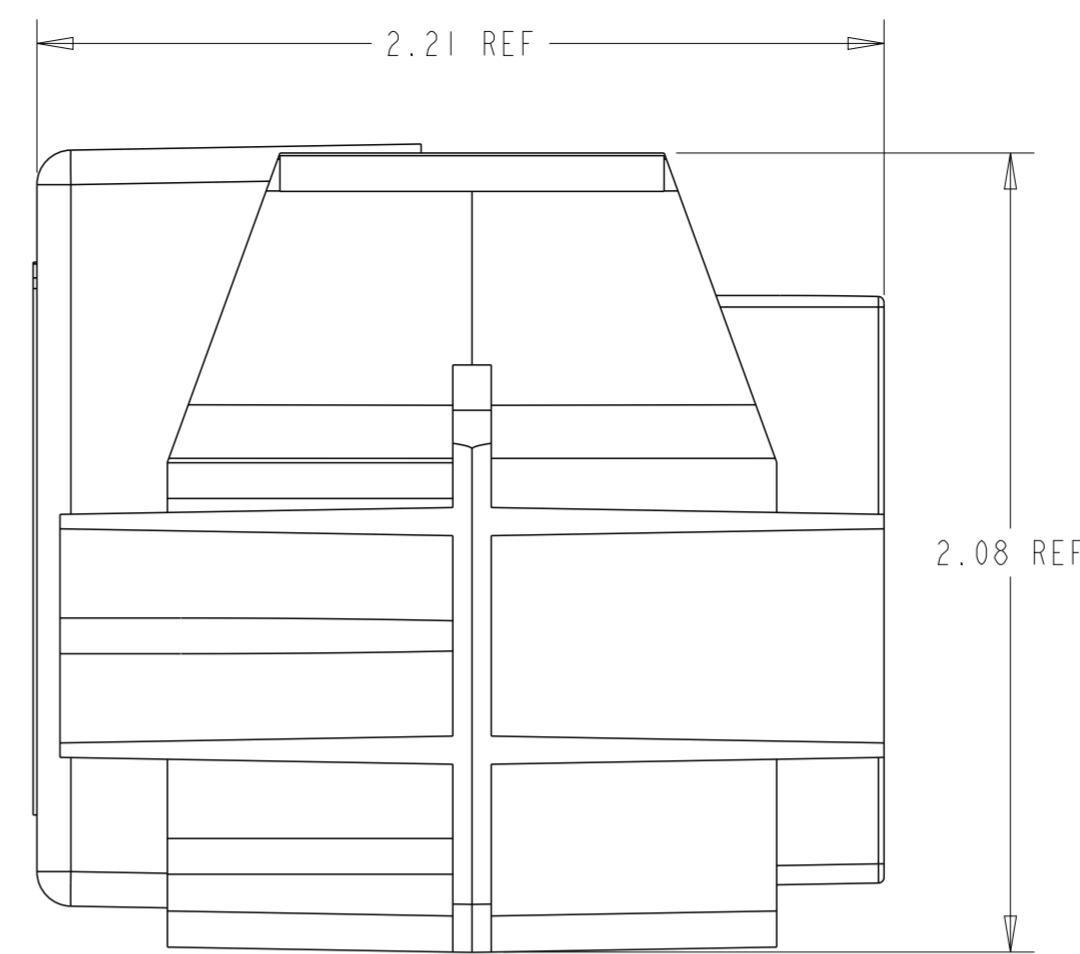
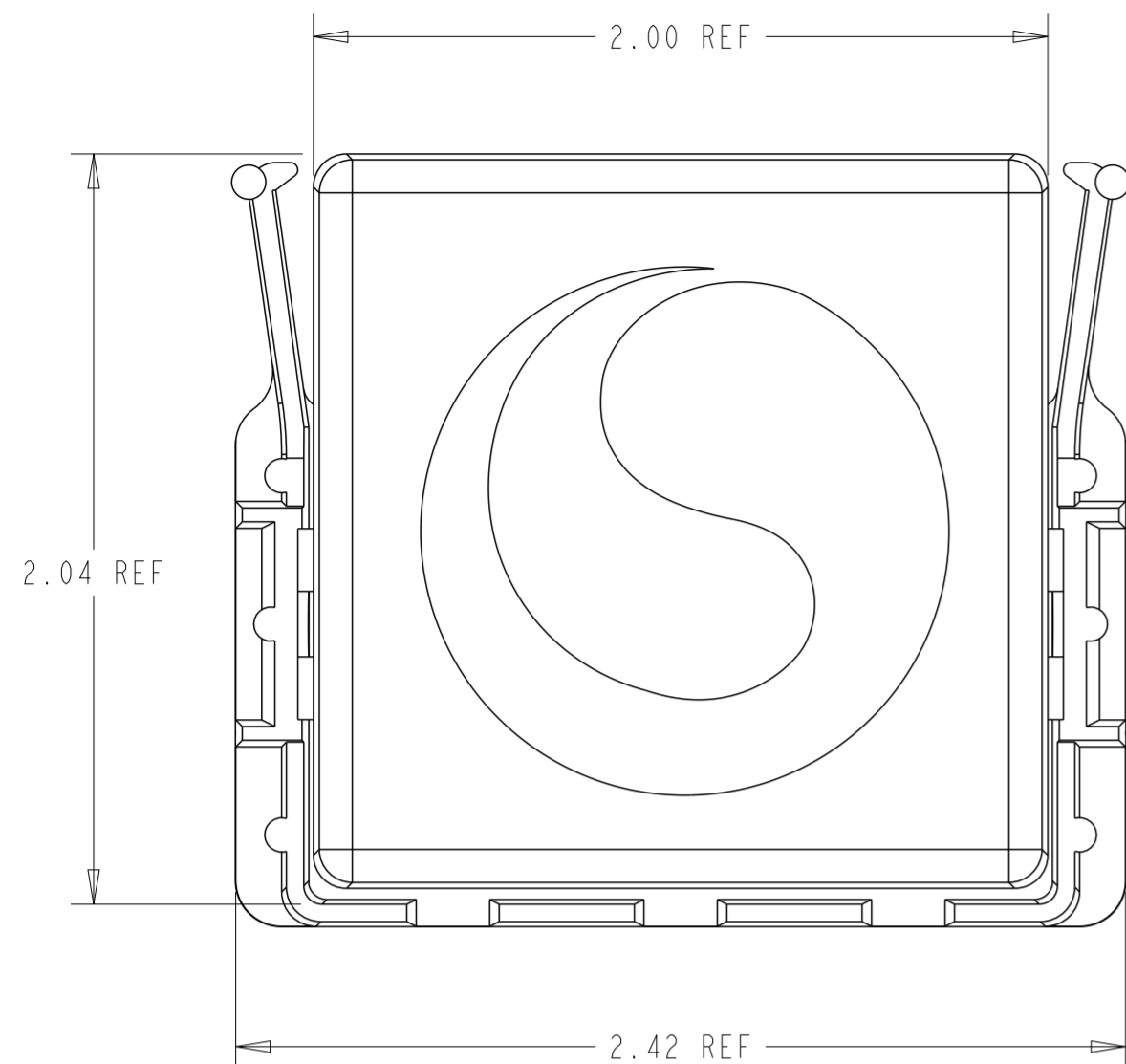


REV	CMO	DWN	DATE
	40094784CMO	RAT	12-AUG-19



THIS KIT INCLUDE		
ITEM	DESCRIPTION	QTY
001	2X2 JUNCTION	1
002	ENDCAP FIVE SIDED 2X2	1
004	ASSY KIT HARDWARE YELL	1
005	EXTRUDED COVER FGS 2X2	1
006	TROUGH, EXTRUDED, FGS, 2X2 YEL	1
007	FIBER MOUNTING BRKT	10
008	FIBERGUIDE SPRING CONCTR	2

FGS-ACC137	YELLOW
CATALOG NUMBER	COLOR

COMMSCOPE, INC.			
DRAFTER RUBEN ARVILLA	TITLE ***, ***		
ENGINEER RUBEN ARVILLA	SIZE A2	SCALE 2.000	DOCUMENT NO. 660003772
CUSTOMER DRAWING			REVISION A
			SHEET 1 OF 1