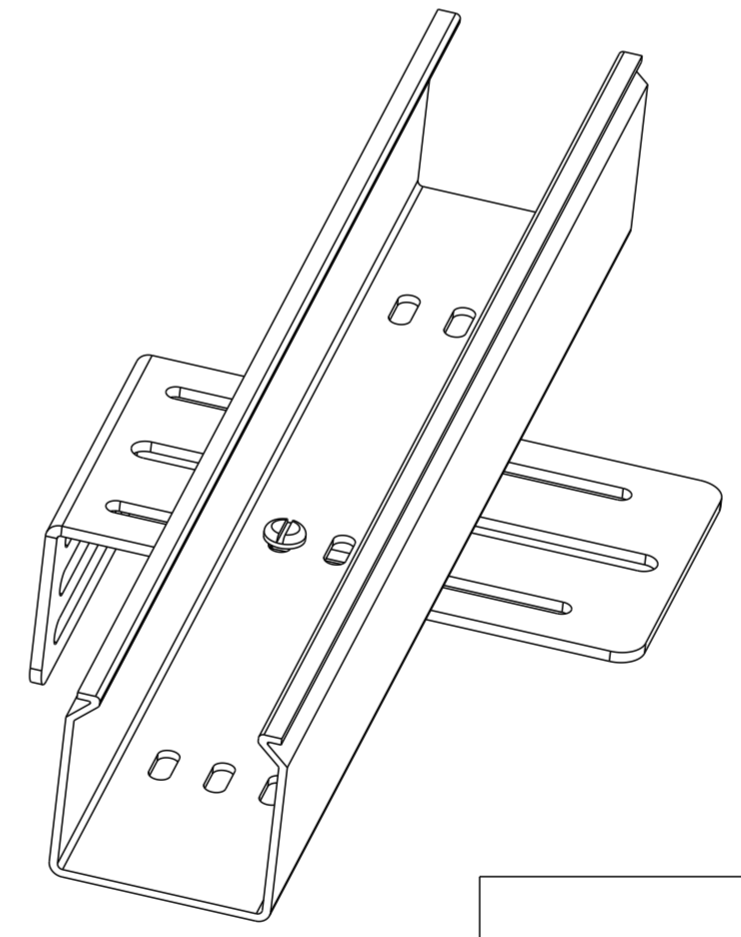
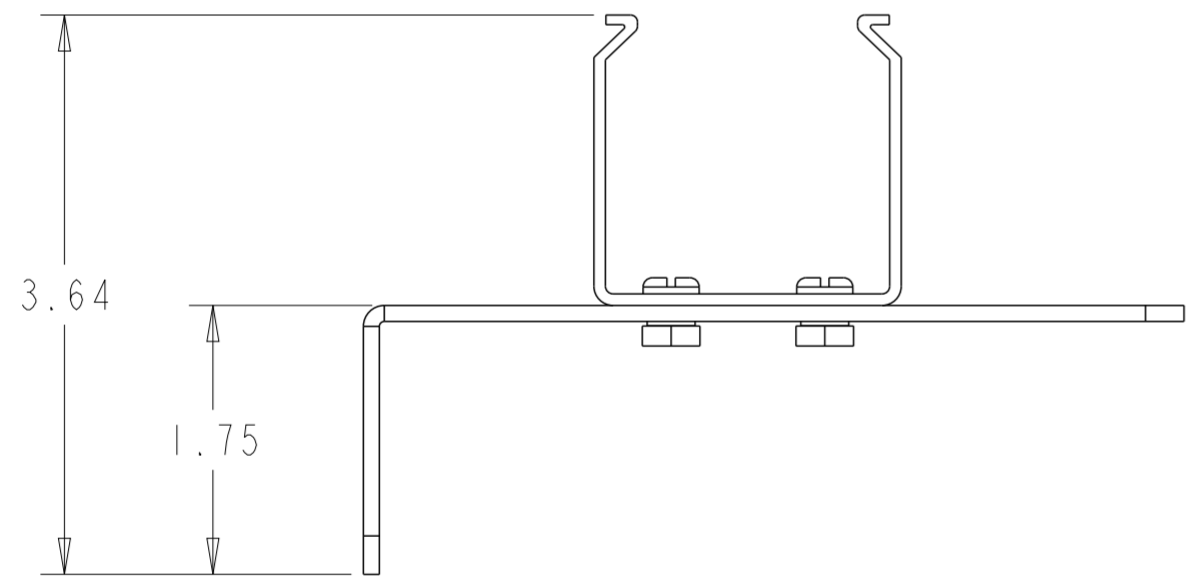
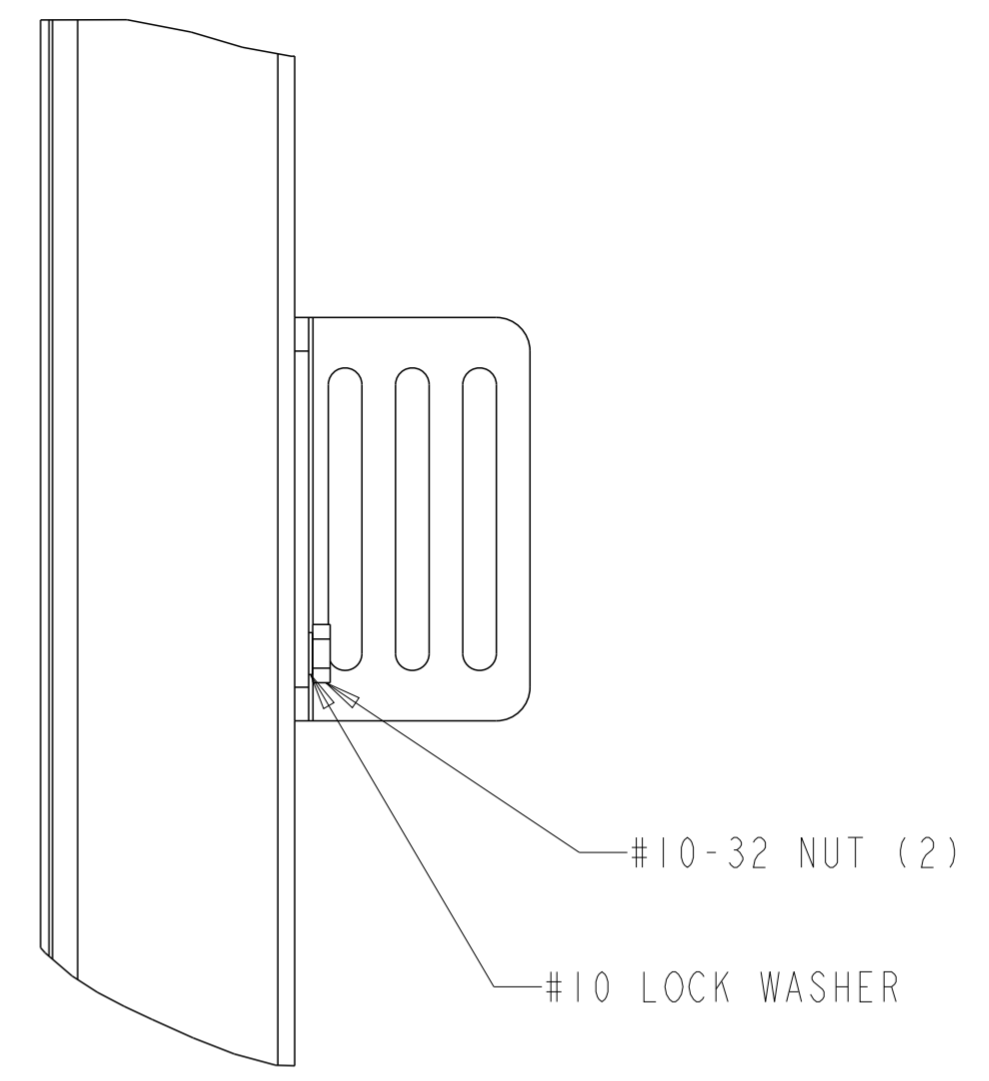
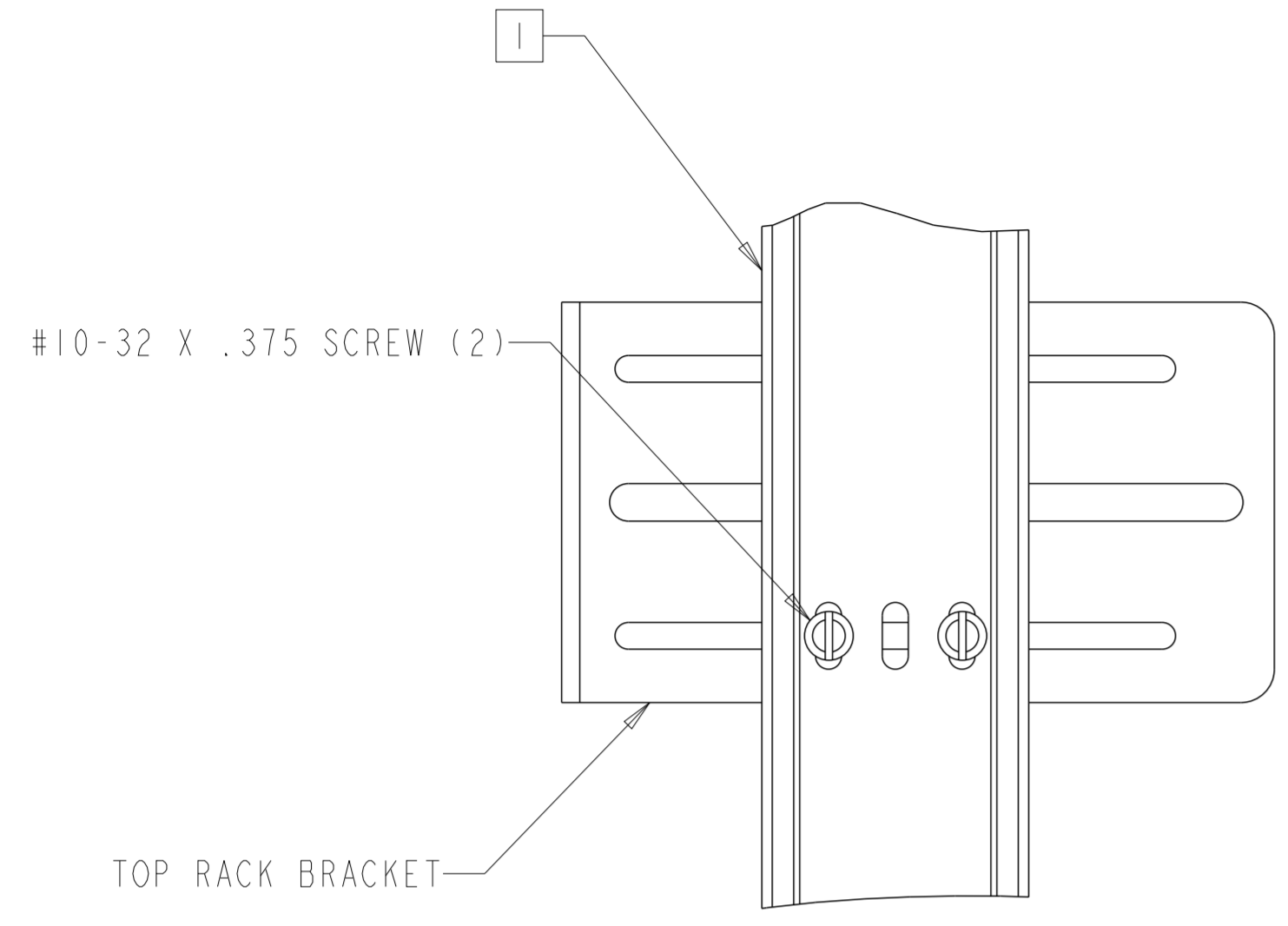


REVISIONS			
REV	DESCRIPTION	DATE	APPROVED
B	20008845	04/14/98	MJM
C	40123911CMO	24-FEB-2021	MAM



- NOTES:
- 1. FGS-MSHA-C, NOT INCLUDED IN KIT.
 - 2. (2) #12-24 SCREWS AND WASHERS ARE PROVIDED FOR ATTACHING TO THE RACK.

COMMSCOPE, INC.									
TOLERANCES					SAP MATERIAL MASTER				
SEE TABLE									
FINISH					MATERIAL				
SEE BOM					SEE BOM				
UNLESS OTHERWISE SPECIFIED DIMENSIONS ARE IN INCHES	DRAFTER			TITLE					
	MIGUEL MUÑOZ			FIBERGUIDES TOP RACK BRACKET, SHORT		INSTALLATION DRW			
	CHECKER								
	RUBEN ARVILLA								
ENGINEER			SIZE	SCALE	DOCUMENT NO.				
RUBEN ARVILLA			A2	0.500	4-29000-3221				
CMO			40123911CMO						
ALL SURFACES		AUTH GRP: ISPF		MODEL		DRAWING		SHEET	
✓		⊕		VERSION		STATUS		REVISION	
				00		00		RE C	
								1 OF 1	

© 2021 CommScope, Inc. Confidential
 NOTICE: These drawings and specifications are the proprietary property of COMMSCOPE, INC. and may be used only for the specific purpose authorized in writing by COMMSCOPE, INC.