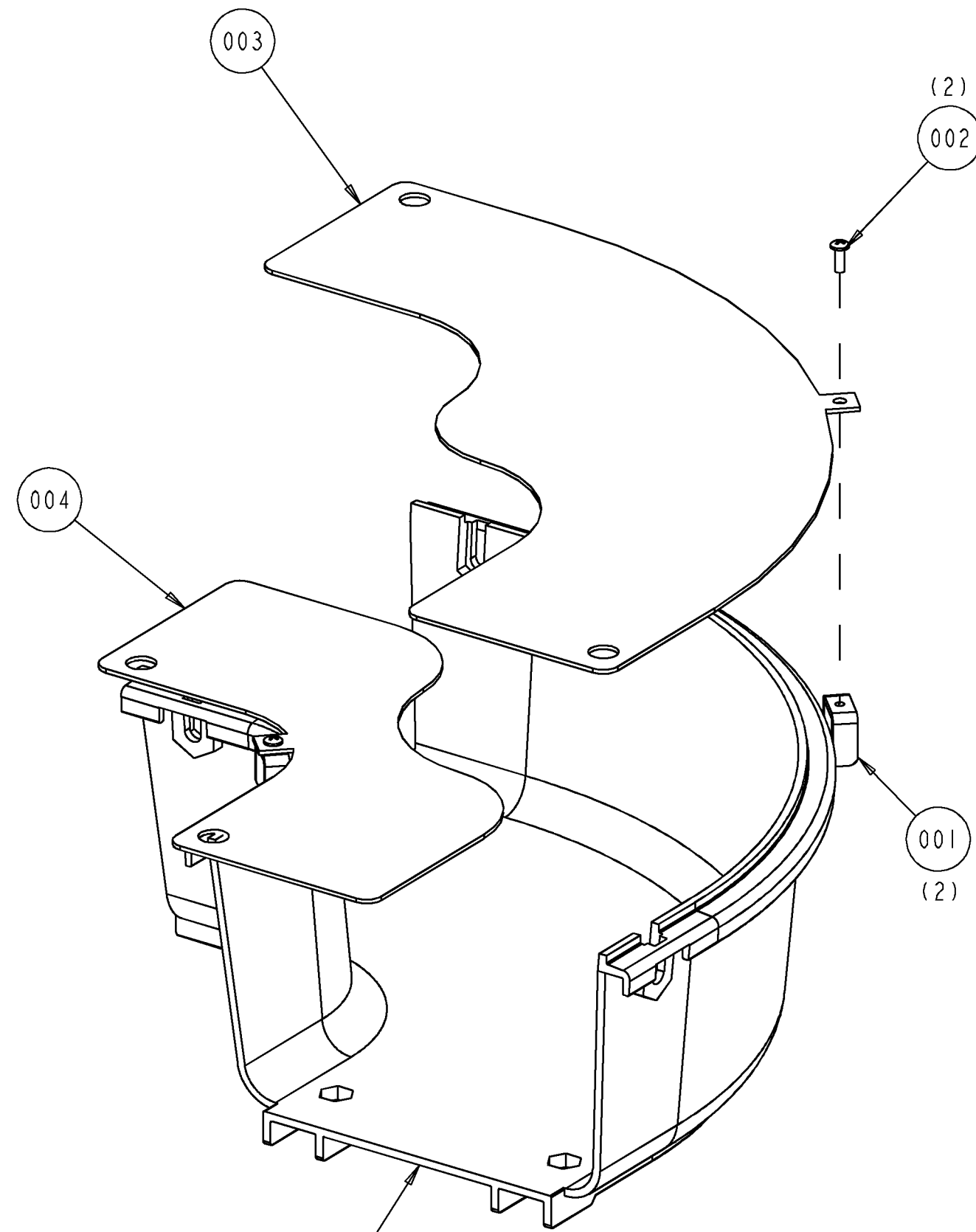
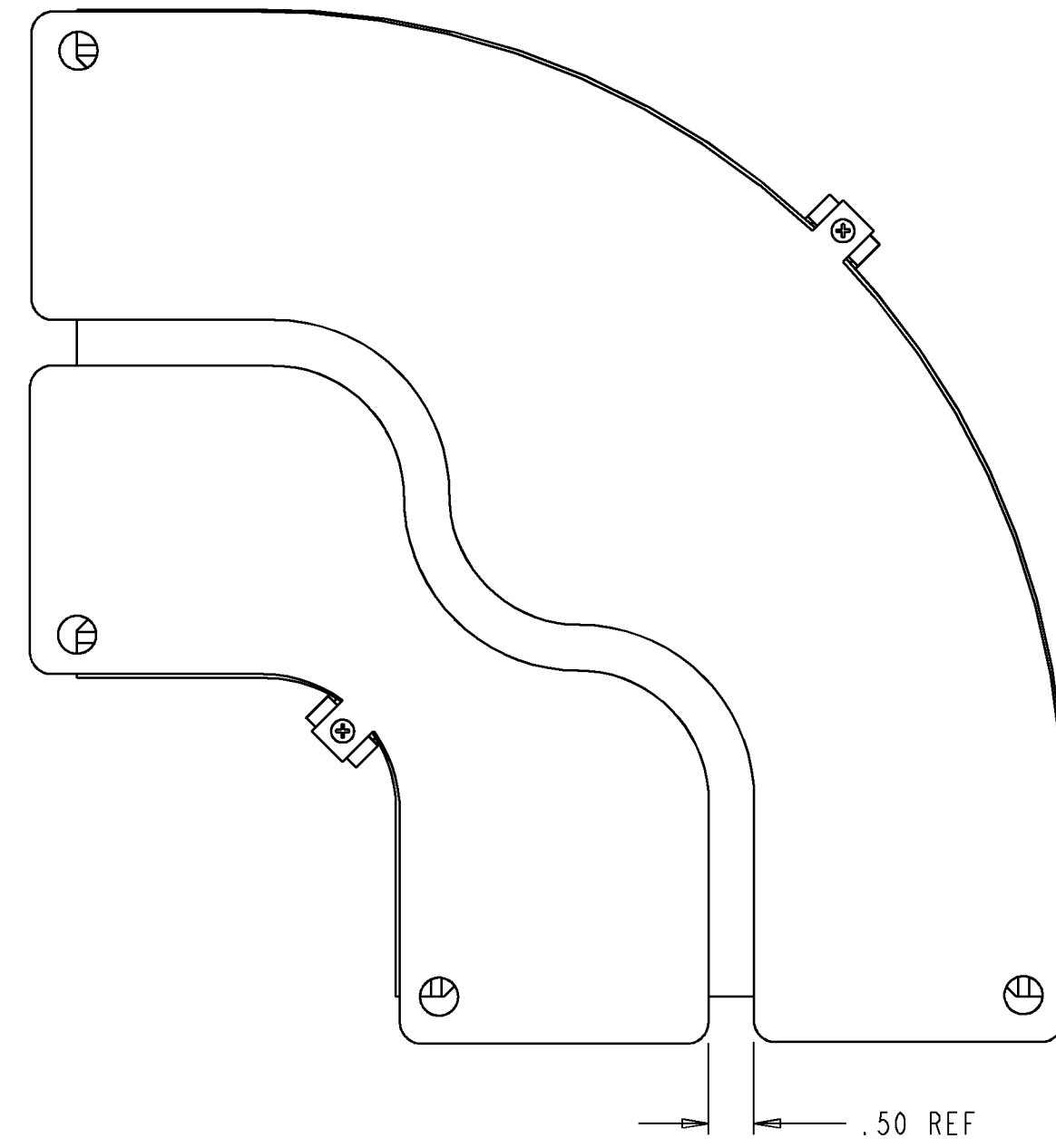


REV	MCO	DWN	DATE
C	20164997	GNM	02-MAR-05
D	20168682	GNM	27-APR-05



HORIZONTAL 90° FITTING  
NOT INCLUDED WITH KIT  
2" CAT# FGS-MH9E-G  
4" CAT# FGS-MH9E-A  
6" CAT# FGS-MH9E-B



4X6 FITTING SHOWN  
FOR REFERENCE ONLY

**NOTES:**

1. PLACE (2) F/N 001 AND (2) 002 INTO BAG F/N 005 AND SEAL.
2. SEAL (1) F/N 003 IN BOTTOM OF BAG F/N 006, PLACE (1) F/N 004 AND KIT DRAWING, F/N 999 IN TOP OF BAG ALONG WITH BAG FROM NOTE 1 AND SEAL.
3. PLACE LABEL F/N 007 ON BAG.

1325082	2 X 6	<b>FGS-DH9E-G</b>	A
1281026	4 X 6	<b>FGS-DH9E-B</b>	B
1281294	4 X 4	<b>FGS-DH9E-A</b>	A
PART NUMBER	SIZE	CATALOG NUMBER	REV



INFORMATION ON THIS DOCUMENT IS PROPRIETARY TO ADC AND SHALL NOT BE USED, COPIED, REPRODUCED OR DISCLOSED IN WHOLE OR IN PART WITHOUT WRITTEN CONSENT OF ADC.

ALL DIMS AND TOLERANCES ARE INCHES UNLESS OTHERWISE SPECIFIED  
 .XX:±.XX  
 .XXX:±.XXX  
 ANGULAR:±N/A

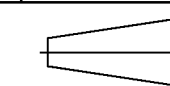
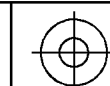
DO NOT SCALE DRAWING

TITLE FGS HORIZONTAL 90 ELBOW SPLIT COVER

DRAWING NUMBER 1281010

ENGR: RYAN LINDQUIST  
DWN: JUSTIN TRUESDELL

SHT. 1 OF 1



**DIMENSIONS IN INCHES  
THIRD ANGLE PROJECTION**