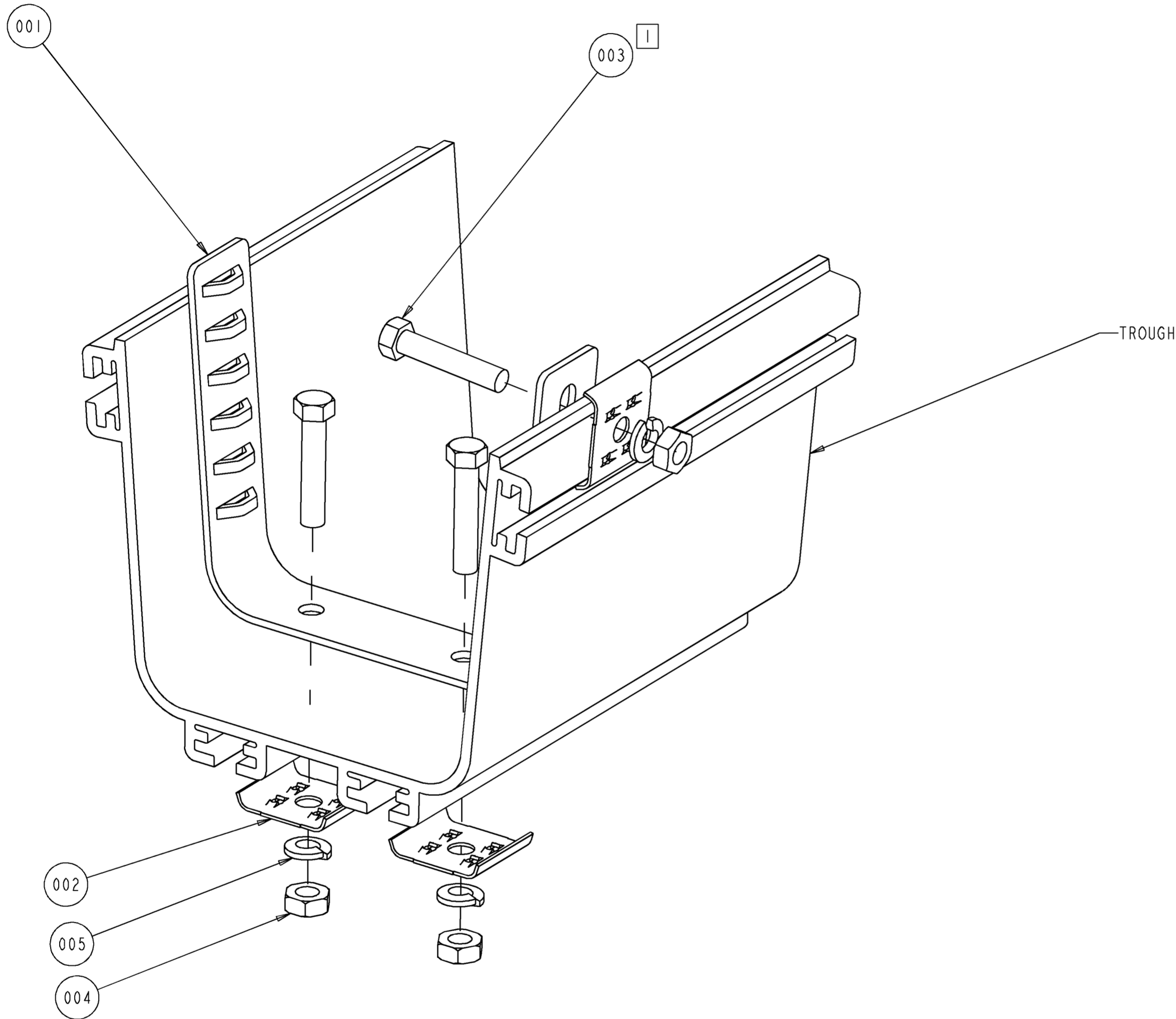


REV	MCO	DWN	DATE
B	20237120	AED	07-APR-08
C	20293716	SC	23-AUG-10



PARTS LIST		
F/N	QTY	DESCRIPTION
001	1	BRACKET
002	3	RETAINER WASHER
003	3	BOLT 1/4-20 X 1
004	3	NUT 1/4-20
005	3	WASHER 1/4 LOCK

NOTES:

1. USE F/N 001 AS TEMPLATE TO DRILL (3) .265 DIA. HOLES IN TROUGH FOR F/N 003.
2. MOUNT F/N 001 WITH SLOT ON HINGE SIDE OF TROUGH.

CAT # FGSB-HIFC-A
CAT # FGS-HIFC-A



INFORMATION ON THIS DOCUMENT IS PROPRIETARY TO ADC AND SHALL NOT BE USED, COPIED, REPRODUCED OR DISCLOSED IN WHOLE OR IN PART WITHOUT WRITTEN CONSENT OF ADC.		TITLE KIT, IFC 4X4 BRACKET (INSTALLATION DRW.)	
ALL DIMS AND TOLERANCES ARE INCHES UNLESS OTHERWISE SPECIFIED	.XX:±N/A .XXX:±N/A ANGULAR:±N/A	C SIZE	DRAWING NUMBER 1067270
DO NOT SCALE DRAWING	ENGR: JIM BRANDT DWN: ED SANSONE	SHT. 1 OF 1	

DIMENSIONS IN INCHES
THIRD ANGLE PROJECTION