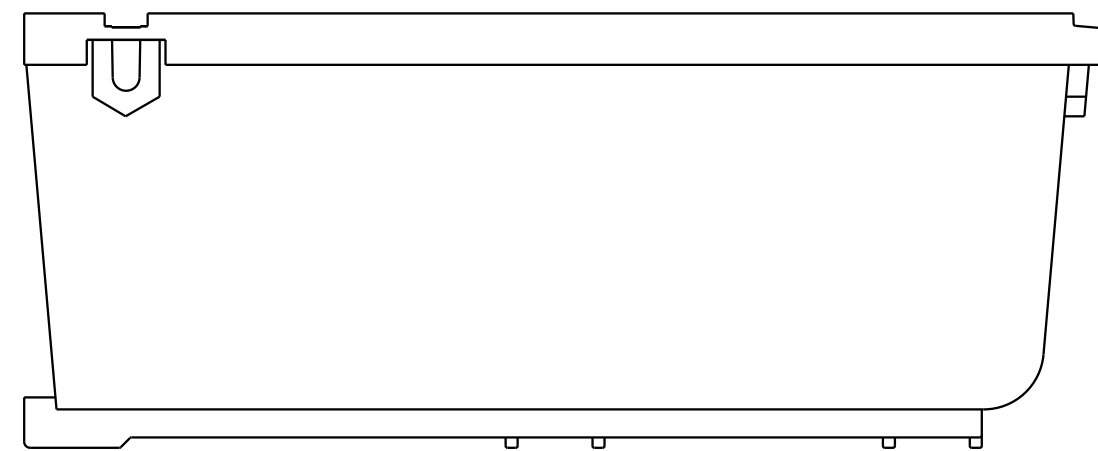
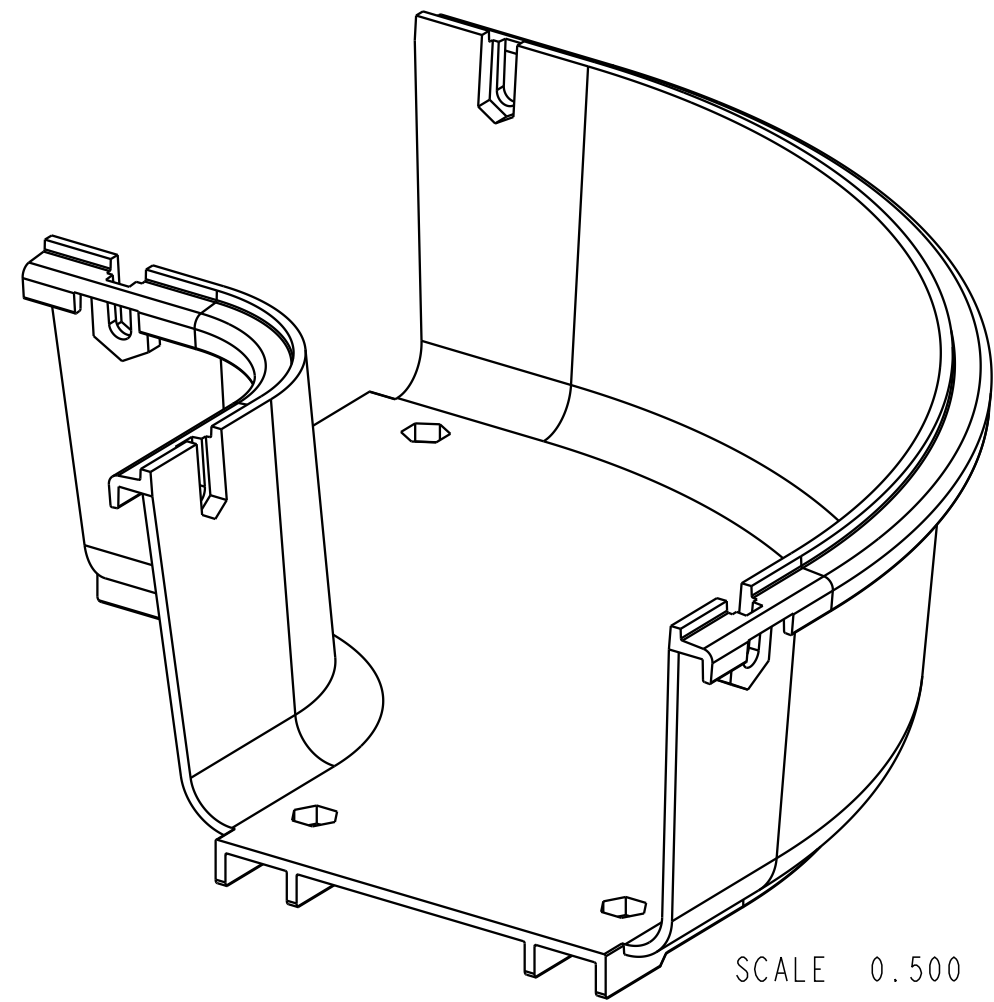
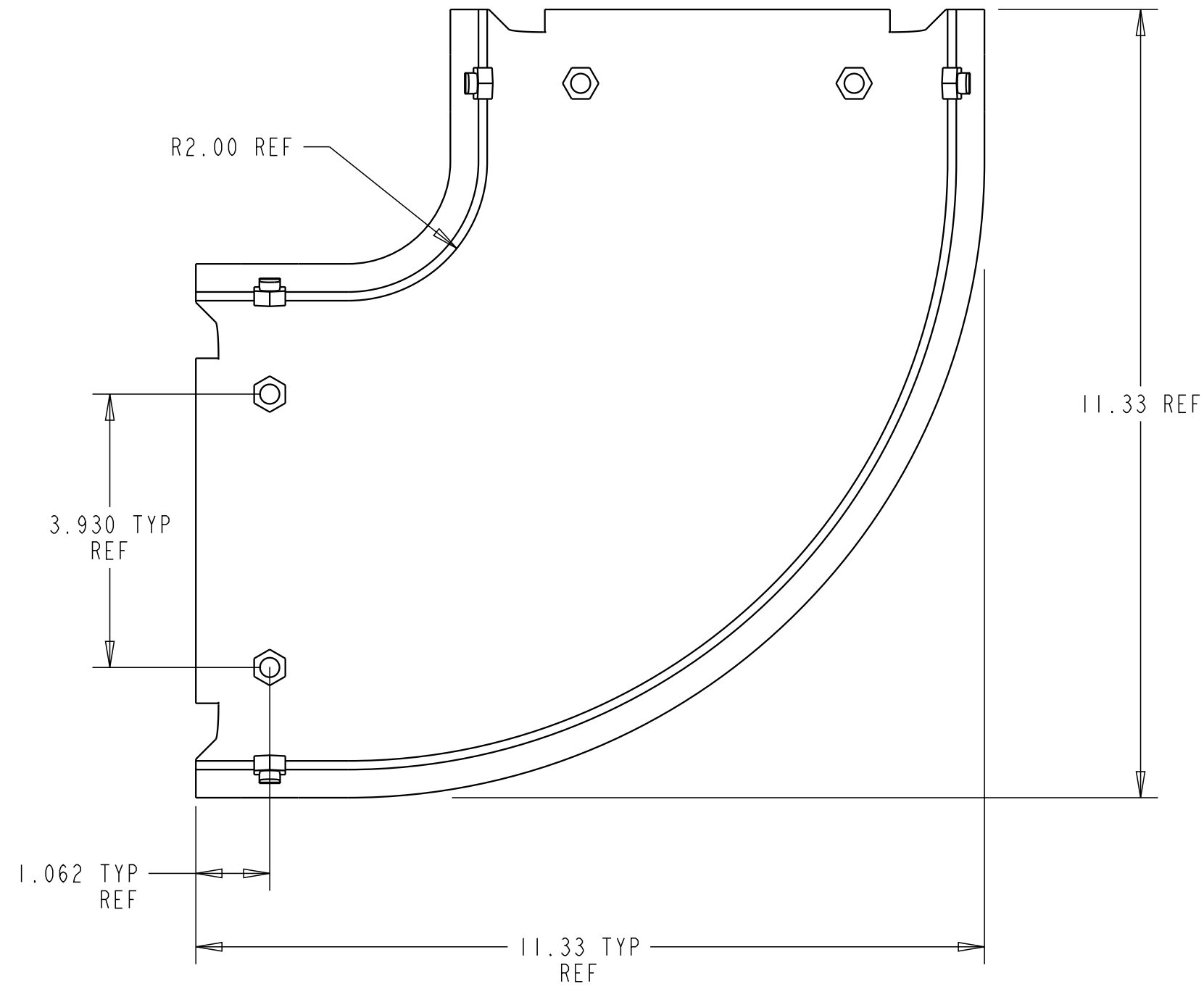
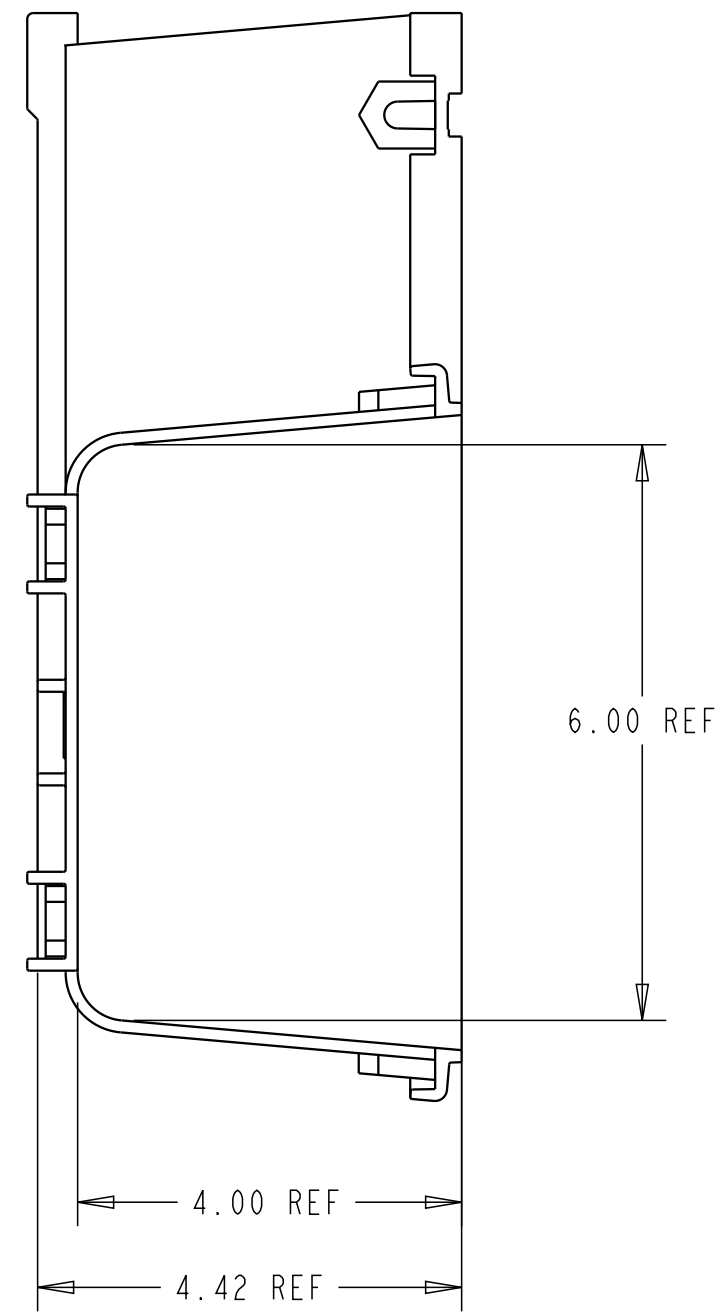


REV	MCO	DWN	DATE
B	20235601	GRL	12-MAR-08
C	40031755MCO	OAVL	24-JUN-16



**NOTES:**

- MATERIAL IS SELF EXTINGUISHING WITH A UL 94 RATING OF V-0.
- COVERED BY U.S. PATENT NO. 334,380. ISSUE DATE : MARCH 30, 1993.

**COMMSCOPE, INC.**

© 2016 COMMSCOPE, INC. CONFIDENTIAL  
NOTICE: THESE DRAWINGS AND SPECIFICATIONS ARE THE PROPRIETARY PROPERTY OF COMMSCOPE, INC. AND MAY BE USED ONLY FOR THE SPECIFIC PURPOSE AUTHORIZED IN WRITING BY COMMSCOPE, INC.

TITLE ELBOW, 90° HORIZ,  
4X6, FGS

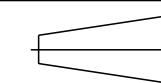
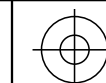
ALL DIMS AND TOLERANCES .XX:±.01  
ARE INCHES UNLESS .XXX:±.005  
OTHERWISE SPECIFIED ANGULAR:±1°

C SIZE DRAWING NUMBER 4-40001-7986 C REV

DO NOT SCALE DRAWING

ENGR: T. HAATAJA  
DWN: DAN HECKSEL

SHT. 1 OF 1



**DIMENSIONS IN INCHES  
THIRD ANGLE PROJECTION**