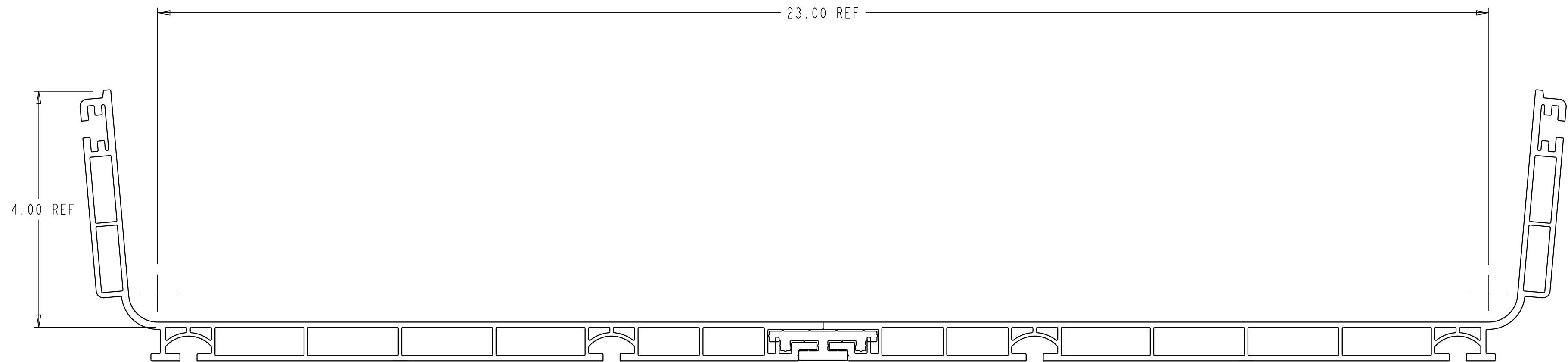
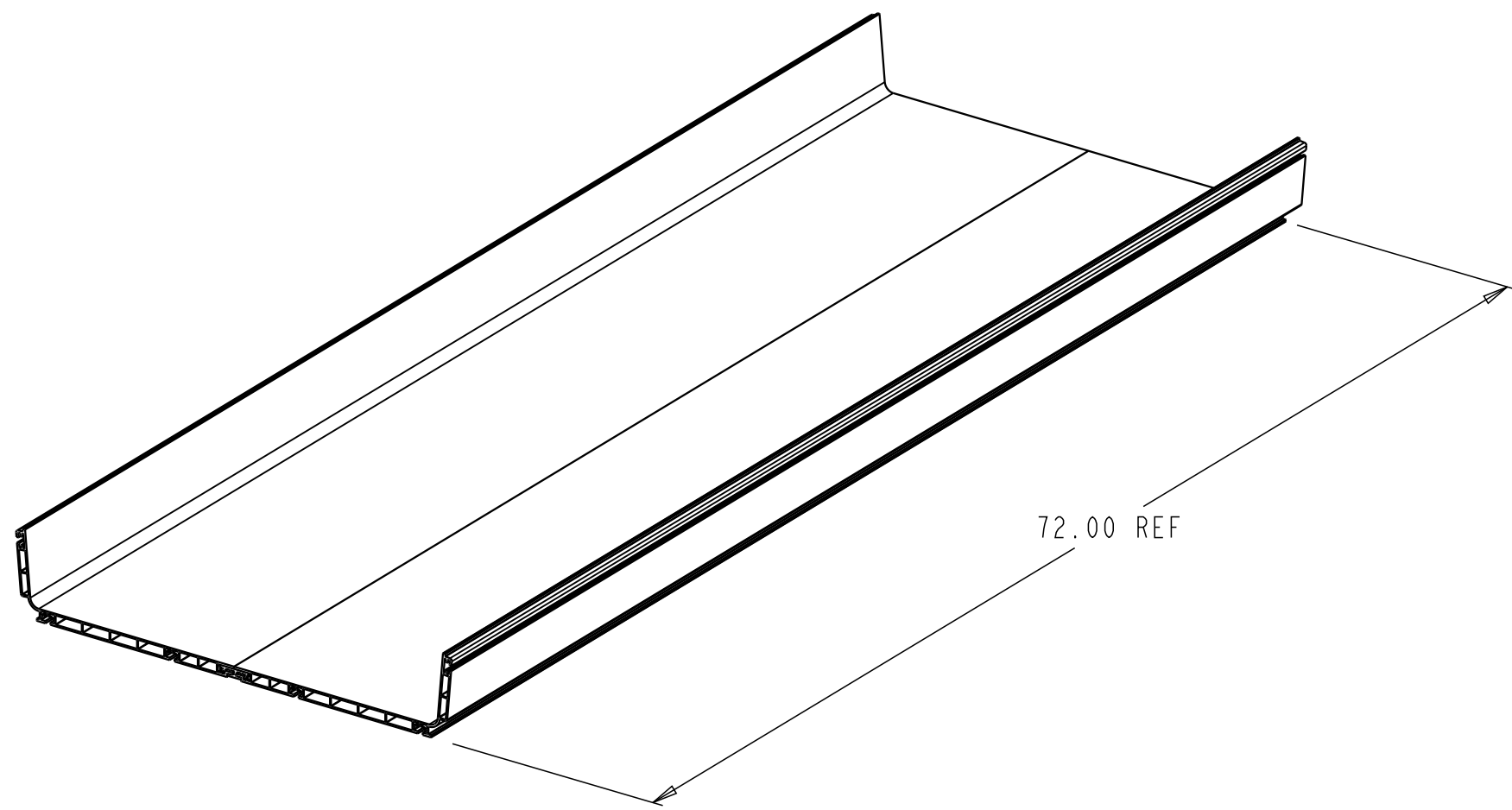


REV	MCO	DWN	DATE
A	8000019899	LASR	16-MAR-17



FGSB-MSHS-H	BLACK
FGS-MSHS-H	YELLOW
CATALOG NUMBER	COLOR

**NOTES:**

- MATERIAL IS SELF EXTINGUISHING A UL 94 RATING OF V-0.

COMMSCOPE, INC.

<small>© 2016 COMMSCOPE, INC. CONFIDENTIAL          NOTICE: THESE DRAWINGS AND SPECIFICATIONS ARE THE PROPRIETARY PROPERTY OF COMMSCOPE, INC. AND MAY BE USED ONLY FOR THE SPECIFIC PURPOSE AUTHORIZED IN WRITING BY COMMSCOPE, INC.</small>		TITLE 24in FGS TROUGH ASSEMBLY	
<small>ALL DIMS AND TOLERANCES ARE INCHES UNLESS OTHERWISE SPECIFIED</small>		C SIZE DRAWING NUMBER A17005060	A REV
DO NOT SCALE DRAWING		ENGR: RUBEN ARVILLA DWN: ASAHEL SALCEDO	SHT. 1 OF 1



**DIMENSIONS IN INCHES  
 THIRD ANGLE PROJECTION**