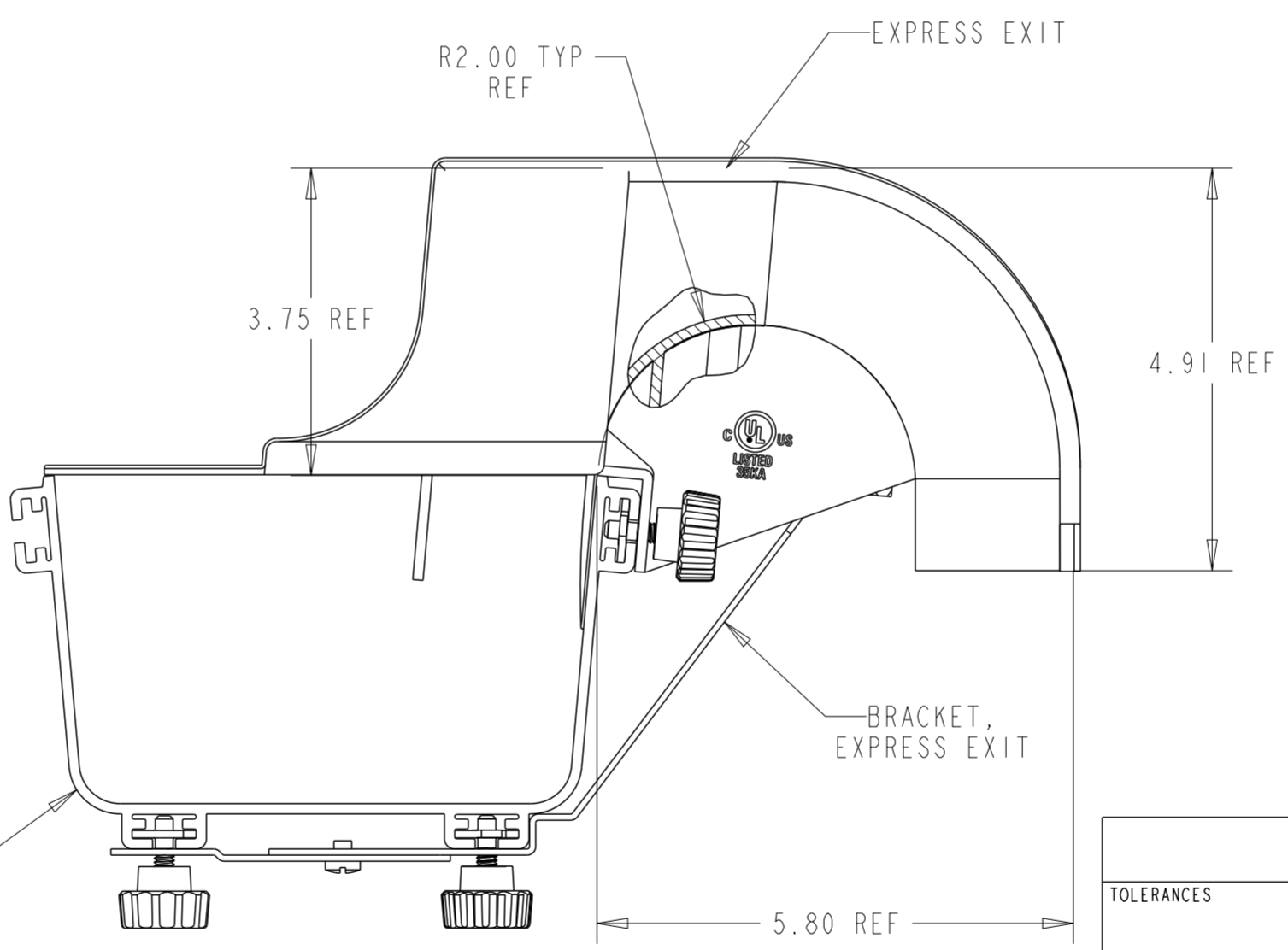
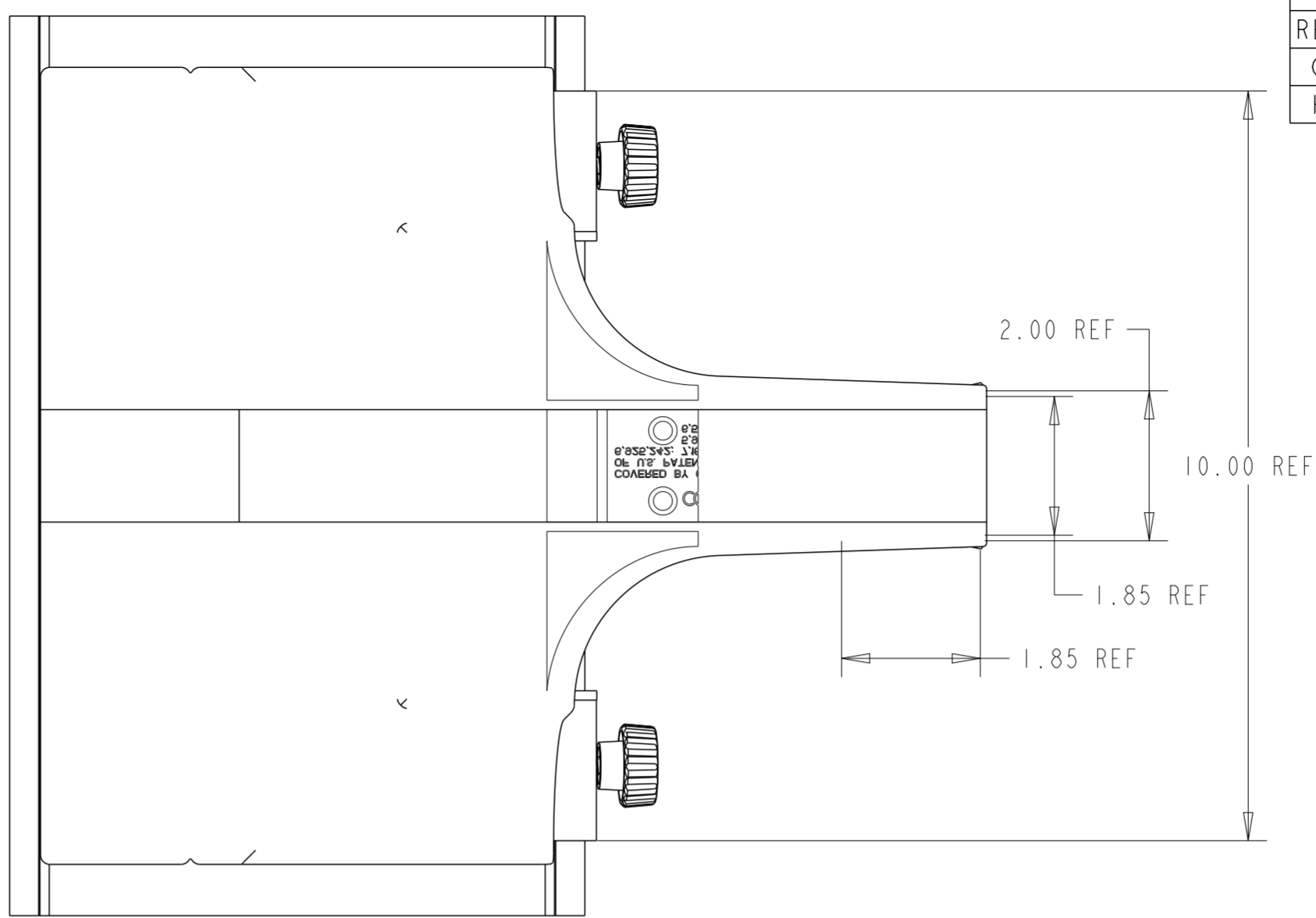
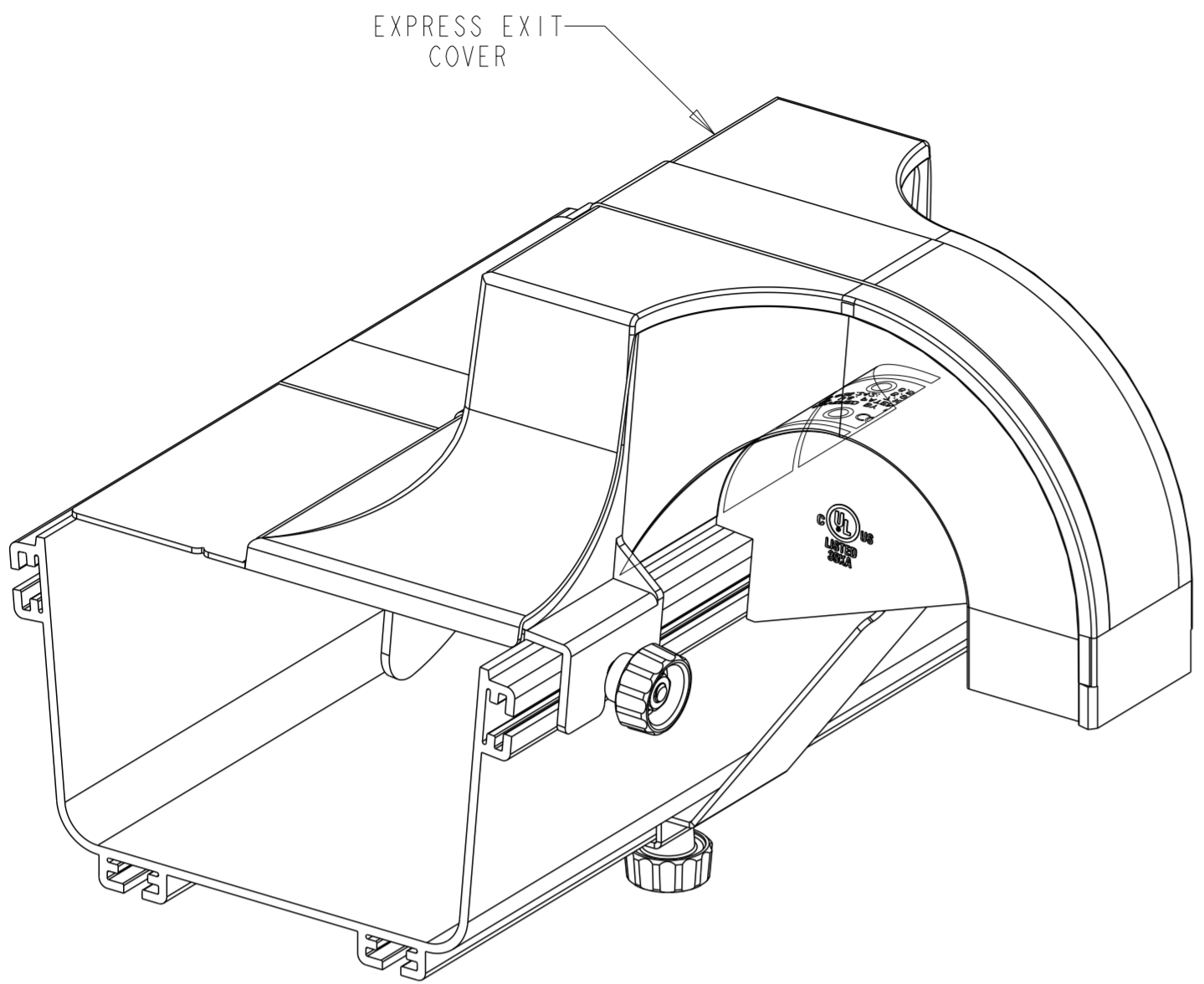


REVISIONS			
REV	DESCRIPTION	DATE	APPROVED
G	40107288CMO	04-MAR-2020	HGR
H	40149611CMO	02-JUN-2022	MAM



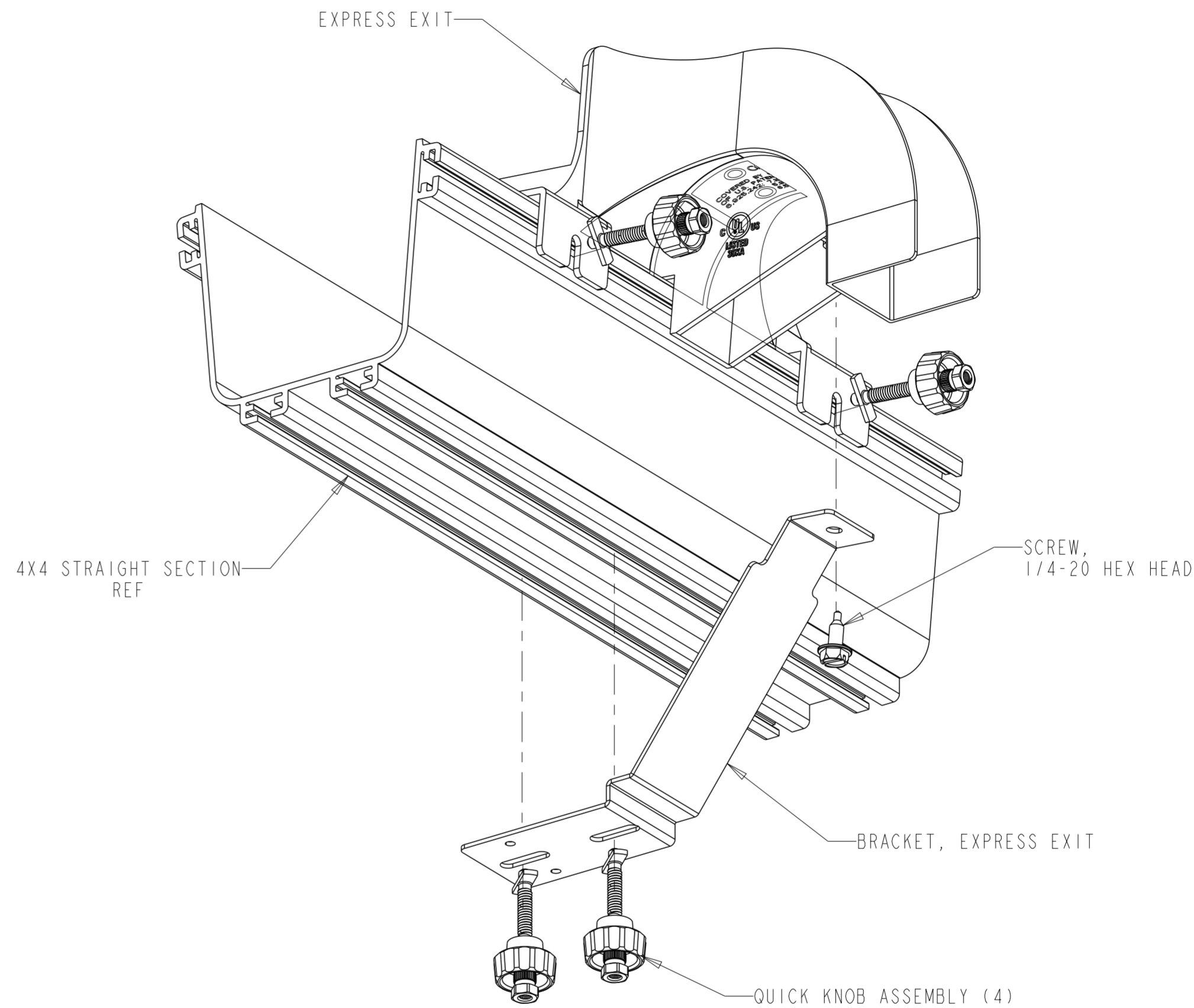
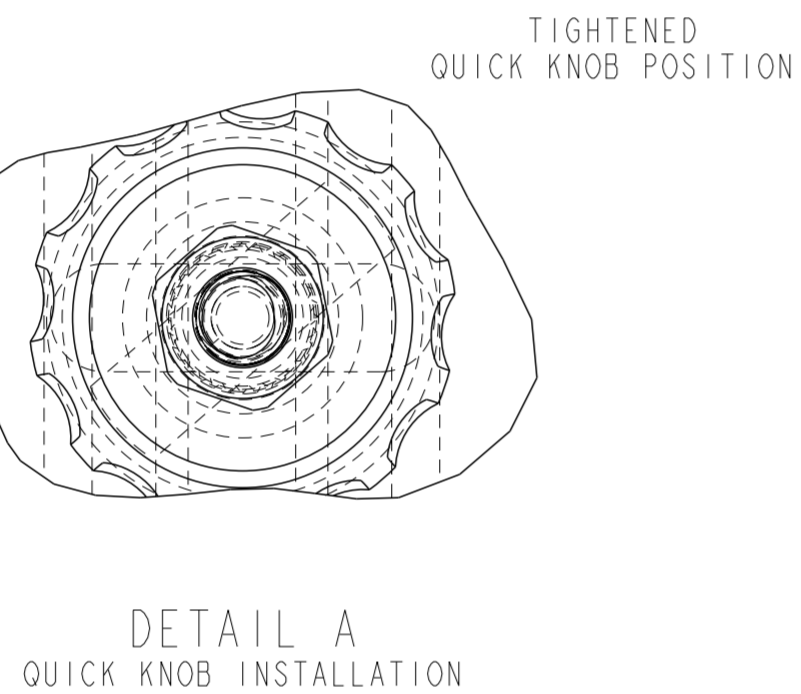
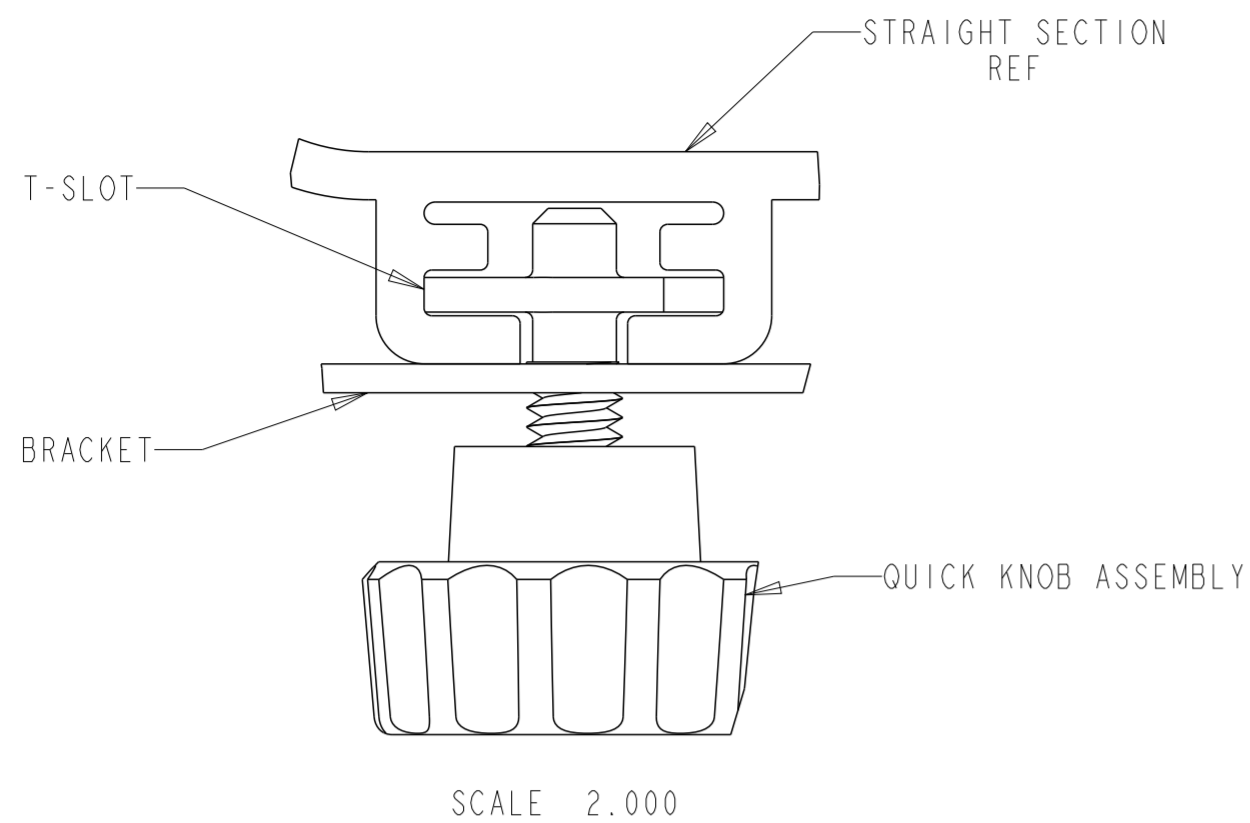
PARTS LIST		
DESCRIPTION	QTY	
EXPRESS EXIT	1	
COVER, EXPRESS EXIT	1	
BRACKET, EXPRESS EXIT	1	
BRACKET, EXTENSION 6" & 12" FGS	1	
BRACKET, EXTENSION 18" & 24" FGS	2	
QUICK KNOB ASSEMBLY	4	
SCREW, HEX HEAD, 1/4-20	1	
SCREW, 6-32 X .25	2	

CATALOG NO.	COLOR
FGSB-MEXP-A/B/F	BLACK
3 FGSB-MEXP-ABF-NC	BLACK
FGS-MEXP-A/B/F	YELLOW
3 FGS-MEXP-ABF-NC	YELLOW

COMMSCOPE, INC.												
TOLERANCES					SAP MATERIAL MASTER							
N/A												
FINISH					MATERIAL							
N/A					SEE BOM							
UNLESS OTHERWISE SPECIFIED DIMENSIONS ARE IN INCHES	DRAFTER			TITLE			SIZE			SCALE		
	MIGUEL MUÑOZ			DWNSTP, EXP, 2X2 EXIT INSTALLATION DWG			A 2			0.500		
	CHECKER			ENGINEER			DOCUMENT NO.			1142136_ADC		
	RUBEN ARVILLA			RUBEN ARVILLA			40149611CMO					
ALL SURFACES		WORK AREA: ISPF		MODEL		DRAWING		SHEET				
✓		[Symbol]		VERSION		STATUS		REVISION		VERSION STATUS REVISION		
				03		RE		H		03 RE H		

- NOTES:**
- COVERED BY U.S. PATENT NO. 5,937,131. ISSUE DATE : AUGUST 10, 1999 AND US 6,192,181 B1. ISSUE DATE : FEBRUARY 20, 2001.
 - ONLY AVAILABLE IN CATALOG FGS-MEXP-A/B/F
 - EXPRESS EXIT COVER NOT INCLUDED.

© 2022 CommScope, Inc. Confidential
 NOTICE: These drawings and specifications are the proprietary property of COMMSCOPE, INC. and may be used only for the specific purpose authorized in writing by COMMSCOPE, INC.



EXPRESS EXIT INSTALLATION
4X4 STRAIGHT SECTION

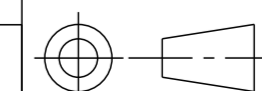
INSTALLATION INSTRUCTIONS:

1. PLACE EXPRESS EXIT ON STRAIGHT SECTION AS SHOWN.
 2. LIFT ONE END OF EXPRESS EXIT AND INSTALL QUICK KNOB INTO T-SLOT, LOWER EXPRESS EXIT ONTO STRAIGHT SECTION. REPEAT FOR OTHER SIDE. ROTATE QUICK KNOB CLOCKWISE SUCH THAT T-BOLT FLANGES EXTEND INTO T-SLOT. LOOSELY HAND TIGHTEN QUICK KNOBS. SEE DETAIL A.
- *WARNING:** IF EXPRESS EXIT IS REMOVED FROM STRAIGHT SECTION WHILE QUICK KNOBS ARE INSTALLED QUICK KNOBS WILL FALL OUT.
3. ATTACH EXTENSION BRACKET TO EXPRESS EXIT BRACKET USING 6-32 X .25 LONG SCREWS (4X6 AND 4X12 STRAIGHT SECTIONS ONLY).
 3. INSTALL EXPRESS EXIT BRACKET ONTO EXPRESS EXIT USING 1/4-20 HEX HEAD SCREW.
 4. INSERT QUICK KNOB THROUGH BRACKET, ROTATE 90°, AND INTO T-SLOT IN STRAIGHT SECTION. ROTATE QUICK KNOB CLOCKWISE SUCH THAT T-BOLT FLANGES EXTEND INTO T-SLOT. SEE DETAIL A.
 5. TIGHTEN (4) QUICK KNOBS COMPLETELY.

COMMSCOPE, INC.				
TITLE DWSPT, EXP, 2X2 EXIT INSTALLATION DWG				
SIZE	SCALE	DOCUMENT NO.		
A2	0.500	1142136_ADC		
DRAWING				SHEET
VERSION STATUS REVISION				2 OF 5
03 RE H				

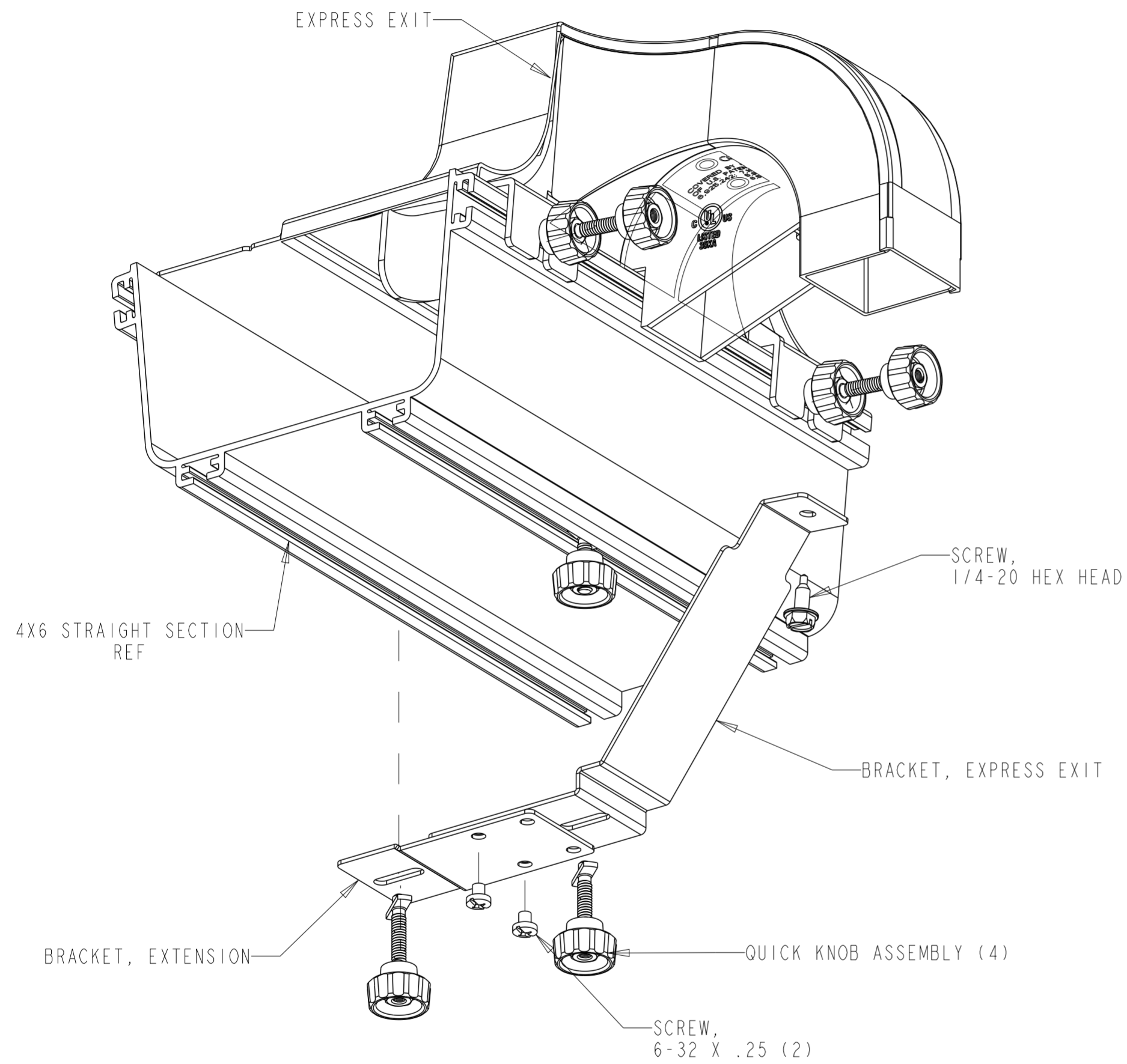
© 2022 CommScope, Inc. Confidential

NOTICE: These drawings and specifications are the proprietary property of COMMSCOPE, INC. and may be used only for the specific purpose authorized in writing by COMMSCOPE, INC.

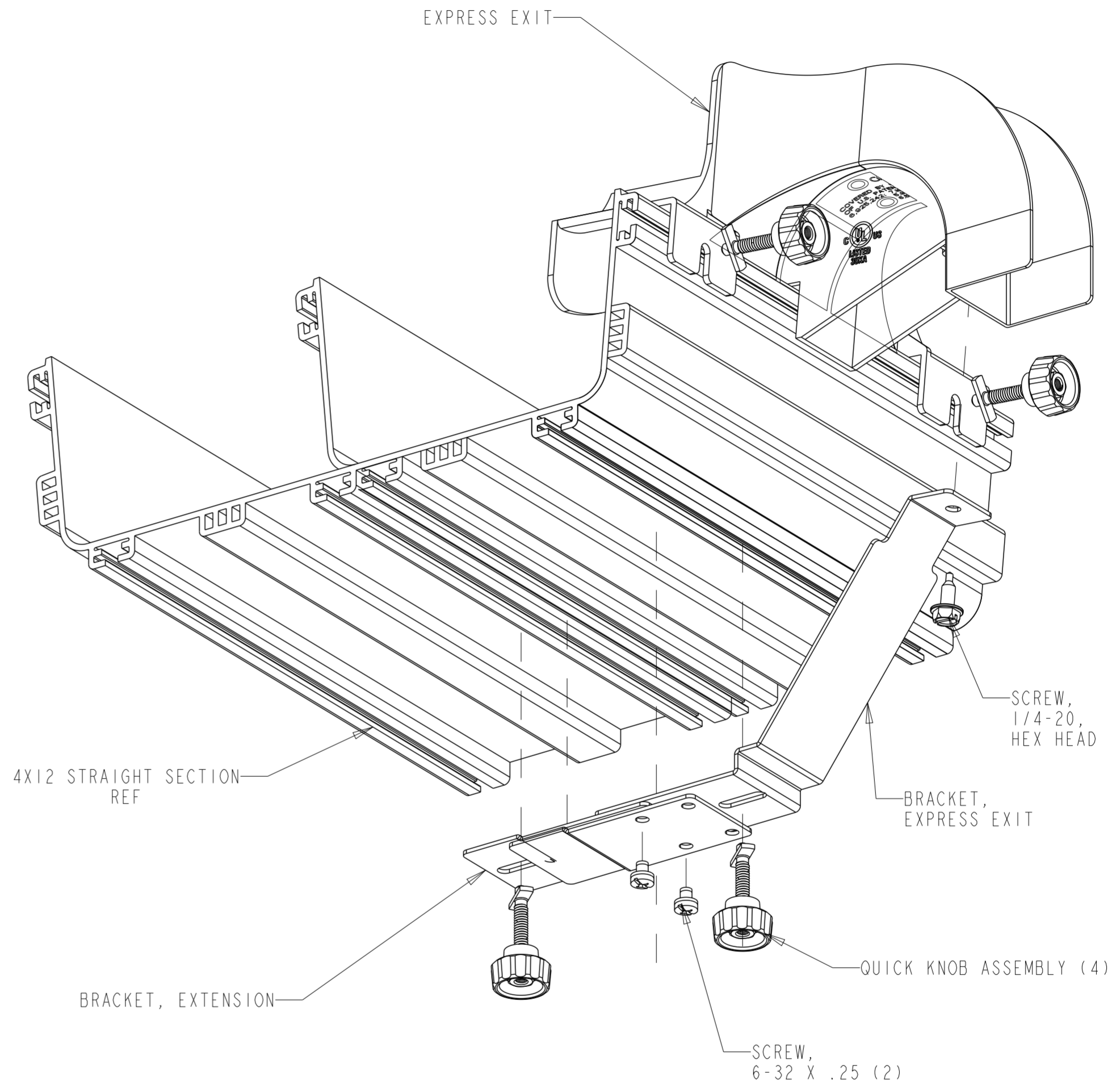


A
B
C
D
E
F
G
H

A
B
C
D
E
F
G
H



EXPRESS EXIT INSTALLATION
4X6 STRAIGHT SECTION

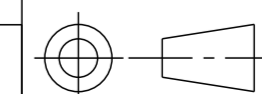


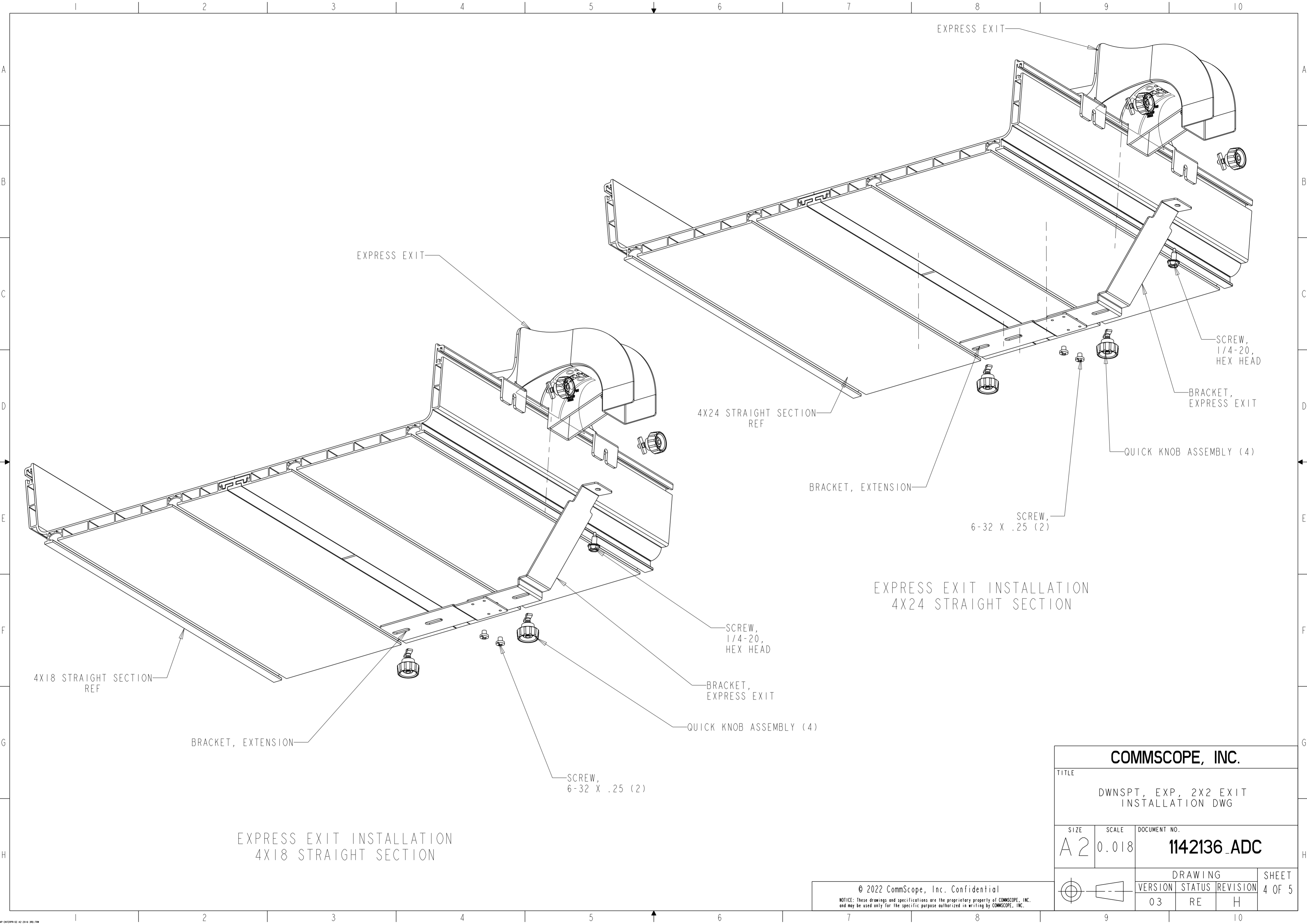
EXPRESS EXIT INSTALLATION
4X12 STRAIGHT SECTION

COMMSCOPE, INC.			
TITLE DWNSPT, EXP, 2X2 EXIT INSTALLATION DWG			
SIZE	SCALE	DOCUMENT NO.	
A2	0.500	1142136_ADC	
DRAWING			SHEET
VERSION	STATUS	REVISION	3 OF 5
03	RE	H	

© 2022 CommScope, Inc. Confidential

NOTICE: These drawings and specifications are the proprietary property of COMMSCOPE, INC. and may be used only for the specific purpose authorized in writing by COMMSCOPE, INC.



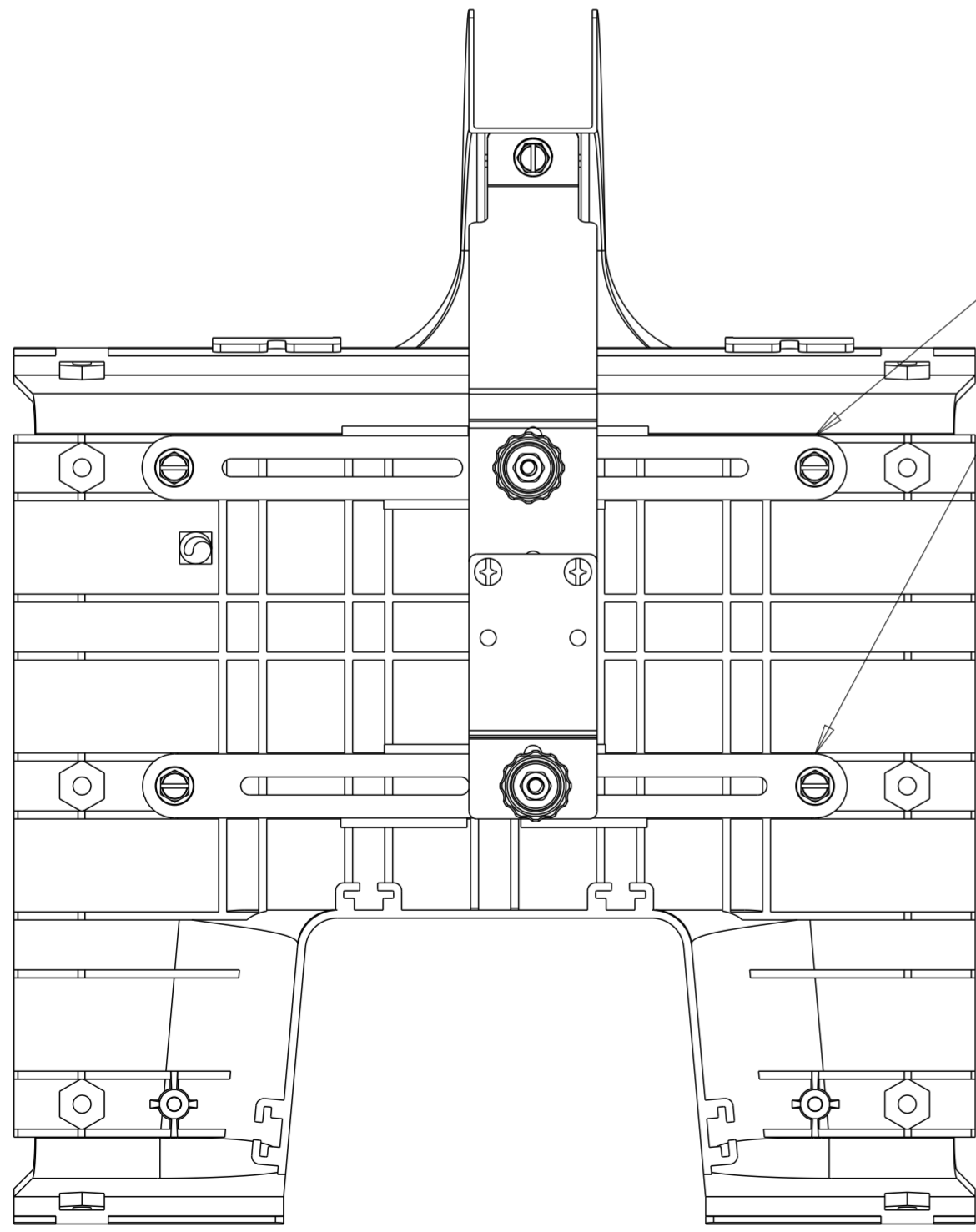
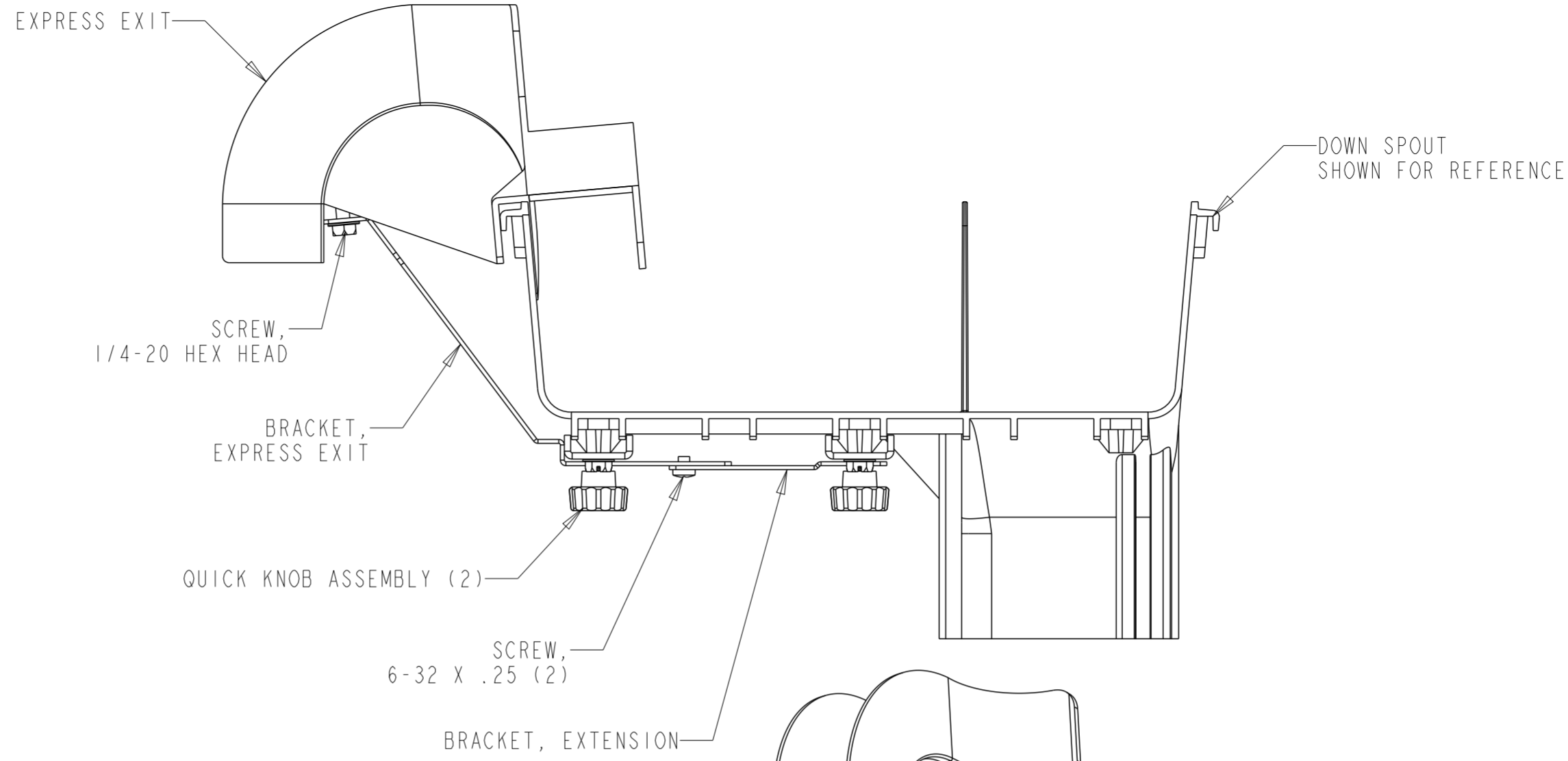
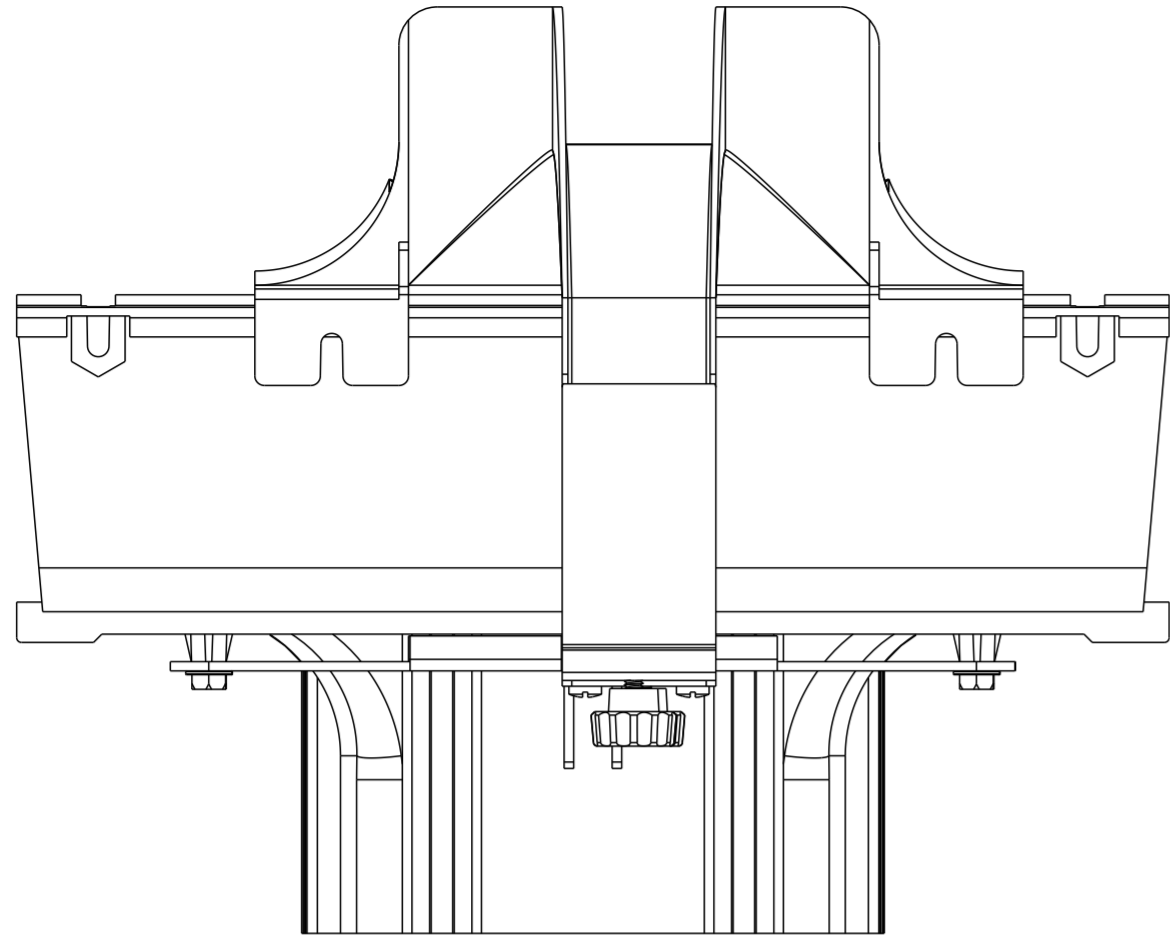


EXPRESS EXIT INSTALLATION
4X24 STRAIGHT SECTION

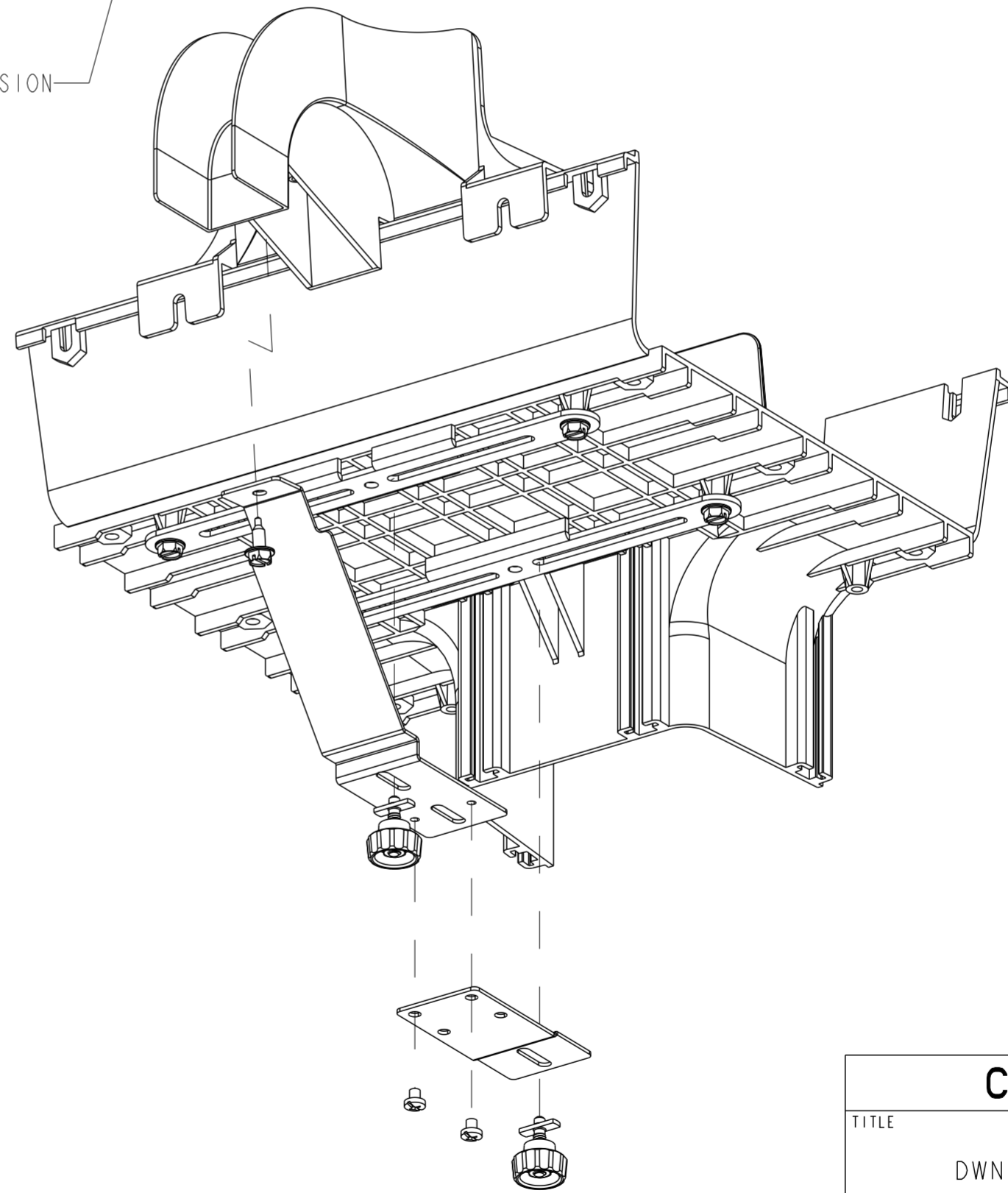
EXPRESS EXIT INSTALLATION
4X18 STRAIGHT SECTION

COMMSCOPE, INC.			
TITLE DWNST, EXP, 2X2 EXIT INSTALLATION DWG			
SIZE A2	SCALE 0.018	DOCUMENT NO. 1142136_ADC	
DRAWING			SHEET
VERSION 03	STATUS RE	REVISION H	4 OF 5

© 2022 CommScope, Inc. Confidential
 NOTICE: These drawings and specifications are the proprietary property of COMMSCOPE, INC. and may be used only for the specific purpose authorized in writing by COMMSCOPE, INC.



VARIABLE SUPPORT LOCATE BRACKETS



© 2022 CommScope, Inc. Confidential
 NOTICE: These drawings and specifications are the proprietary property of COMMScope, INC. and may be used only for the specific purpose authorized in writing by COMMScope, INC.

COMMScope, INC.			
TITLE DWN SPT, EXP, 2X2 EXIT INSTALLATION DWG			
SIZE A2	SCALE 0.400	DOCUMENT NO. 1142136_ADC	
DRAWING			SHEET
VERSION 03	STATUS RE	REVISION H	5 OF 5