

PM-238-96



Adjustable Pipe Mount, 2-3/8 in OD x 96 in

Product Classification

Product Type Pipe mount

General Specifications

Mounting Saddle mounts

Note One 96 in x 8 in panel antenna per pipe mount

Pipe, quantity 1

Tower Taper Non-tapered

Dimensions

Height 96 in | 2,438.4 mm

Width 6 in | 152.4 mm

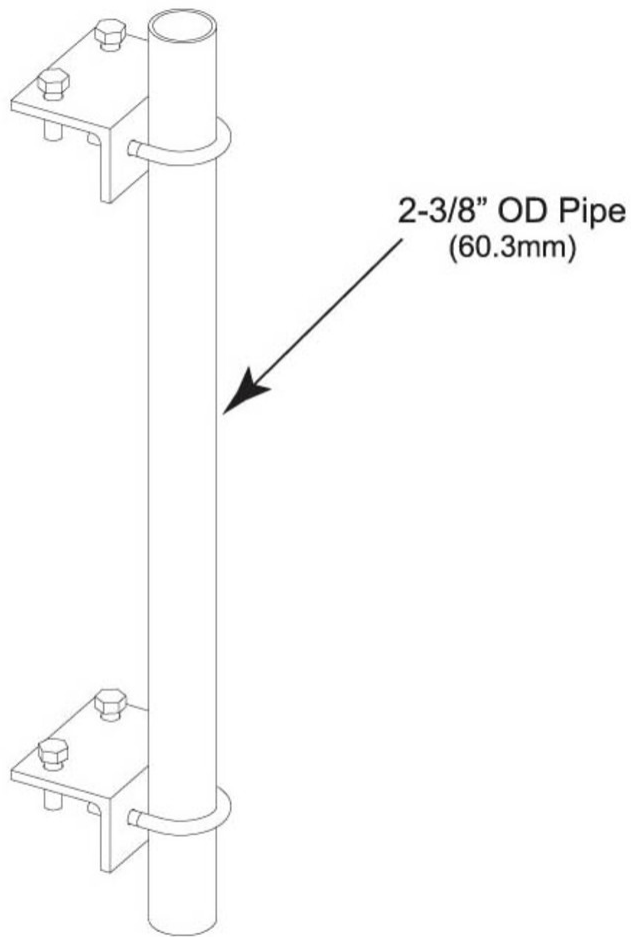
Length 6 in | 152.4 mm

Pipe Length 96 in | 2,438.4 mm

Pipe Outer Diameter 2.4 in | 60.96 mm

PM-238-96

Outline Drawing



Material Specifications

Material Type Hot dip galvanized steel

Mechanical Specifications

Wind Rating 120 mph (BWS) at 150 ft AGL

Wind Rating Test Method TIA/EIA-222

Packaging and Weights

Included Brackets | Hardware | Pipe

Packaging quantity 1

PM-238-96

Weight, net 15.2 kg | 33.51 lb

Regulatory Compliance/Certifications

Agency

ISO 9001:2015



Classification

Designed, manufactured and/or distributed under this quality management system

Included Products

MT-651-96 – Plain End Pipe, 2-3/8 in OD x 96 in .120" A500C
46Ksi

* Footnotes

Wind Rating

BWS—Base Wind Speed; FBC—Florida Building Code