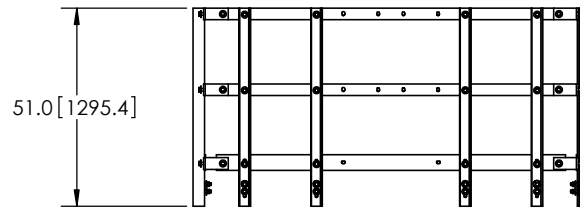
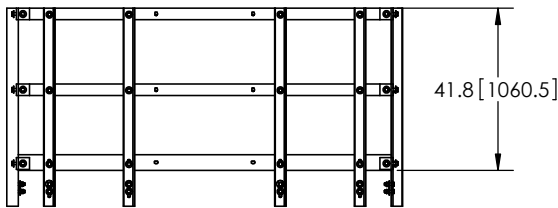
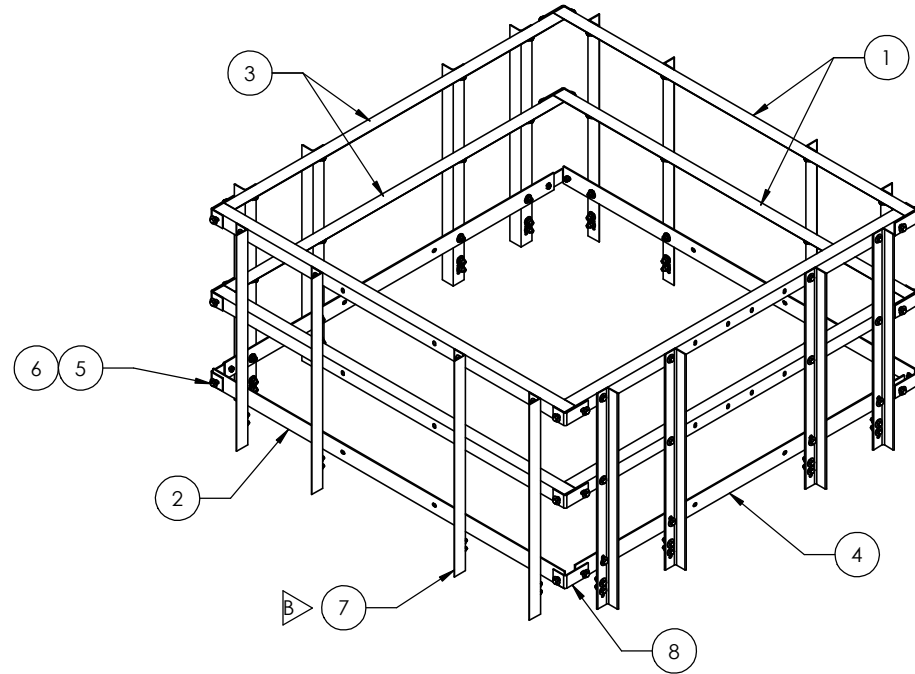
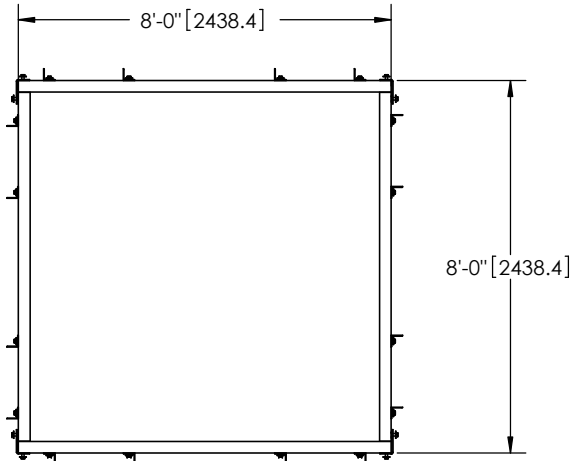



ITEM	PART NO.	DESCRIPTION	QTY.	WEIGHT
1	MTC79020808.07	8' SIDE HANDRAIL	4	29.39 LBS
2	MTC79020808.08	8' SIDE TOEBOARD	2	26.72 LBS
3	MTC7902080810	8' END HANDRAIL	4	27.44 LBS
4	MTC7902080811	8" END TOEBOARD	2	25.00 LBS
5	GB-05205	5/8" X 2" GALV BOLT KIT	104	0.27 LBS
6	GWf-05	5/8" GALV FLAT WASHER	208	0.06 LBS
7	EQHR01	HANDRAIL POST	16	15.52 LBS
8	MTC790208	HANDRAIL ANGLE CLIP	12	1.87 LBS

REVISIONS				
REV.	ECN	DESCRIPTION	BY	DATE
A		INITIAL RELEASE	MSM	05/20/11
B	8000008700	REPLACED MTC790204 WITH EQHR01	RJC	6/15/2015



NOTES:
1. ALL METRIC DIMENSIONS ARE IN BRACKETS.

<small>These drawings and specifications are the proprietary property of ANDREW CORPORATION and may be used only for the specific purpose authorized in writing by Andrew Corporation.</small>		DRAWN BY: MSM CHECKED BY: TP DATE: 05/20/11 REVISION: B	SHEET: 1 of 1 SCALE: NTS MATERIAL: A36 FINISH: GALV A123 WEIGHT: 652.05 LBS	PART NUMBER: EQ-HR0808 DESCRIPTION: 8' X 8' HANDRAIL DRAWING TYPE: ASSEMBLY DRAWING  WESTCHESTER, IL. 60154 U.S.A.
--	--	--	---	--