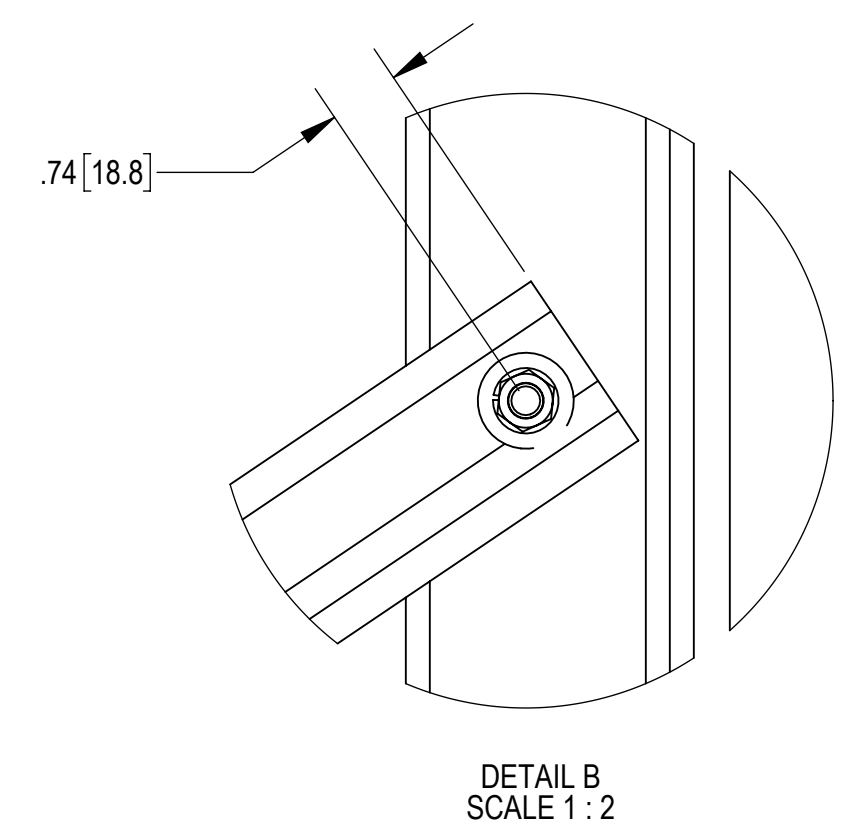
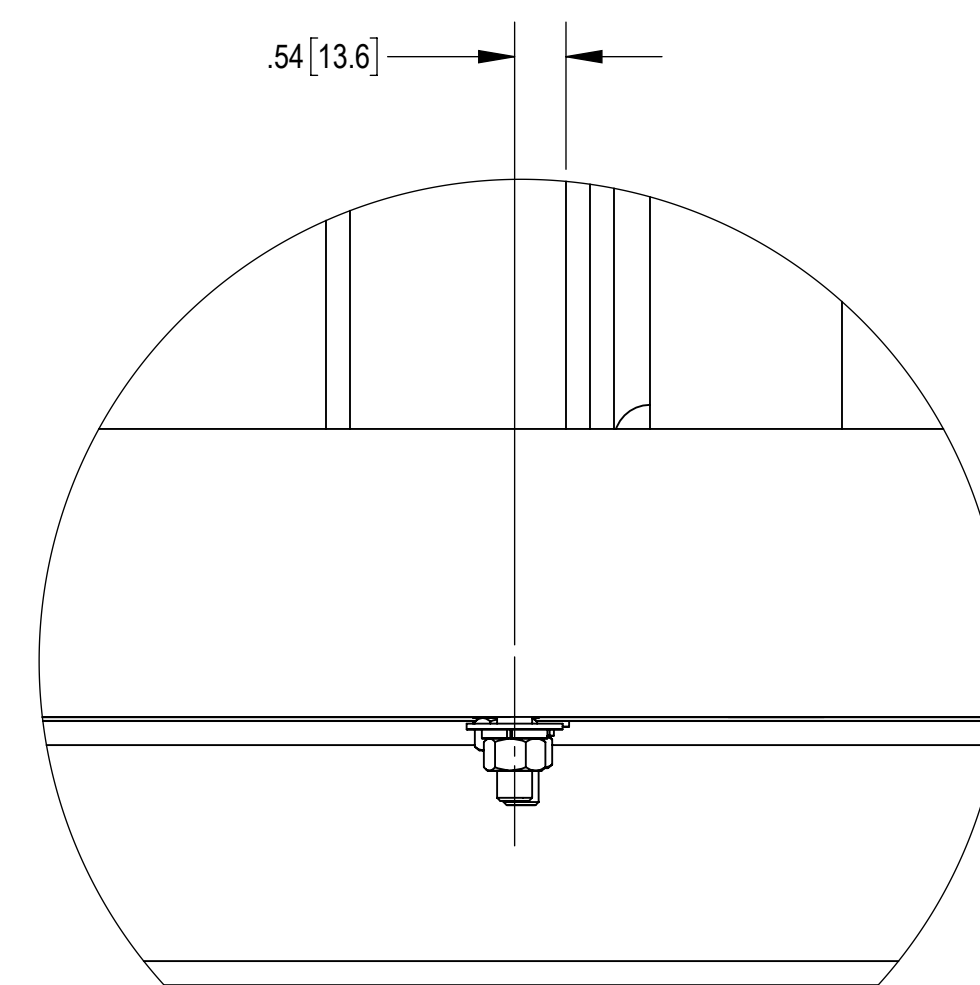
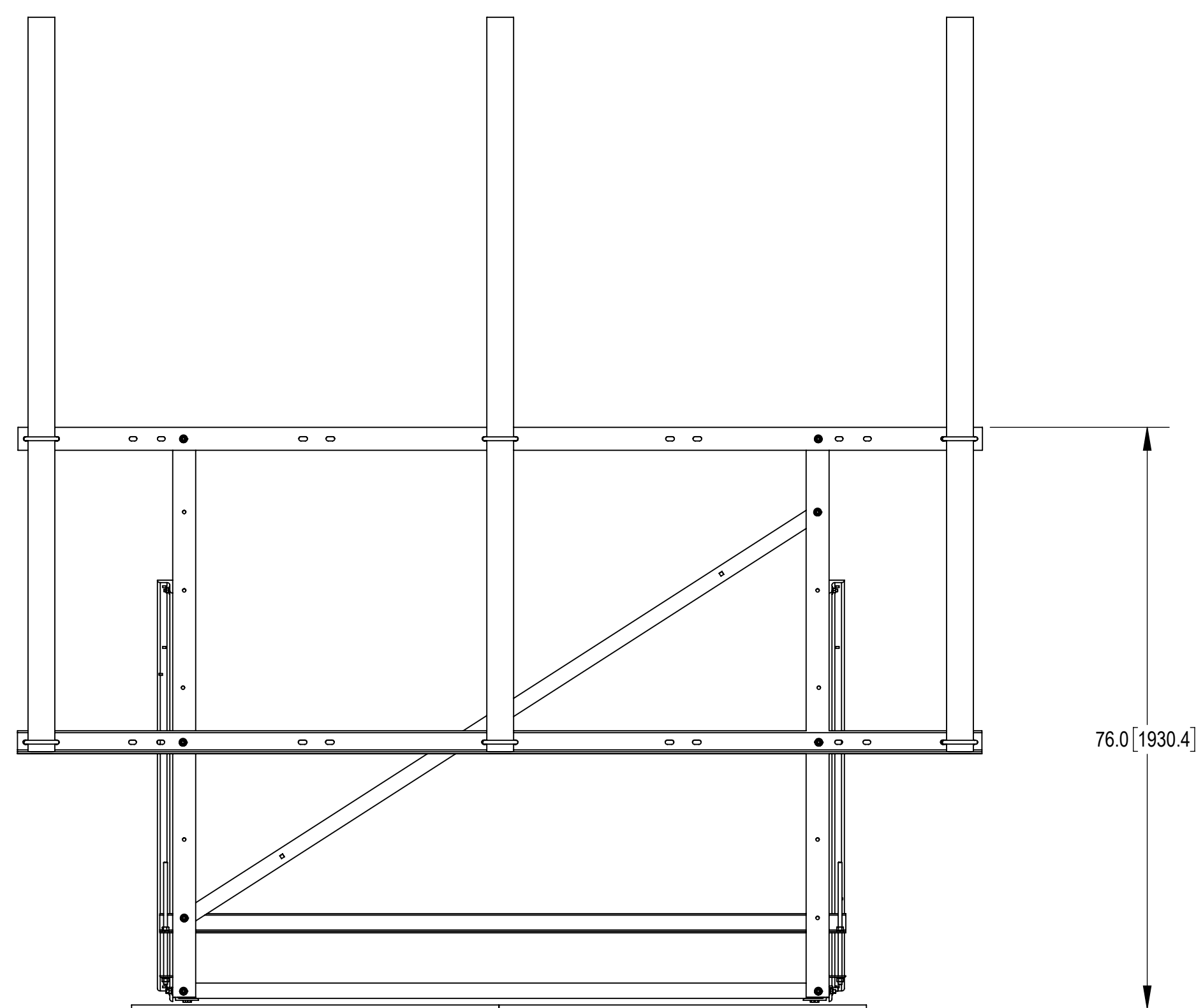
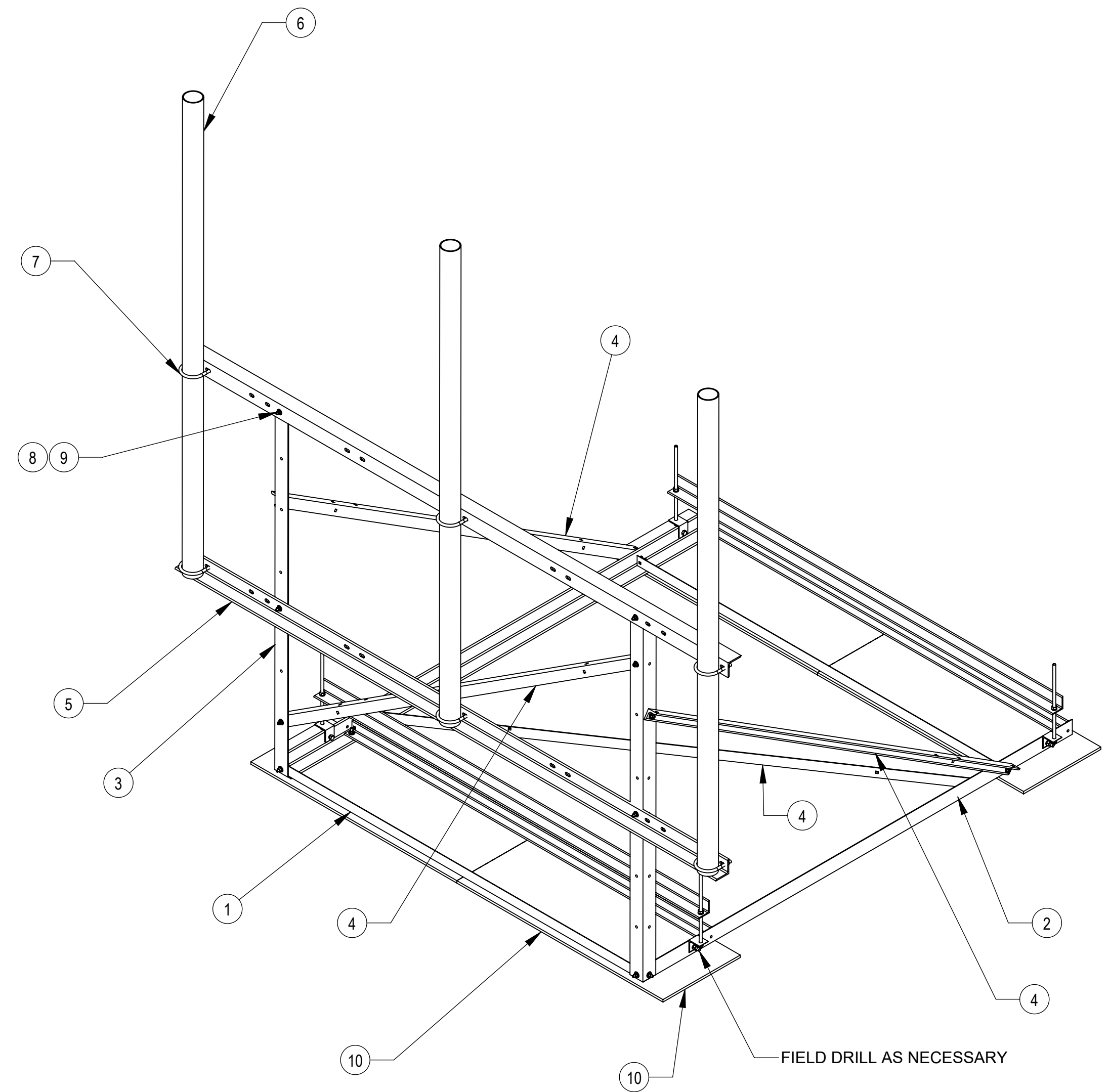
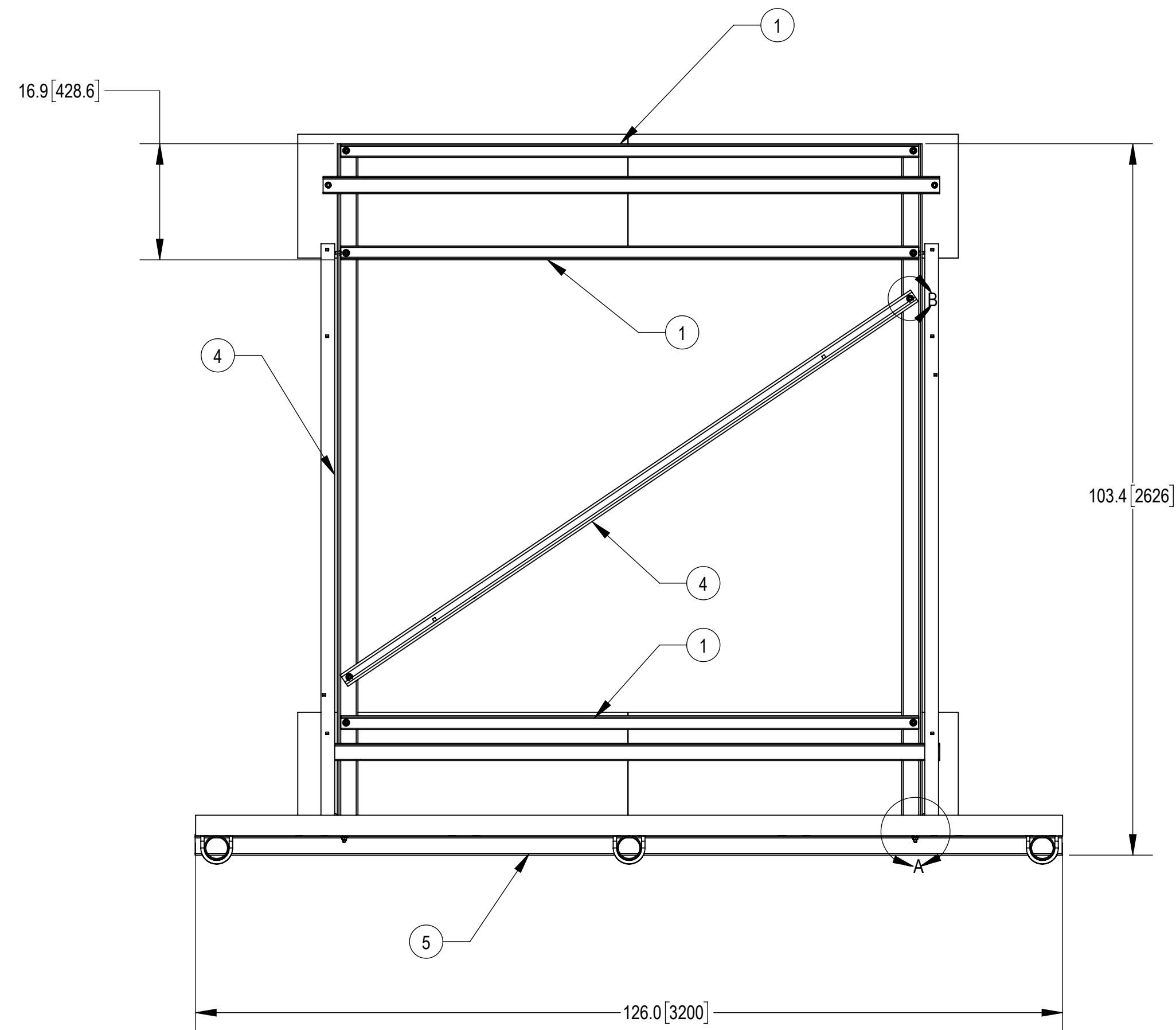


NOTES:

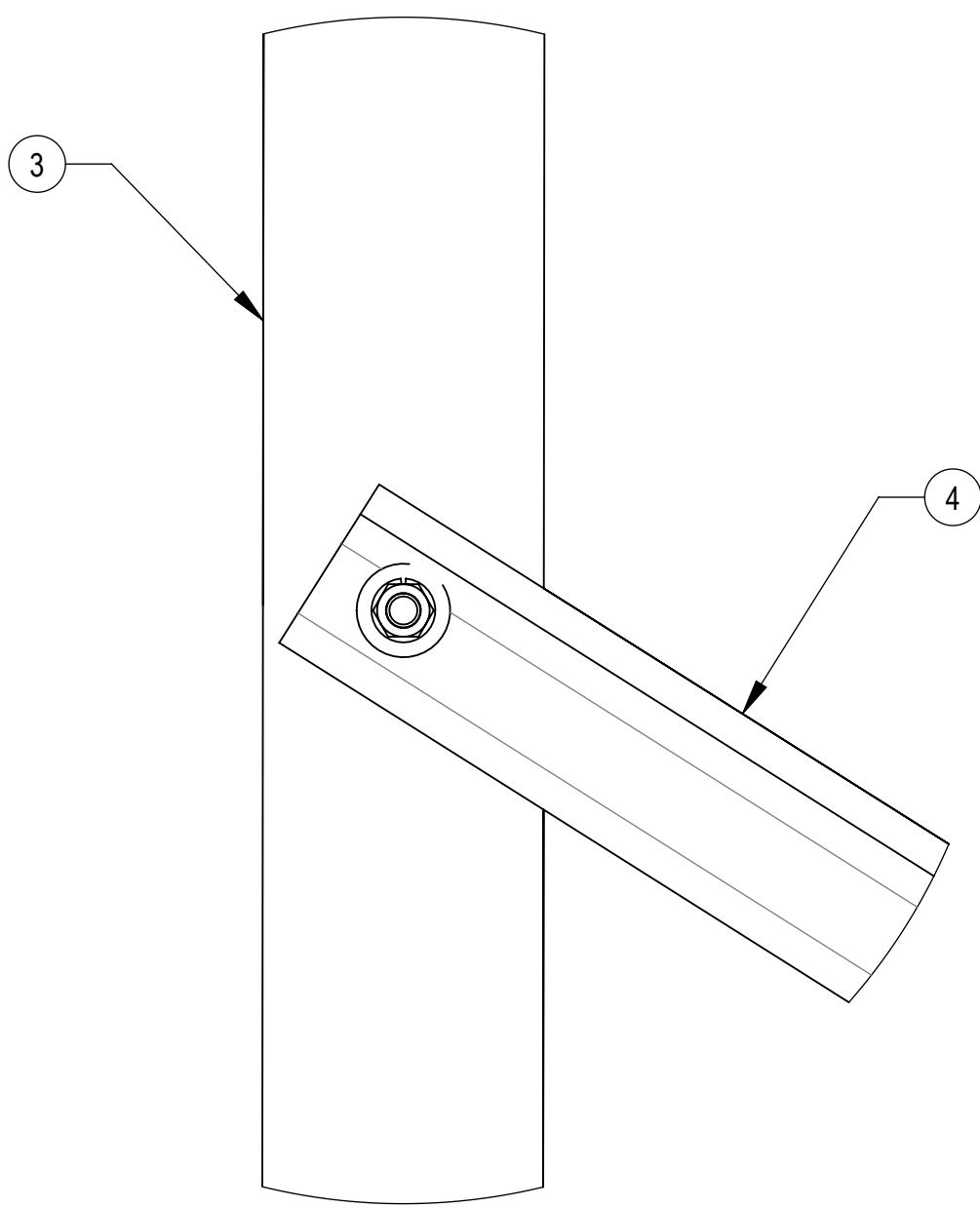
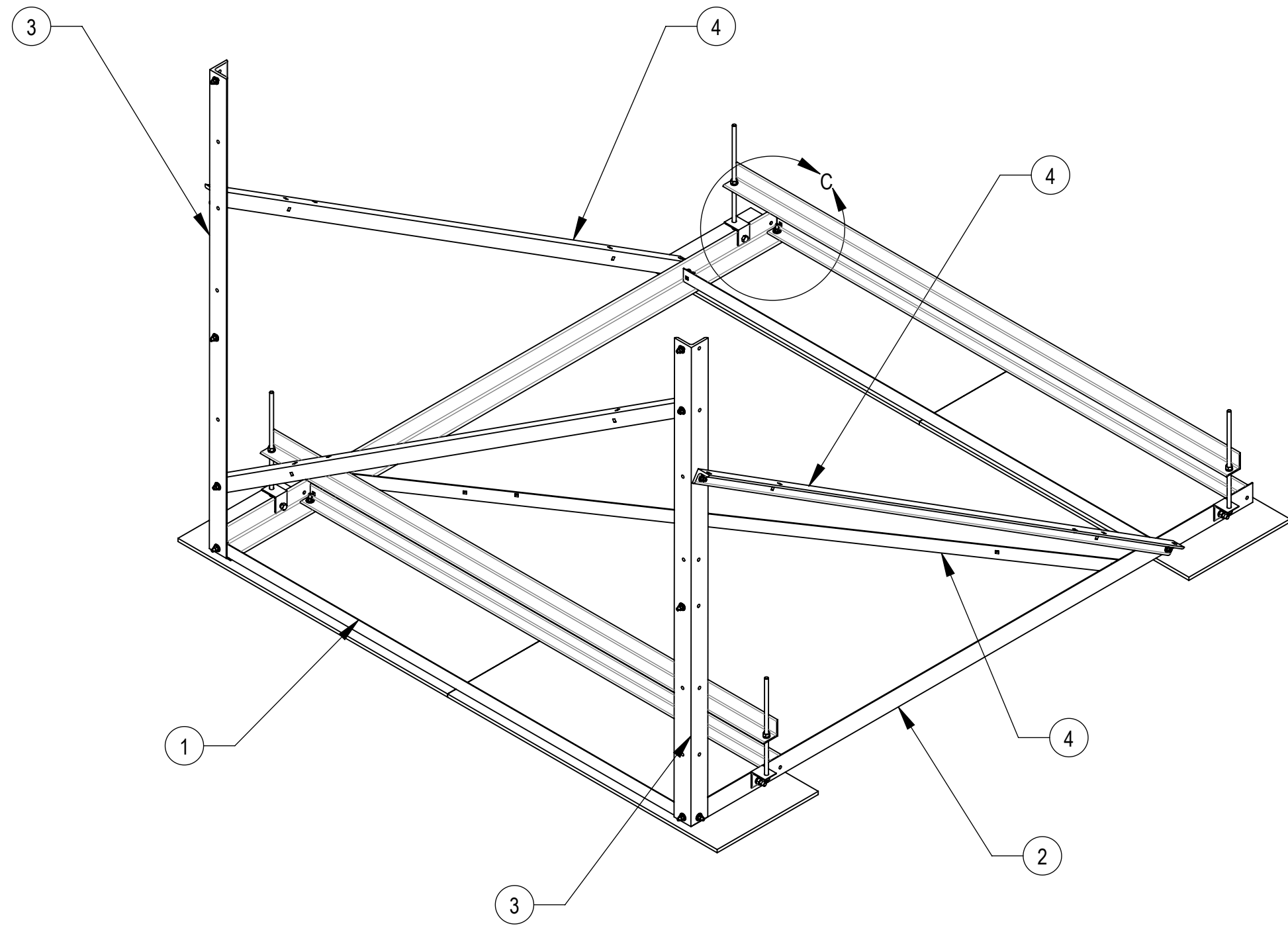


BOM IS FOR REFERENCE ONLY, PART NUMBER SUBSTITUTIONS MAY BE MADE

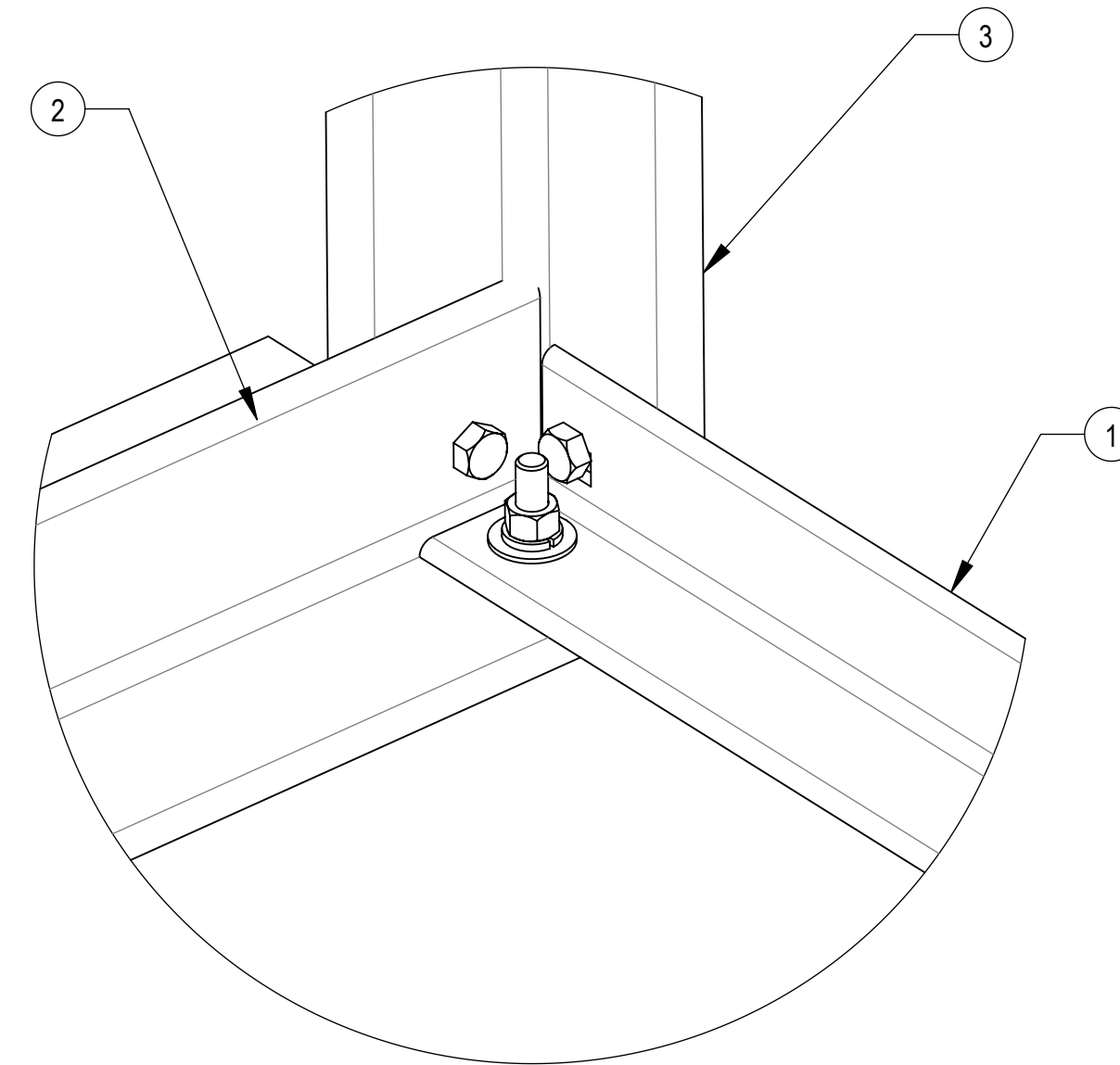
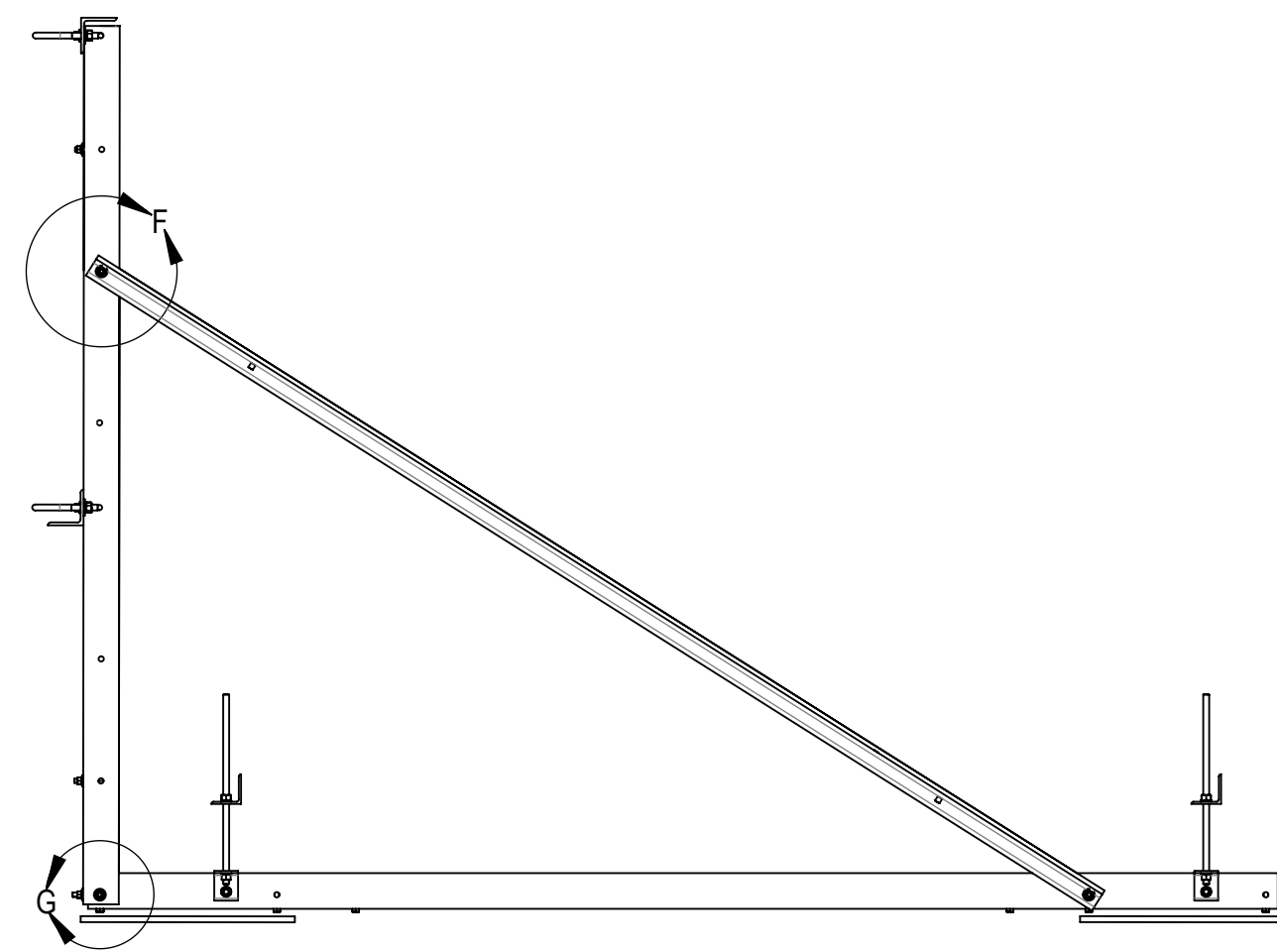
ITEM NO.	PART NUMBER	DESCRIPTION	QTY.
1	RFNB02	NON-PEN. ROOF MOUNT BASE ANGLE 2	4
2	MTC997807	NON-PEN. ROOF MOUNT BASE ANGLE 7	2
3	MTC997811	NON-PEN. ROOF MOUNT BASE ANGLE 8	2
4	RFNB04	NON-PEN. ROOF MOUNT BASE ANGLE 4	4
5	MTC99781001	NON-PEN ROOF FRAME FACE ANGLE, 10'	2
6	MT54796	3.50" OD X 96" GALV PIPE	3
7	GUB-4355	1/2" X 3-5/8" X 5" GALV U-BOLT	6
8	GWFL-03	3/8" GALV FLAT WASHER	24
9	GB-03145	3/8" X 1-1/2" GALV BOLT KIT	24
10	MT-F1637	RUBBER MAT .5" X 18" X 48"	4
11	MTC704901	ANTI-THEFT BAR	2
12	MTC8326.01	CLIP ANGLE	4
13	MT37916	1/2" X 16" GALV THREADED ROD	4
14	GWL-04	1/2" GALV LOCK WASHER	8
15	GN-04	1/2" GALV HEX NUT	8
16	GB-04165	1/2" X 1-3/4" GALV BOLT KIT	4

COMMSCOPE, INC. OF NORTH CAROLINA				
TITLE SECTOR FRAME, ROOF TOP, 10 FT FACE				
SIZE D	SCALE 1:16	DOCUMENT NO. RF-NL10-DSH		
		DRAWING		SHEET 2 OF 3
		VERSION	STATUS	
		05	RE	D

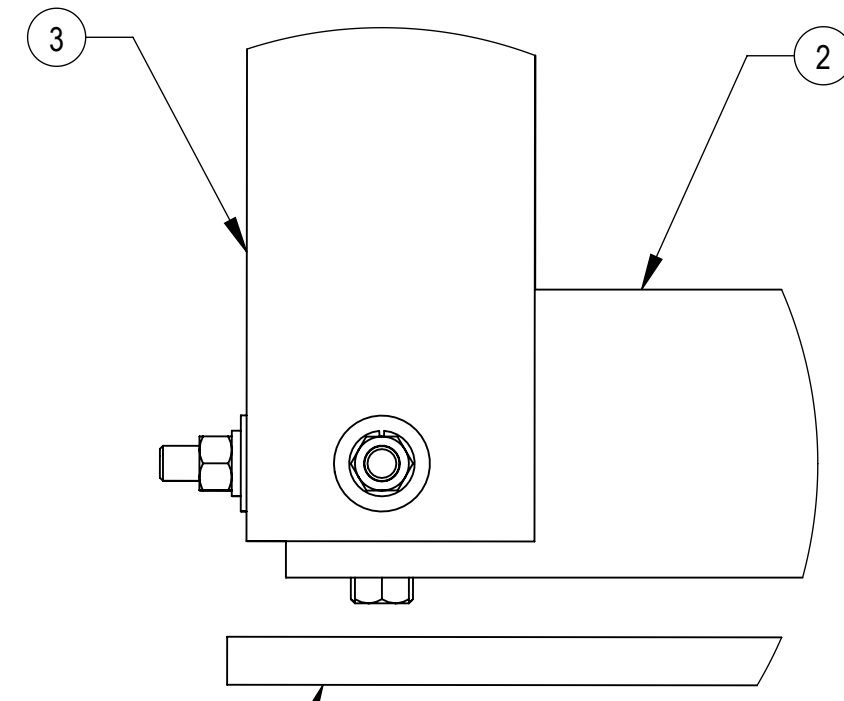
NOTES:



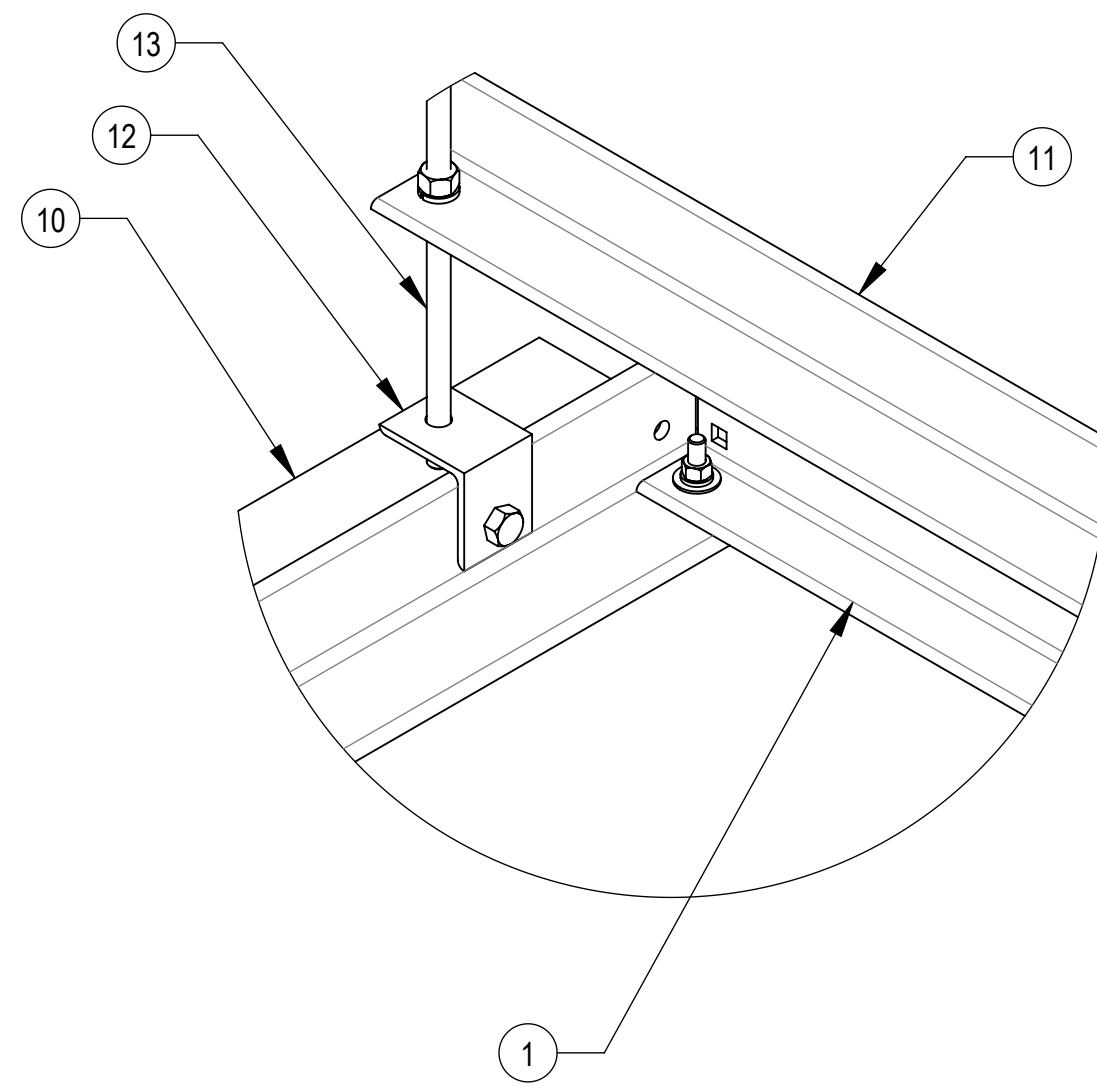
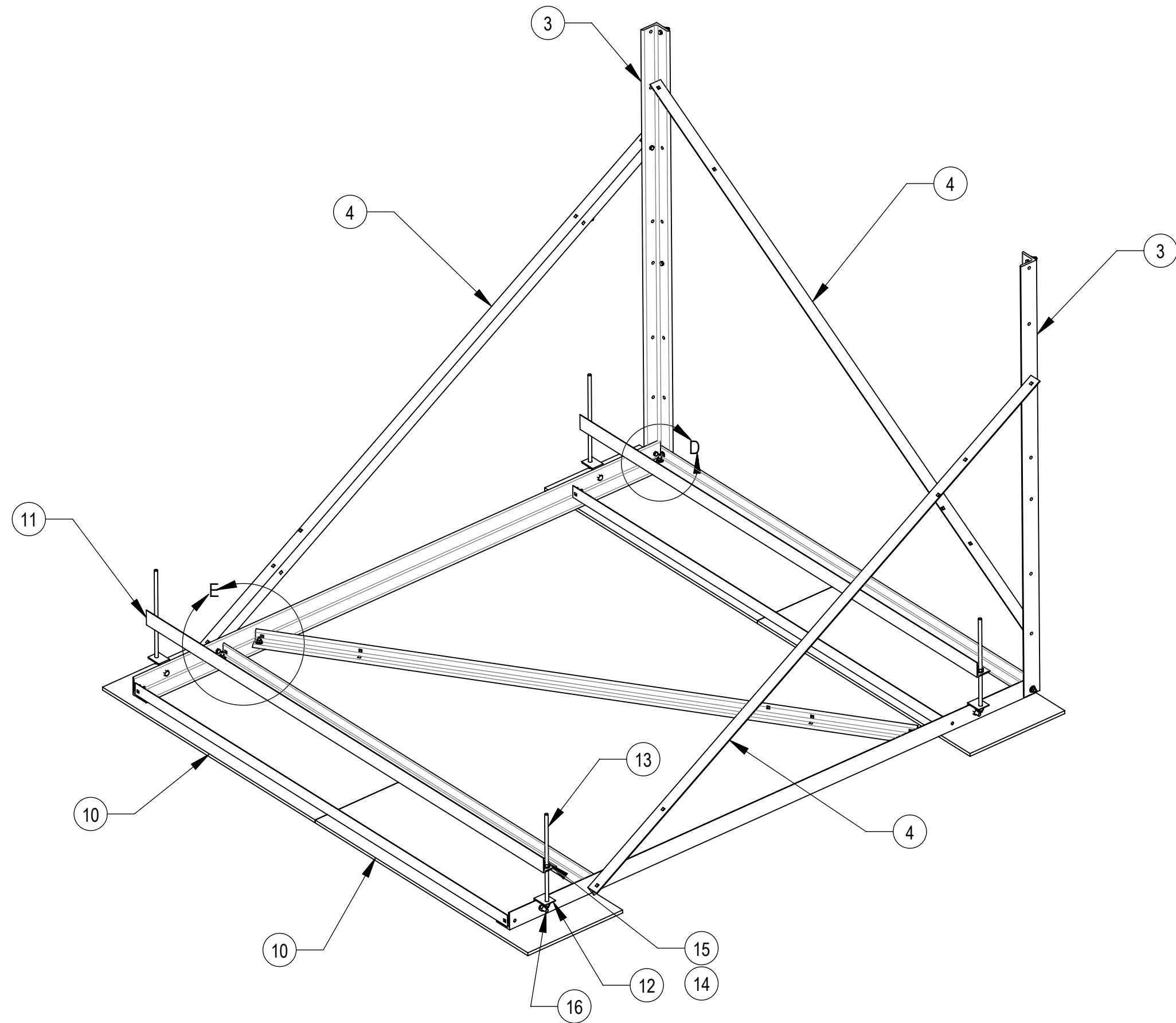
DETAIL F
SCALE 1:2



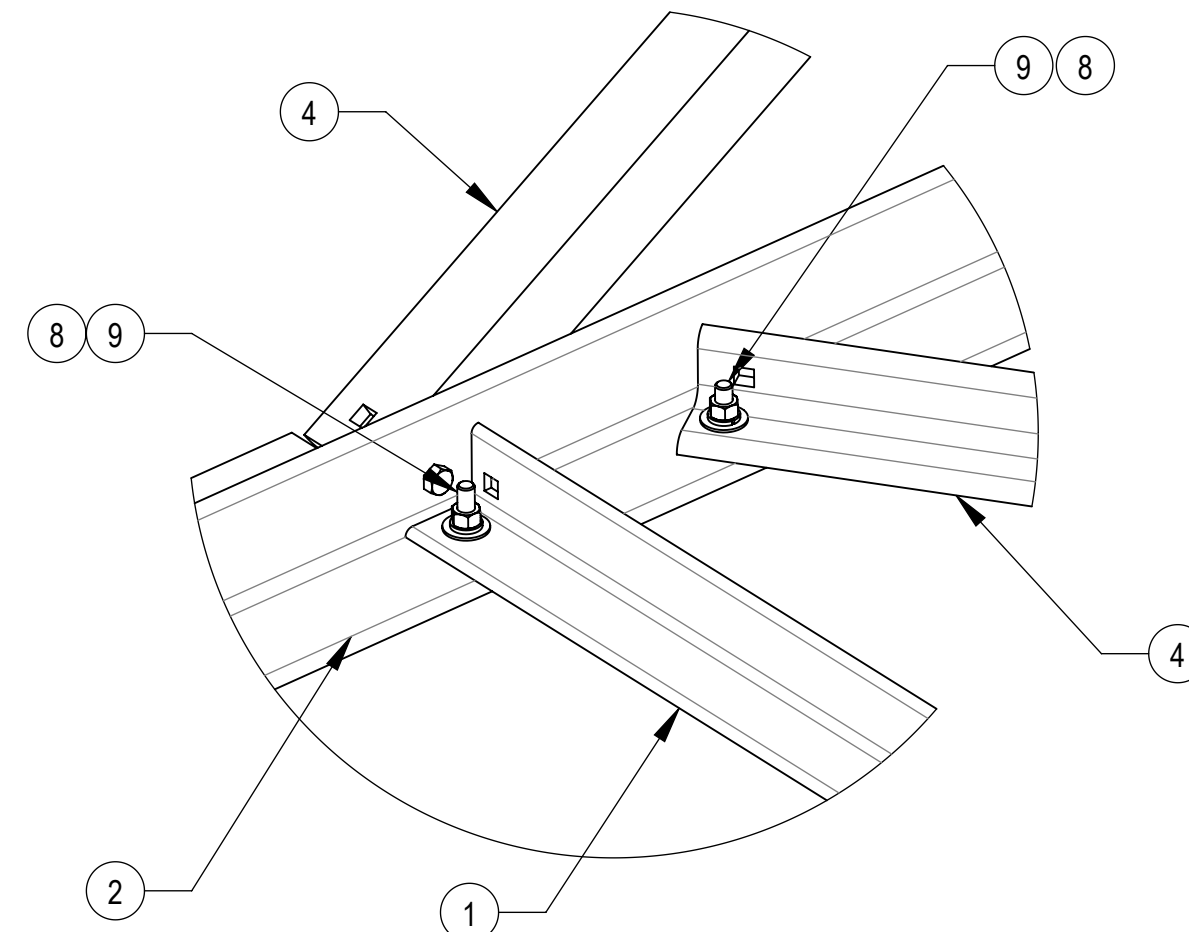
DETAIL D
SCALE 1:2



DETAIL G
SCALE 1:2



DETAIL C
SCALE 1:4



DETAIL E
SCALE 1:4

COMMSCOPE, INC. OF NORTH CAROLINA				
TITLE SECTOR FRAME, ROOF TOP, 10 FT FACE				
SIZE D	SCALE 1:16	DOCUMENT NO. RF-NL10-DSH		
		DRAWING		SHEET
		VERSION	STATUS	REVISION
		05	RE	D
				SHEET 3 OF 3