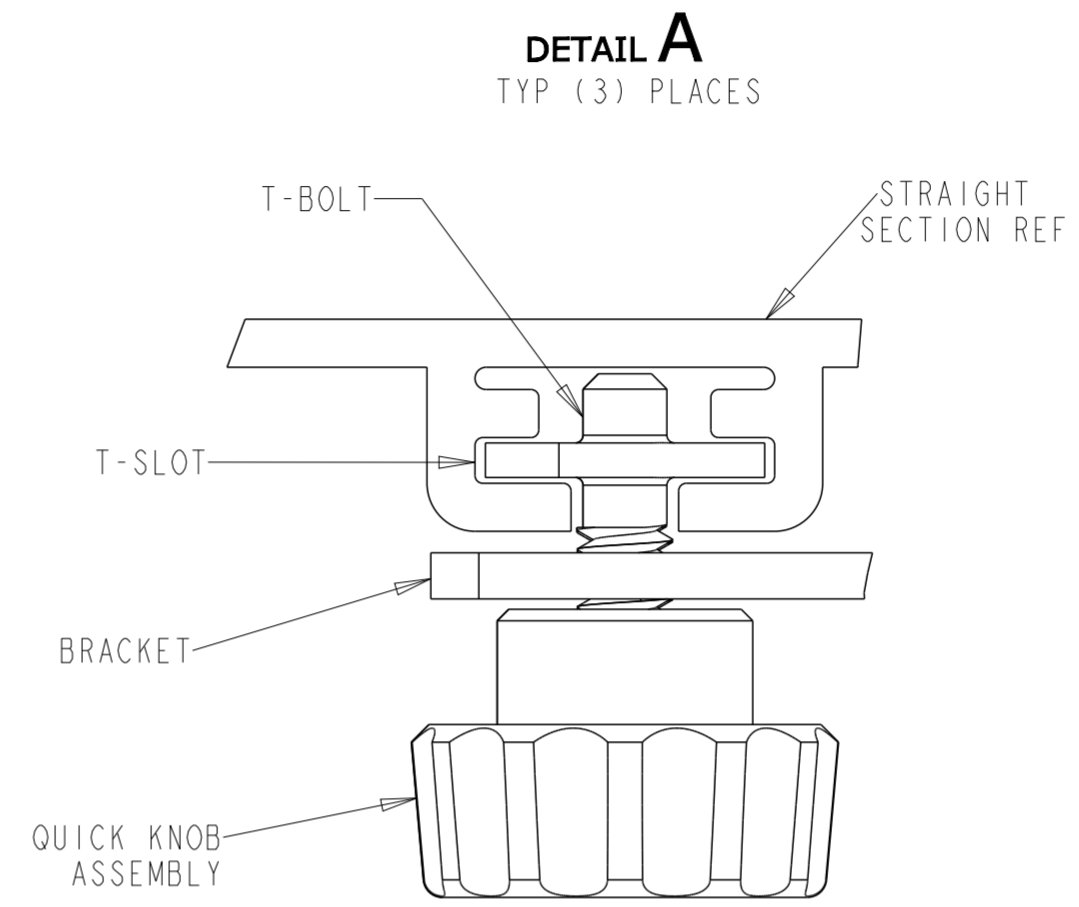
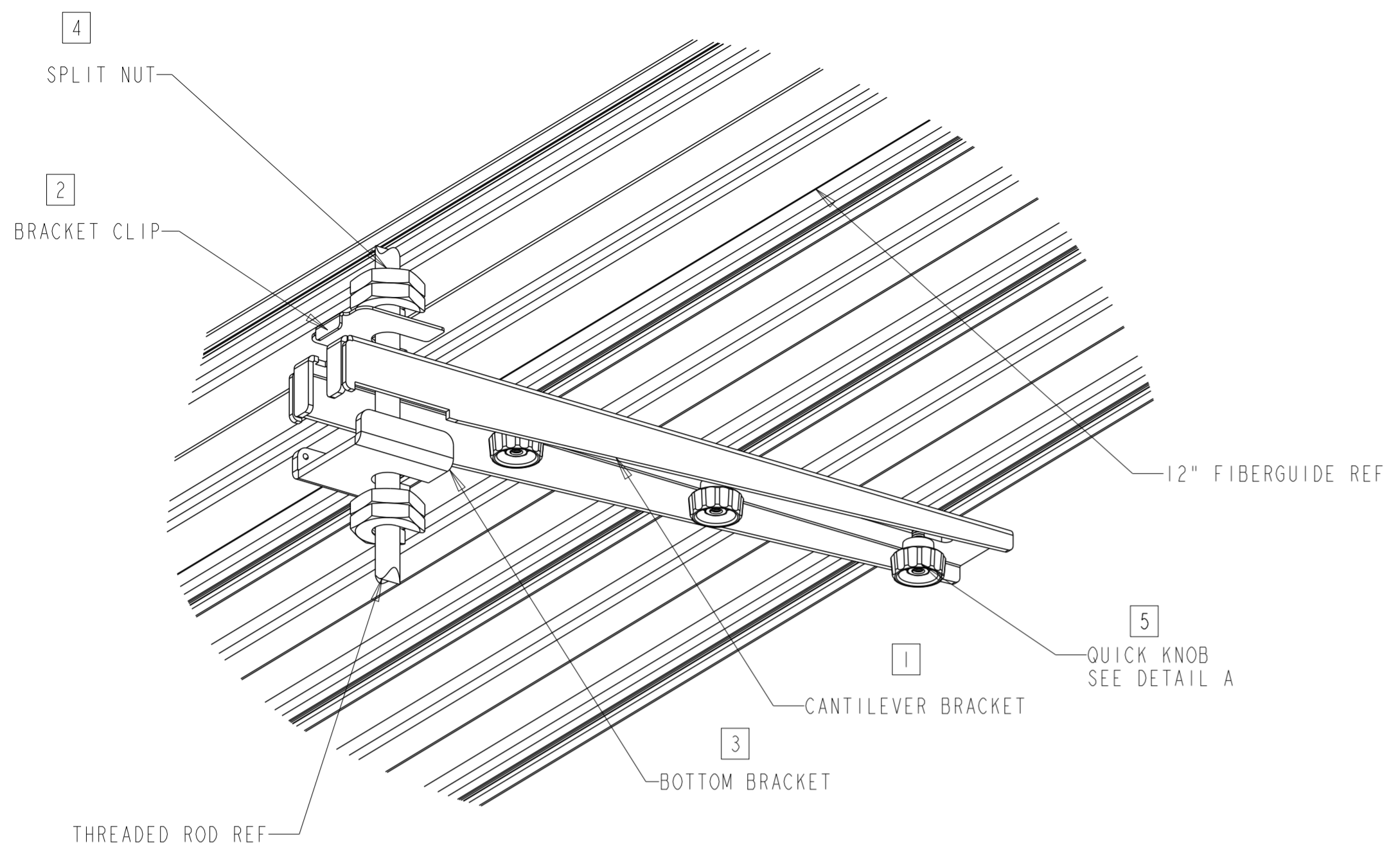
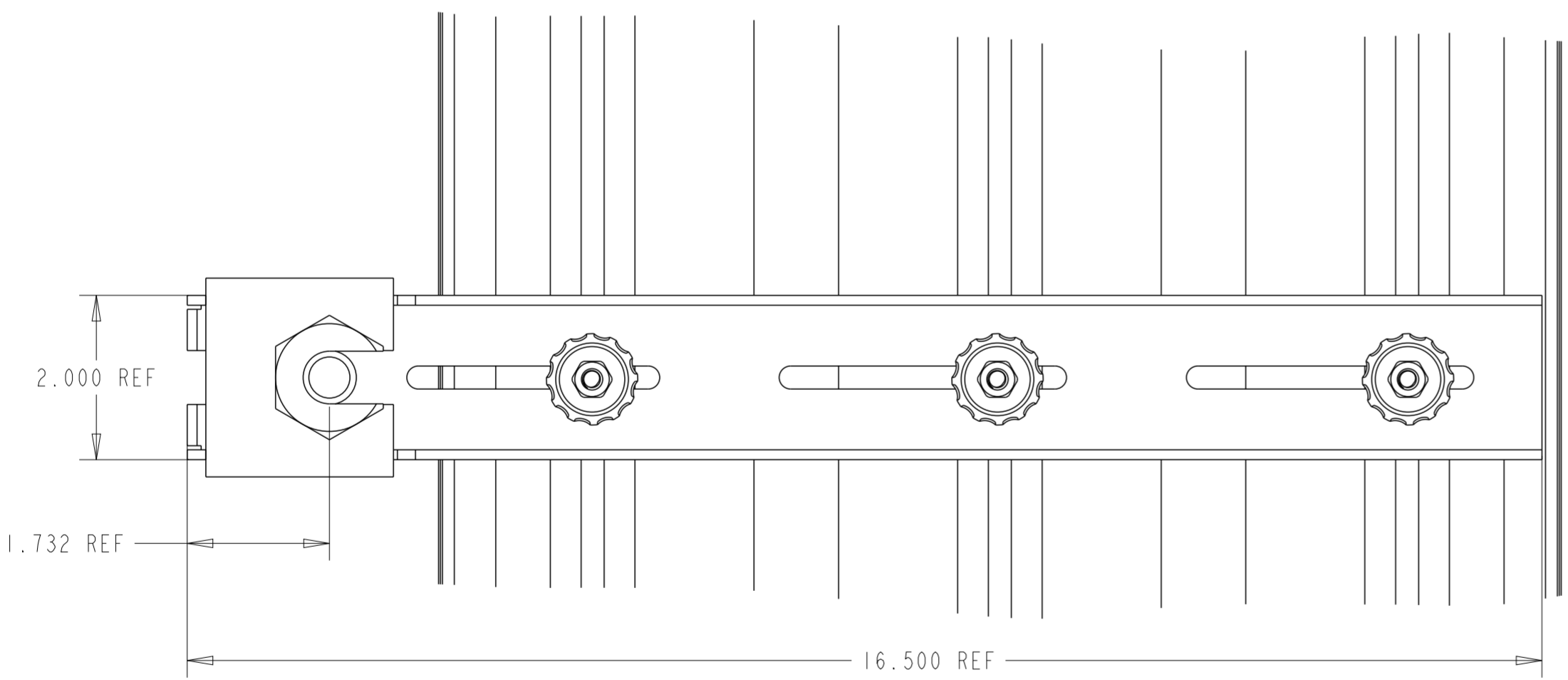


REVISIONS			
REV	CMO	DATE	APPROVED
C	40167074CMO	31-JUL-2023	IDM
D	40178757CMO	06-SEP-2023	MAM



PARTS LIST		
	DESCRIPTION	QTY
1	CANTILEVER BRACKET	1
2	BRACKET CLIP	1
3	BOTTOM BRACKET	1
4	SPLIT NUT	2
5	QUIC KNOB ASSEMBLY	3
6	SCREW, THREAD FORM, 1/4-20	3



FGS-HETR-F-12MM	12MM
FGS-HETR-F-16MM	16MM
FGS-HETR-F-1/2	1/2"
FGS-HETR-F-5/8	5/8"
CATALOG NUMBER	ROD DIAMETER

NOTES:

- ITEMS INCLUDED IN KIT ARE LISTED IN TABLE.
- QUICK KNOB INSTALLATION INSTRUCTIONS: (FOR MOUNTING TO STRAIGHT SECTIONS ONLY)

(1) INSERT QUICK KNOB ASSEMBLY THROUGH BRACKET, ROTATE 90°, AND INTO T-SLOT IN FGS STRAIGHT SECTION. ROTATE QUICK KNOB CLOCKWISE SUCH THAT QUICK KNOB FLANGES EXTEND INTO T-SLOT. HAND TIGHTEN KNOB. SEE DETAIL A.

COMMSCOPE, INC.

TOLERANCES		.XX:±&TOL.XX .XXX:±&TOL.XXX ANGULAR:±&TOL.ANG		SAP MATERIAL MASTER	
FINISH		MATERIAL			
UNLESS OTHERWISE SPECIFIED DIMENSIONS ARE IN INCHES	DRAFTER	CRAIG ZELASKO		TITLE	
	CHECKER	RUBEN ARVILLA		I.D. 12" FGS EXISTING THRD ROD MNTG KIT	
	ENGINEER	DEREK DERKS		SIZE	SCALE
	CMO	40178757CMO		A2	0.600
ALL SURFACES		AUTH GRP: ISPF	MODEL	DRAWING	
✓	⊙	VERSION	STATUS	REVISION	VERSION STATUS REVISION
		01	RE	D	02 RE D

SHEET 1 OF 2

© 2023 CommScope, Inc. Confidential
 NOTICE: These drawings and specifications are the proprietary property of COMMSCOPE, INC. and may be used only for the specific purpose authorized in writing by COMMSCOPE, INC.

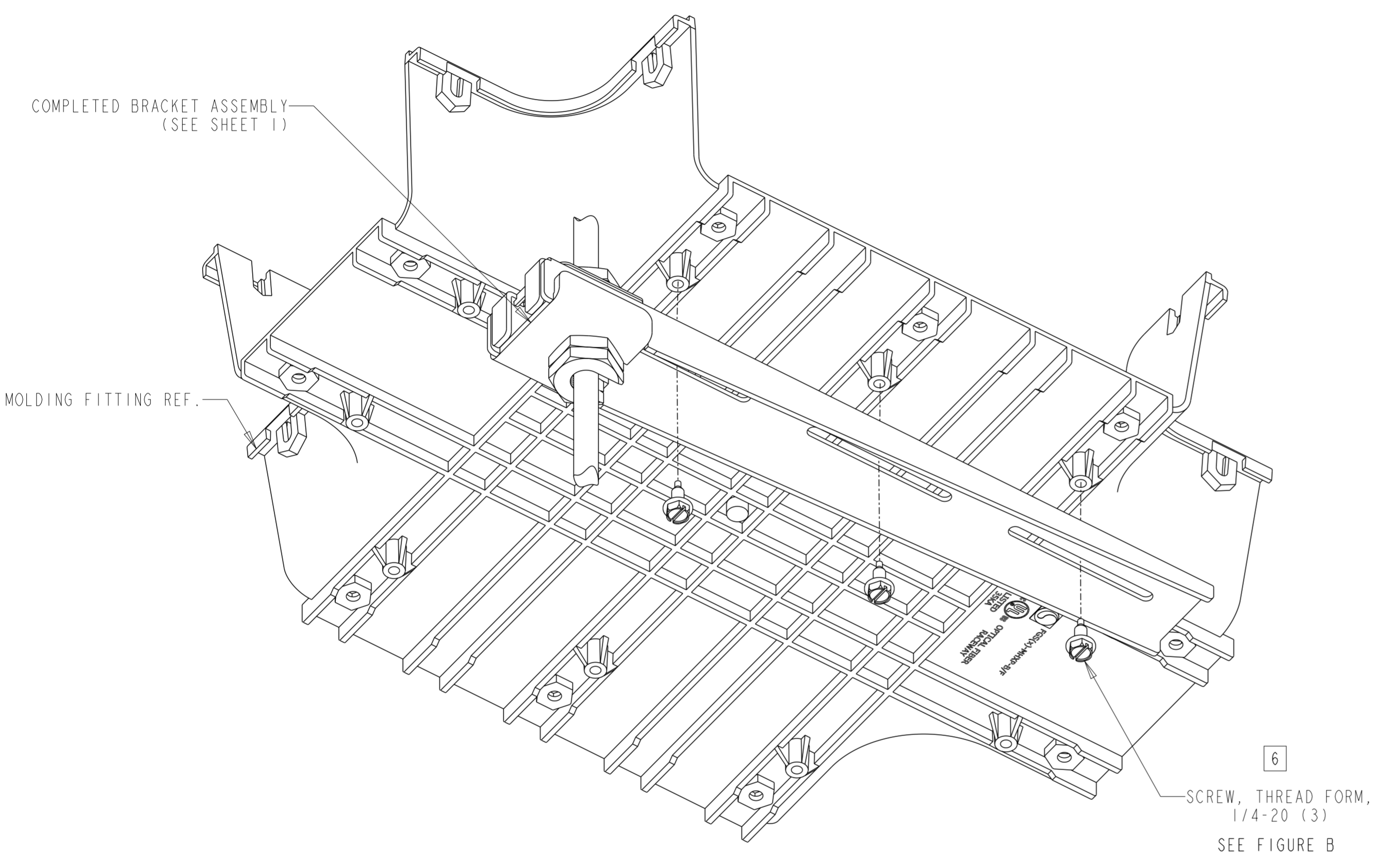
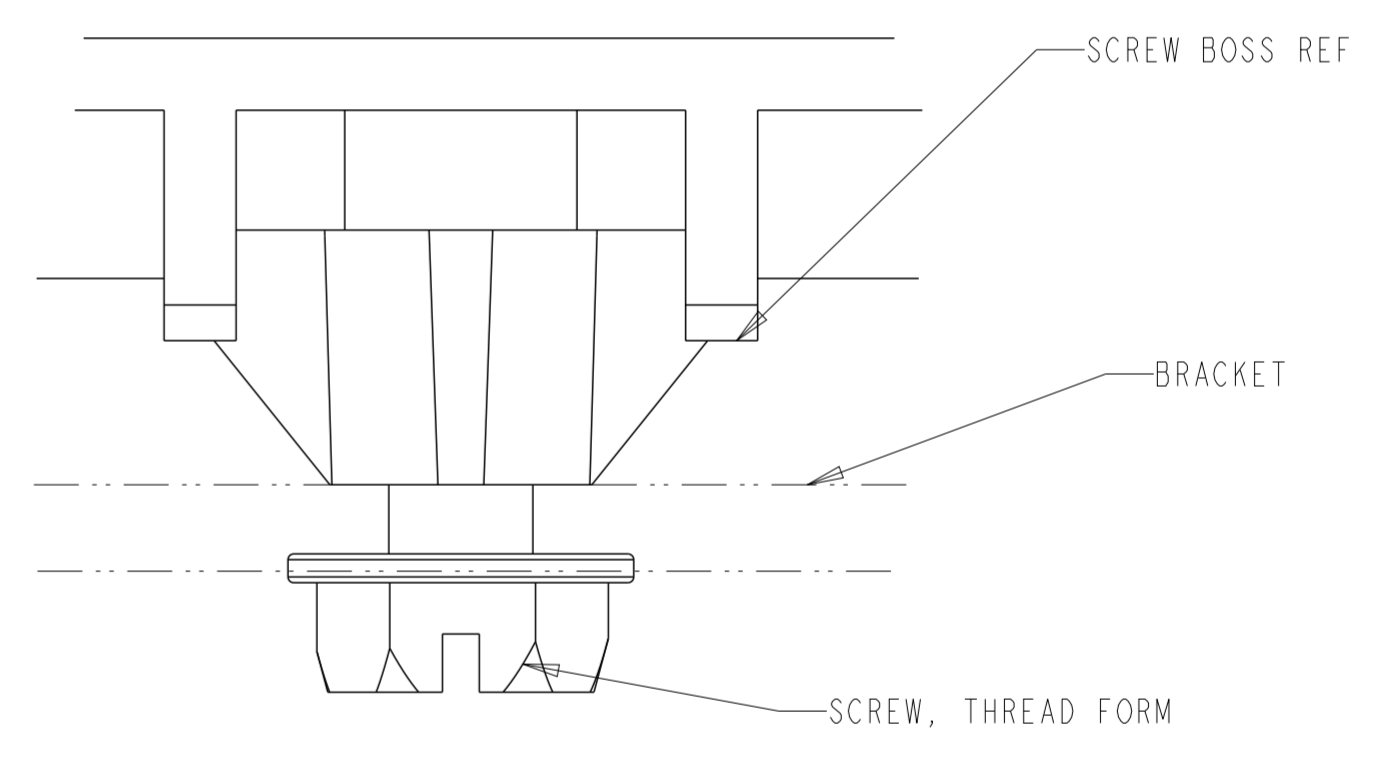


FIGURE B
TYP (3) PLACES



NOTE:
SCREW INSTALLATION INSTRUCTIONS: (FOR MOUNTING TO FITTINGS ONLY)

1. INSERT SCREW THROUGH BRACKET AND INTO SCREW BOSS ON MOLDED FITTING. TIGHTEN SCREW. SEE FIGURE B.

NOTE- IF MOUNTING BRACKET TO FITTINGS, BRACKET MUST BE POSITIONED APPROXIMATELY 3/8" LOWER THAN BRACKETS USED ON STRAIGHT SECTIONS.

© 2023 CommScope, Inc. Confidential
NOTICE: These drawings and specifications are the proprietary property of COMMScope, INC. and may be used only for the specific purpose authorized in writing by COMMScope, INC.

COMMSCOPE, INC.			
TITLE I.D. 12" FGS EXISTING THRD ROD MNTG KIT			
SIZE A2	SCALE 0.600	DOCUMENT NO. 1168724_ADC	
DRAWING			SHEET
VERSION 02	STATUS RE	REVISION D	2 OF 2