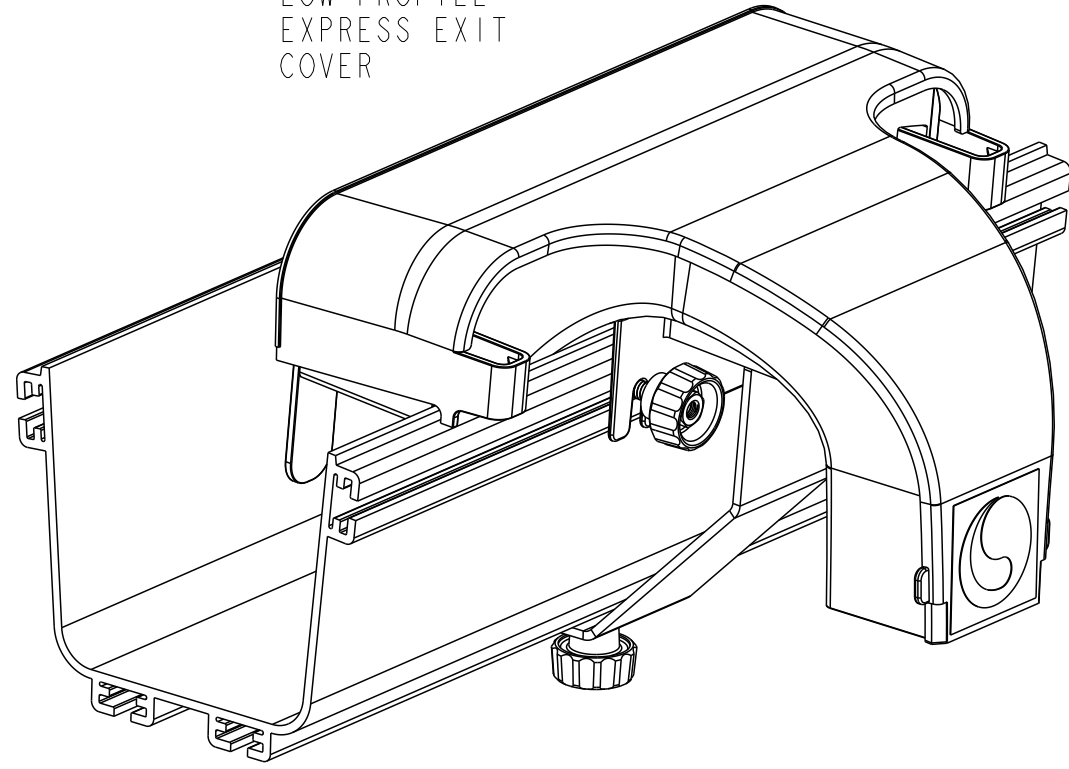
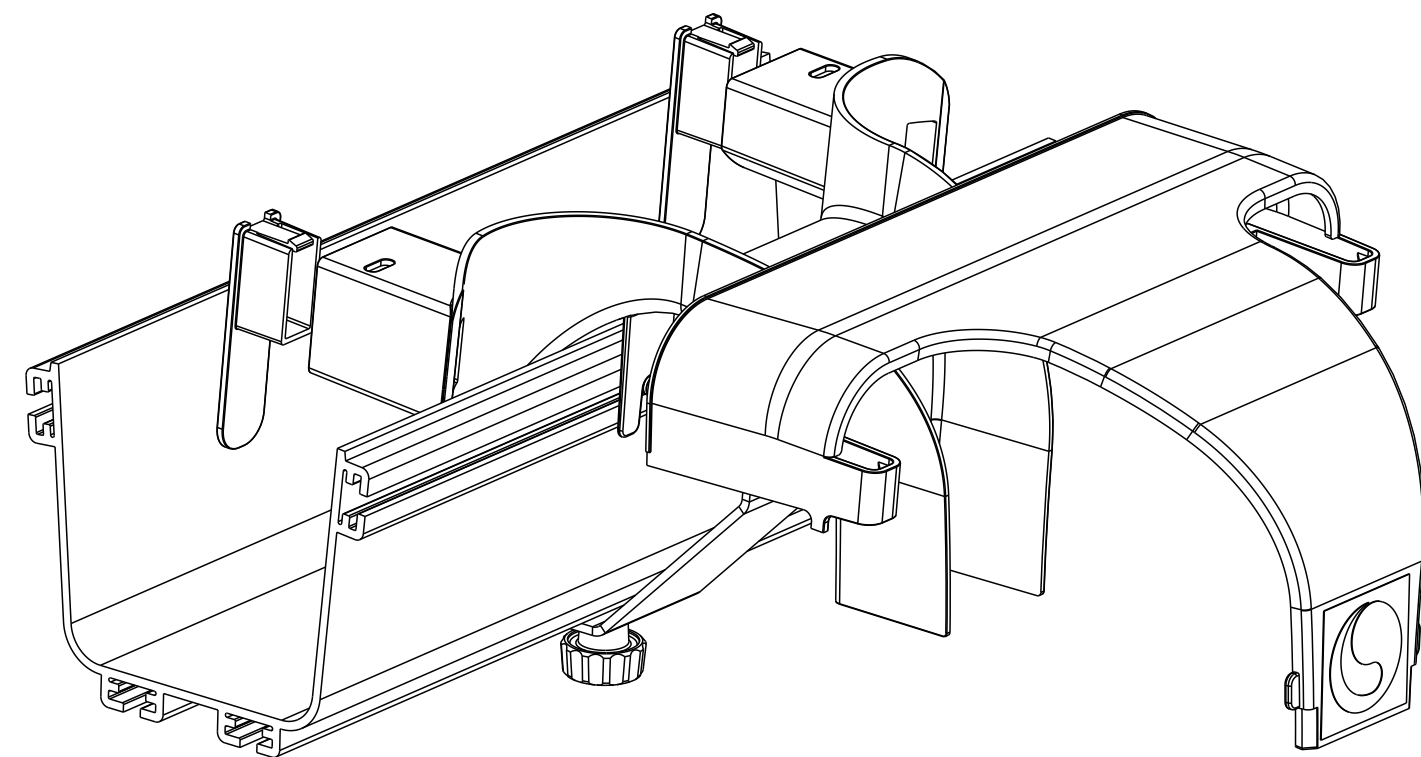
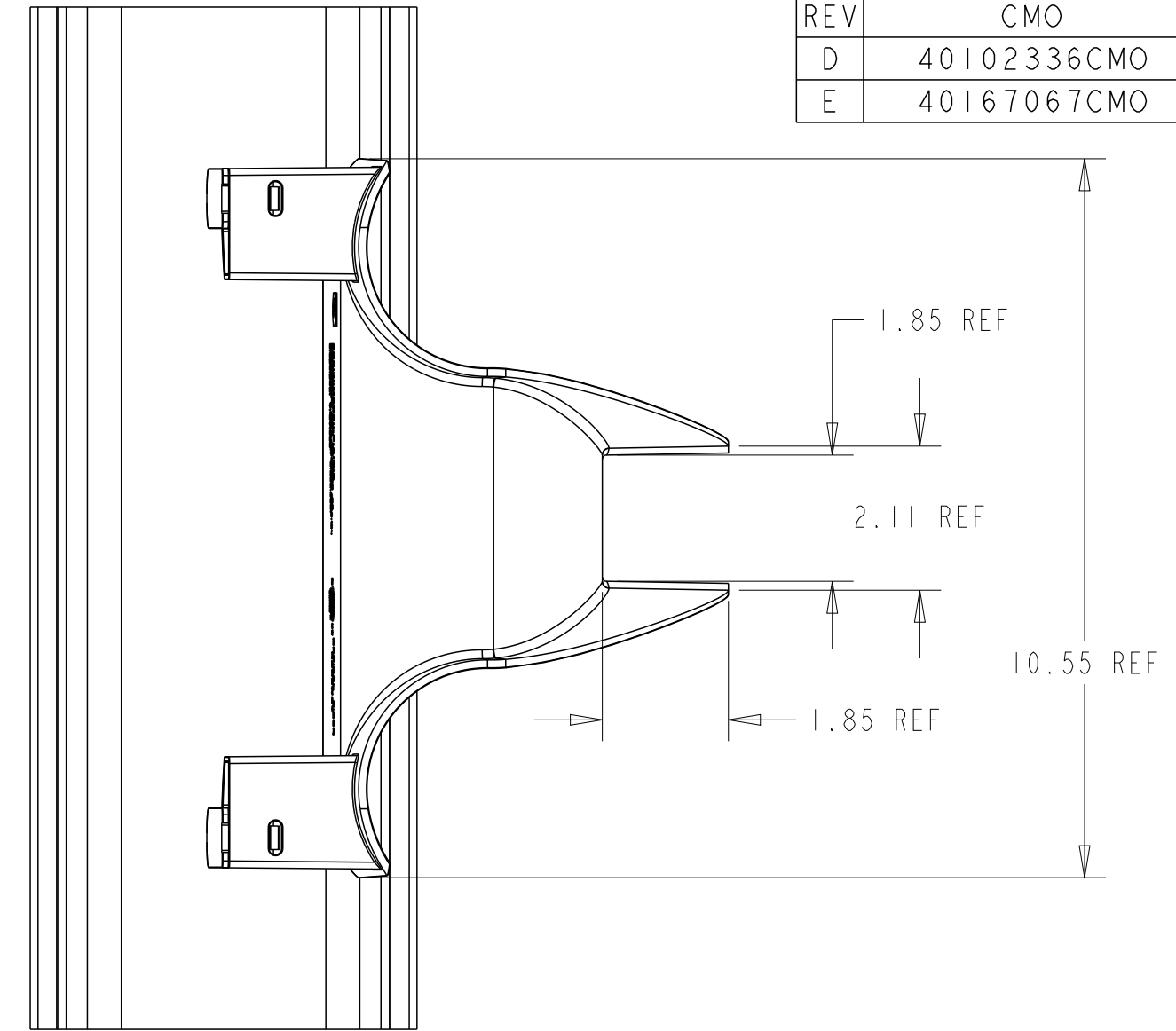


REVISIONS			
REV	CMO	DATE	APPROVED
D	40102336CMO	11-DEC-2019	ODVL
E	40167067CMO	27-JUL-2023	IDM

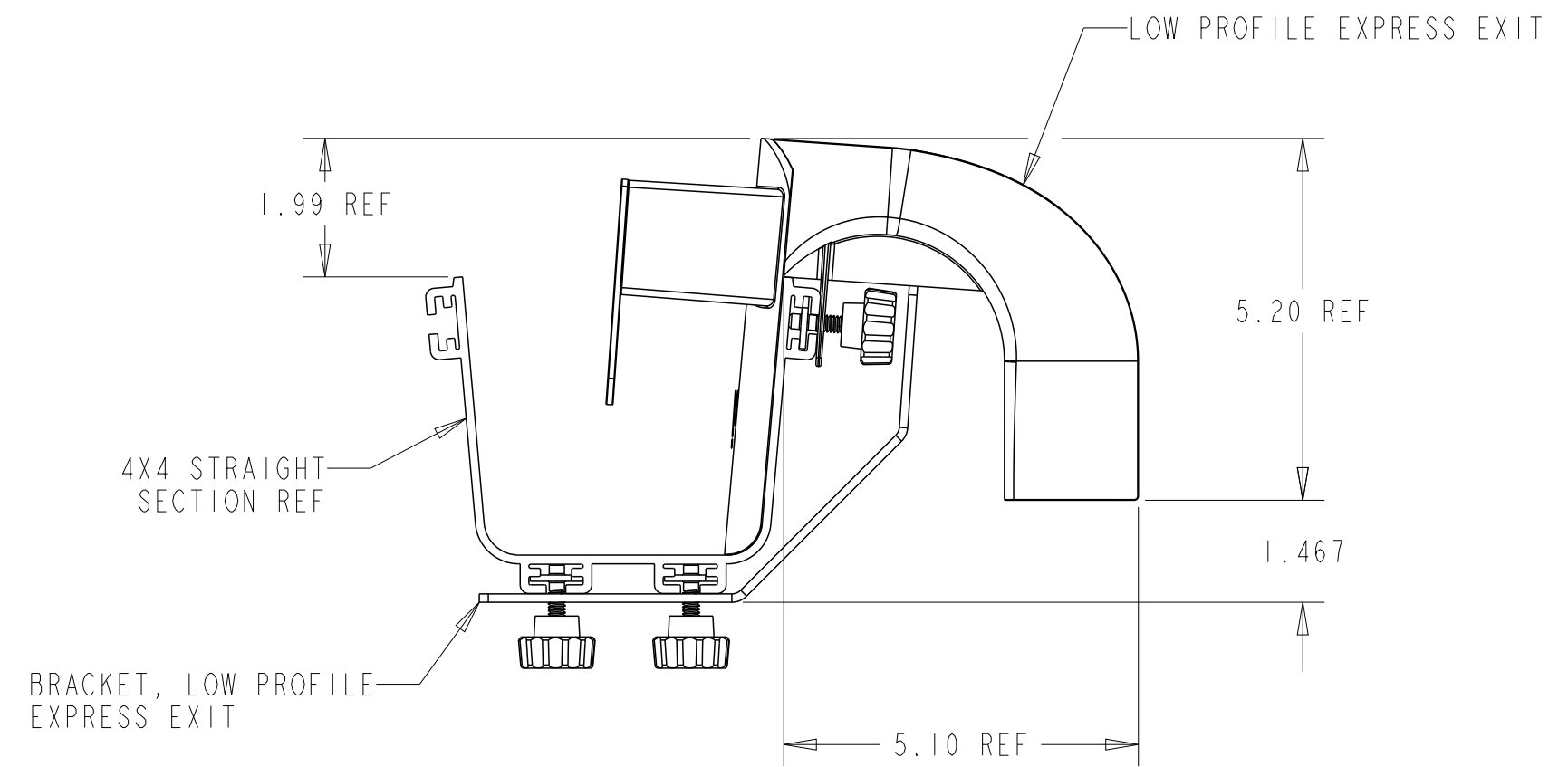
LOW PROFILE  
EXPRESS EXIT  
COVER



COVER ON VIEW  
SCALE 0.400



COVER OFF VIEW  
SCALE 0.400

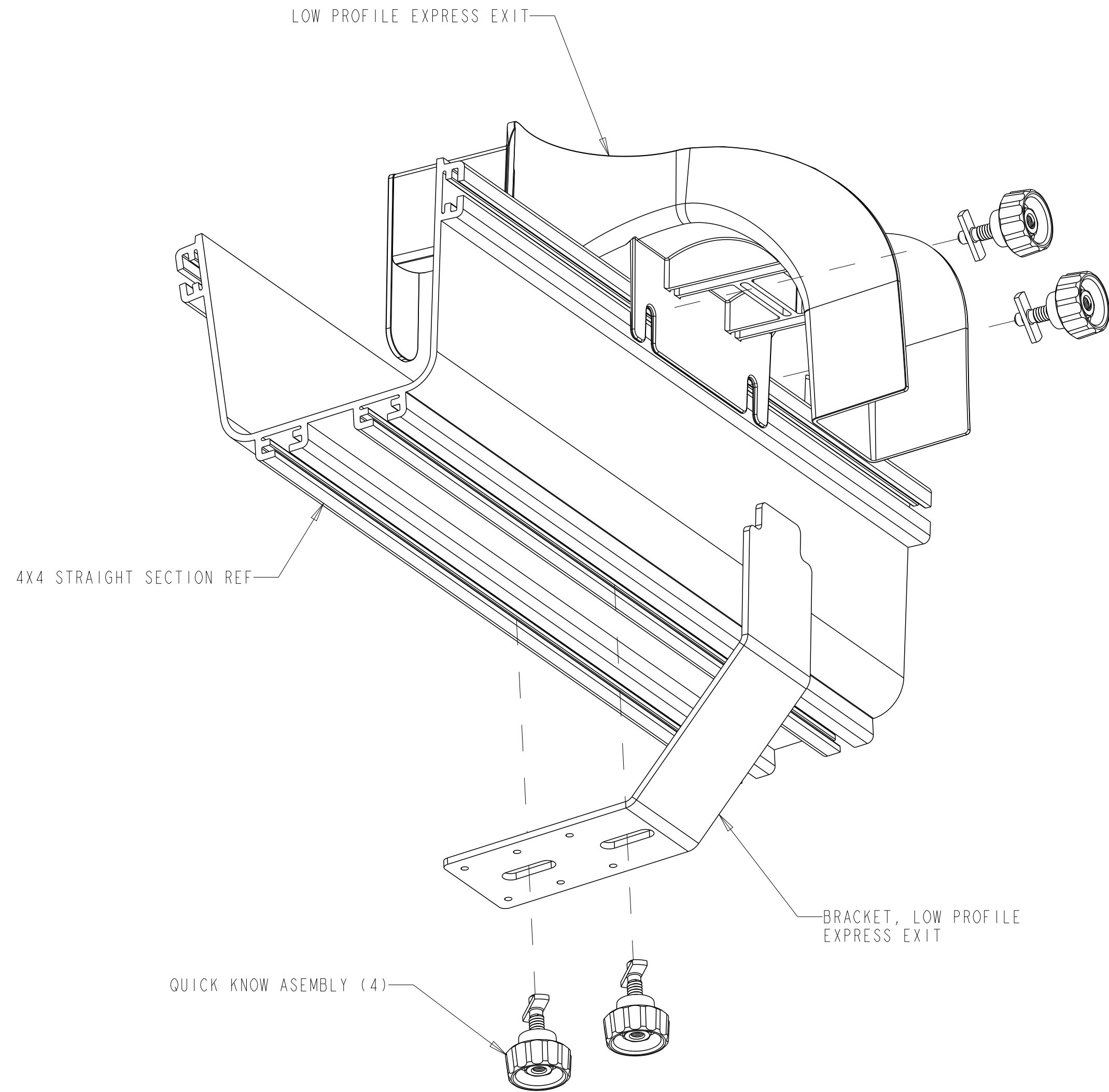
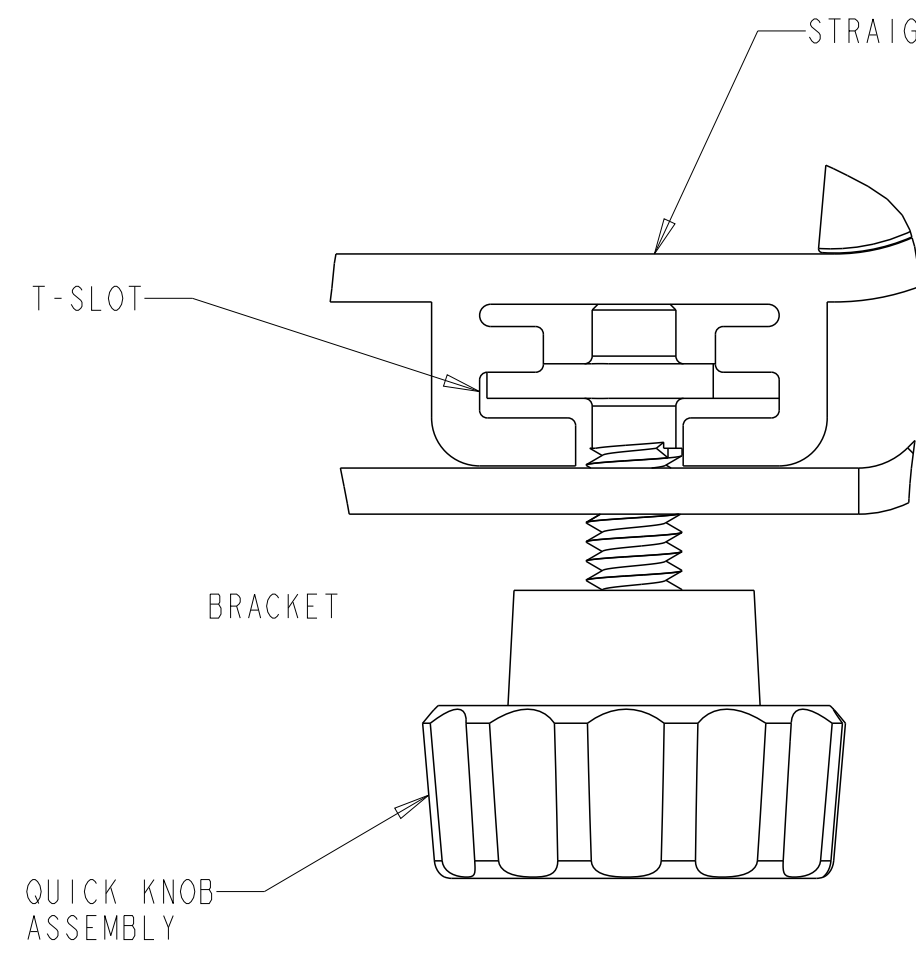


EXPRESS EXIT  
ON TROUGH VIEW  
SCALE 0.400

PARTS LIST	
DESCRIPTION	QTY
LOW PROFILE EXPRESS EXIT	1
COVER, LOW PROFILE EXPRESS EXIT	1
BRACKET, FIBER RETAINING	2
BRACKET, LOW PROFILE EXPRESS EXIT	1
BRACKET, EXTENSION	1
QUICK KNOB ASSEMBLY	4
SCREW, 6-32 X .25	4

FGSB-MEXP-LP-A/B/F	BLACK
FGS-MEXP-LP-A/B/F	YELLOW
FGS-MEXP-LP-ABF-NC	YELLOW
<b>CATALOG No.</b>	<b>COLOR</b>

<b>COMMSCOPE, INC.</b>			
DRAFTER NOEL RIVERA		TITLE DWMSPT, EXT, 1X4 INSTALLATION DWG	
ENGINEER RUBEN ARVILLA		SIZE A2	SCALE 0.500
		DOCUMENT NO. <b>1146047_ADC</b>	
CUSTOMER DRAWING			REVISION E
			SHEET 1 OF 3



INSTALLATION INSTRUCTIONS:

1. PLACE LOW PROFILE EXPRESS EXIT ON STRAIGHT SECTION AS SHOWN.
2. LIFT ONE END OF LOW PROFILE EXPRESS EXIT AND INSTALL QUICK KNOBS INTO T-SLOT, LOWER EXPRESS EXIT ONTO STRAIGHT SECTION. REPEAT FOR OTHER SIDE. ROTATE QUICK KNOBS CLOCKWISE SUCH THAT T-BOLT FLANGES EXTEND INTO T-SLOT. LOOSELY HAND TIGHTEN QUICK KNOBS. SEE DETAIL A

\*WARNING: IF LOW PROFILE EXPRESS EXIT IS REMOVED FROM STRAIGHT SECTION WHILE QUICK KNOBS ARE INSTALLED, QUICK KNOBS WILL FALL OUT.

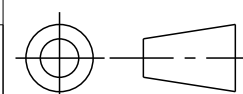
3. ATTACH EXTENSION BRACKET TO LOW PROFILE EXPRESS EXIT BRACKET USING 6-32 X .25 LONG SCREWS. (4X6 AND 4X12 STRIGHT SECTIONS ONLY)
4. INSERT QUICK KNOBS THROUGH BRACKET, ROTATE 90 AND INTO T-SLOT IN STRAIGHT SECTION WHILE INSERTING INTO SLOT ON THE LOW PROFILE EXPRESS EXIT. ROTATE QUICK KNOBS CLOCKWISE SUCH THAT T-BOLT FLANGES EXTEND INTO T-SLOT. SEE DETAIL A.
5. TIGHEN (4) QUICK KNOBS COMPLETELY.

LOW PROFILE EXPRESS  
EXIT INSTALLATION  
4X4 STRAIGHT SECTION  
SCALE 0.600

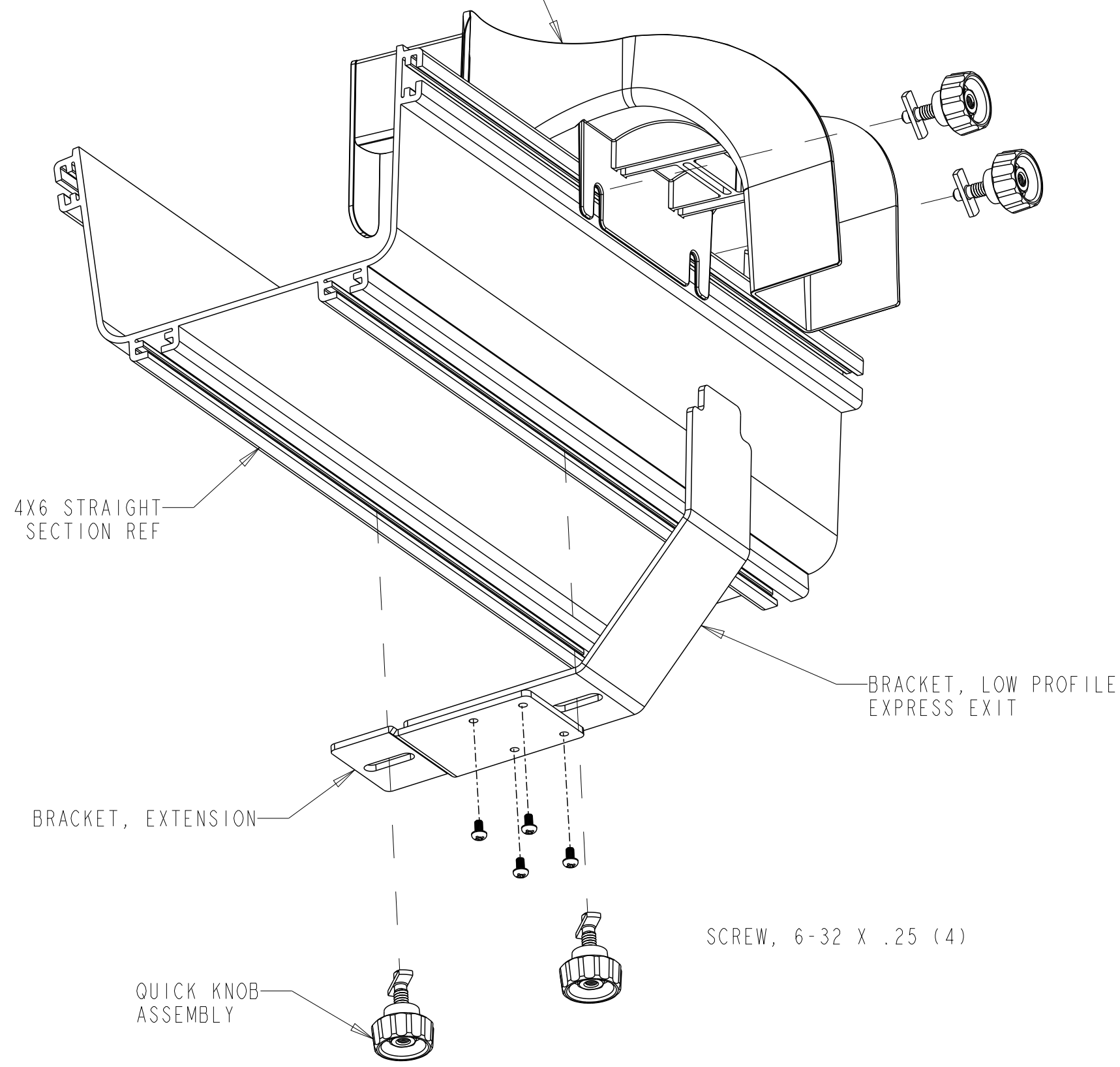
<b>COMMSCOPE, INC.</b>			
TITLE			
DWSMPT, EXT, 1X4' INSTALLATION DWG			
SIZE	SCALE	DOCUMENT NO.	
A2	1:1	<b>1146047_ADC</b>	
DRAWING			SHEET
VERSION	STATUS	REVISION	2 OF 3
03	RE	E	

© 2023 CommScope, Inc. Confidential

NOTICE: These drawings and specifications are the proprietary property of COMMSCOPE, INC. and may be used only for the specific purpose authorized in writing by COMMSCOPE, INC.



LOW PROFILE EXPRESS EXIT



4X6 STRAIGHT SECTION REF

BRACKET, LOW PROFILE EXPRESS EXIT

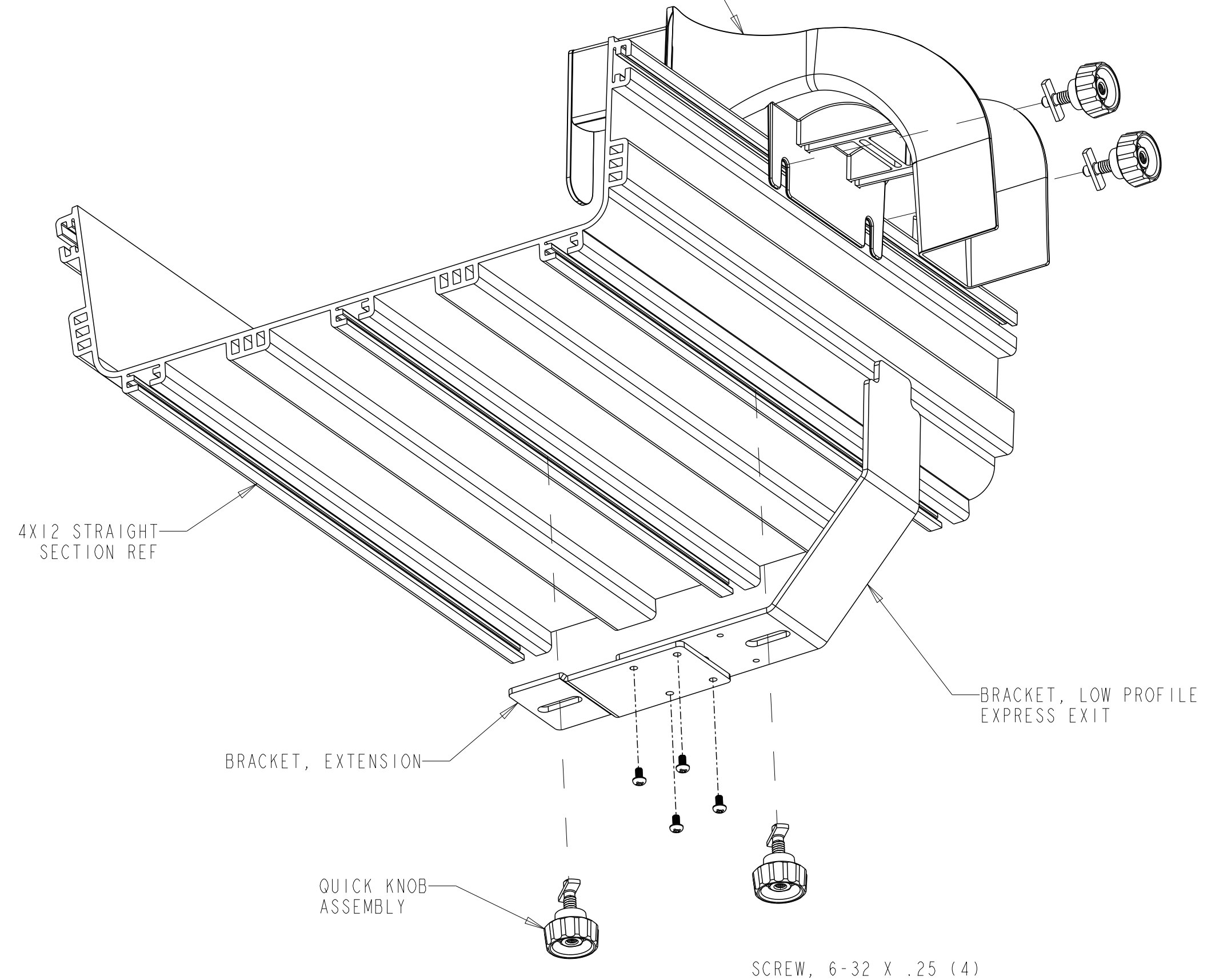
BRACKET, EXTENSION

SCREW, 6-32 X .25 (4)

QUICK KNOB ASSEMBLY

LOW PROFILE EXPRESS  
EXIT INSTALLATION  
4X6 STRAIGHT SECTION  
SCALE 0.450

LOW PROFILE EXPRESS EXIT



4X12 STRAIGHT SECTION REF

BRACKET, LOW PROFILE EXPRESS EXIT

BRACKET, EXTENSION

SCREW, 6-32 X .25 (4)

QUICK KNOB ASSEMBLY

LOW PROFILE EXPRESS  
EXIT INSTALLATION  
4X12 STRAIGHT SECTION  
SCALE 0.450

COMMSCOPE, INC.

TITLE  
DWMSPT, EXT, 1X4 INSTALLATION DWG

SIZE	SCALE	DOCUMENT NO.
A2	1:1	1146047_ADC

DRAWING			SHEET 3 OF 3
VERSION	STATUS	REVISION	
03	RE	E	

© 2023 CommScope, Inc. Confidential

NOTICE: These drawings and specifications are the proprietary property of COMMSCOPE, INC. and may be used only for the specific purpose authorized in writing by COMMSCOPE, INC.

