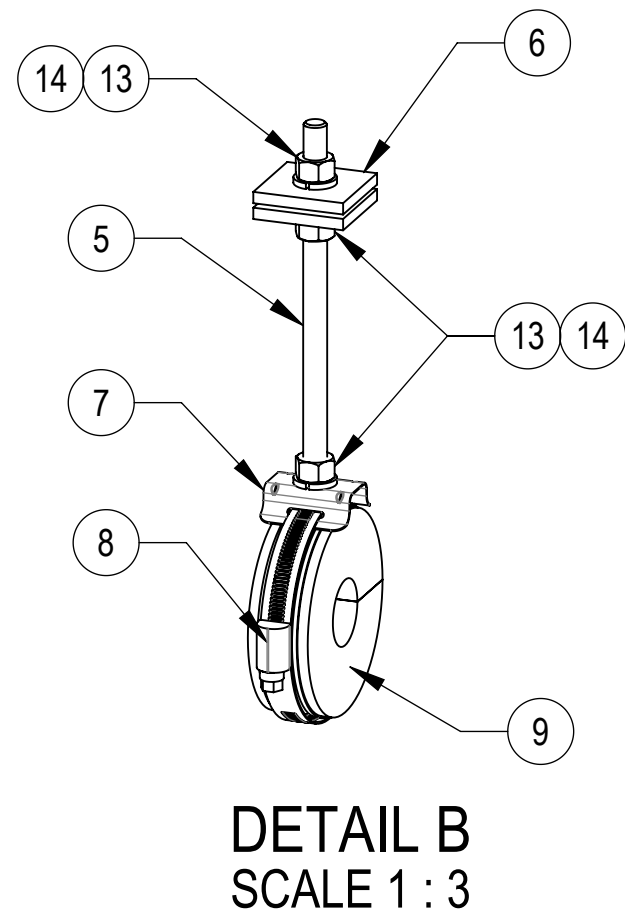
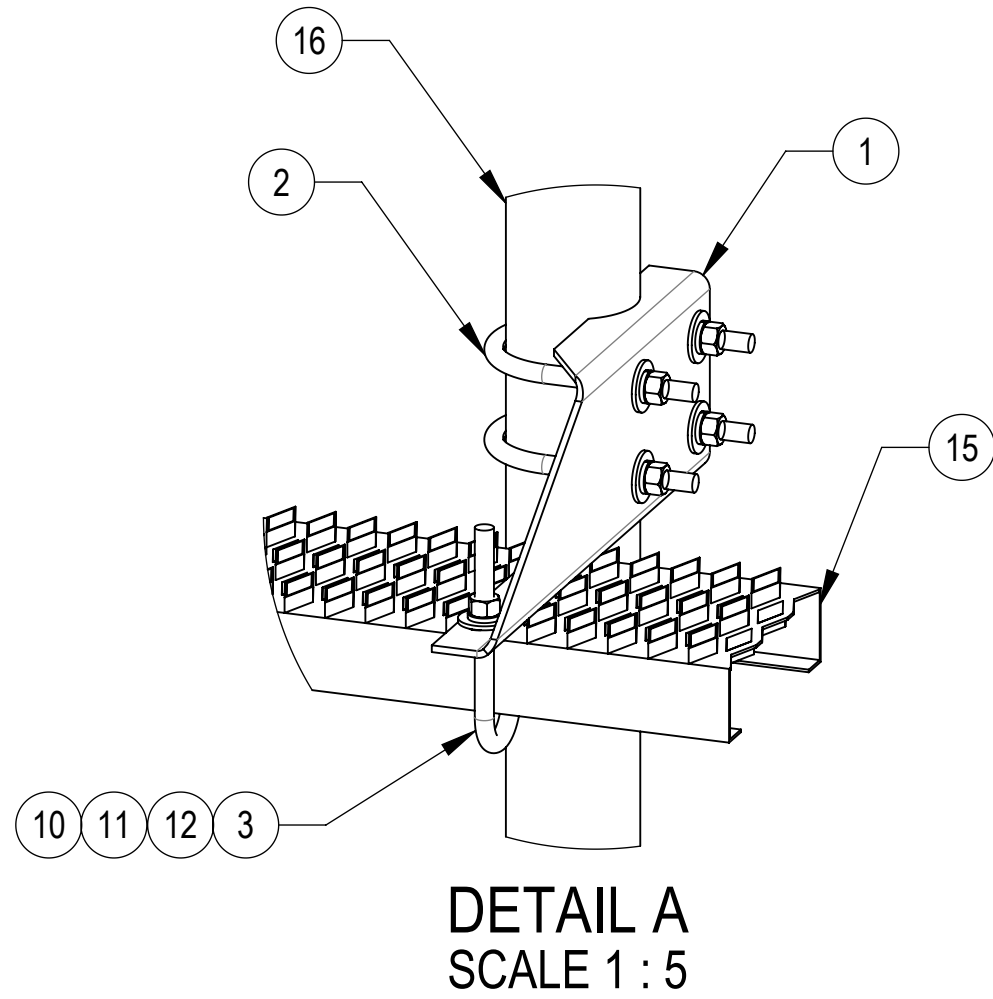
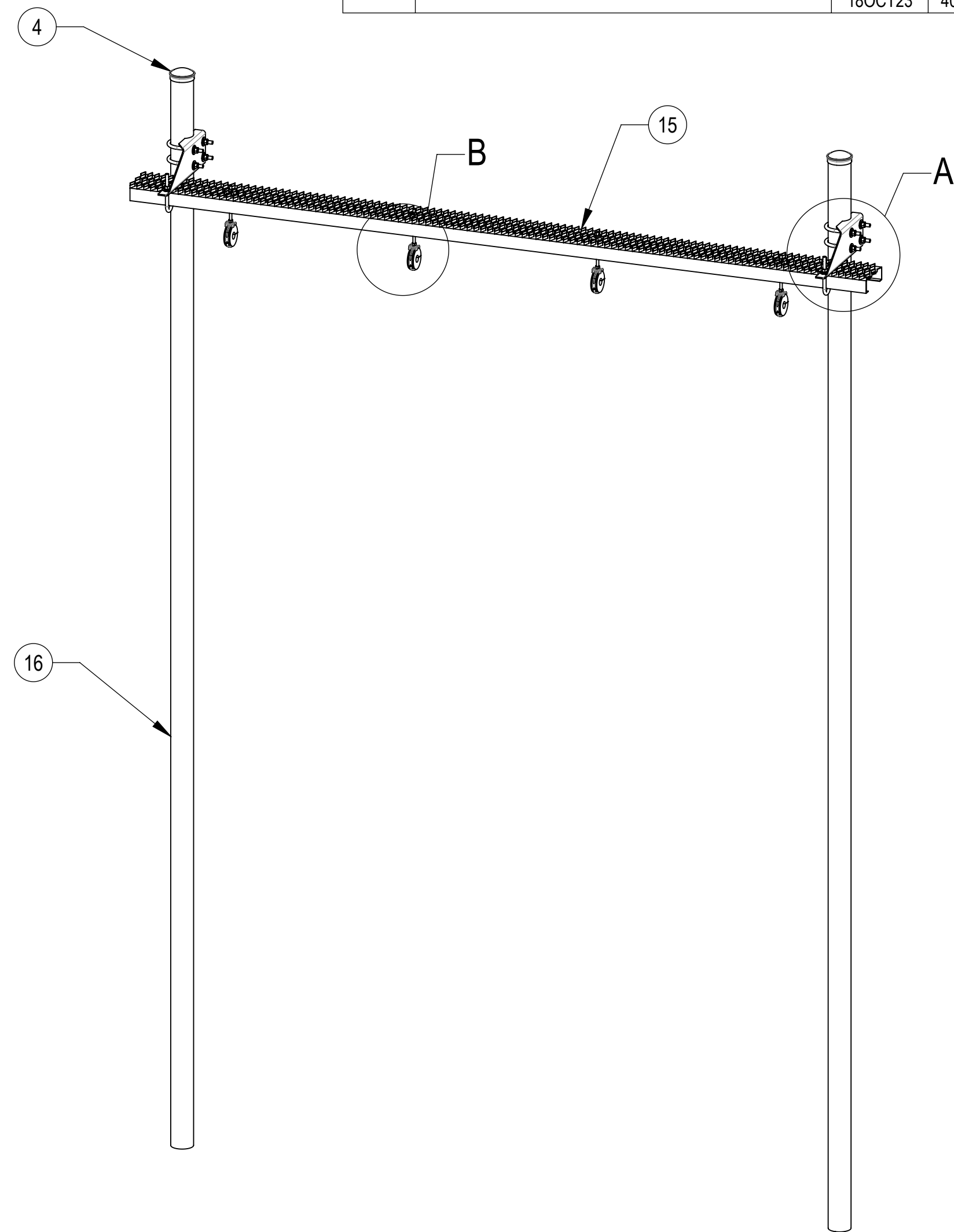


- 1.0 GENERAL NOTES
 - 1.1 ALL METRIC DIMENSIONS ARE IN BRACKETS [X.X]
 - 1.2 FOR PATENT INFO: <https://www.cs-pat.com>
- 2.0 DESIGN NOTES
- 3.0 MANUFACTURING/SPECIAL REQUIREMENTS
 - 3.1 TIGHTEN ALL BOLTS SECURING FLAT PLATES BY THE TURN-OF-NUT METHOD. TIGHTEN ALL U-BOLTS USING TURN-OF-NUT METHOD WITH ATTENTION TO LEAVE EQUAL DISTANCE AND EQUAL FORCE ON EACH LEG OF THE U-BOLT.
- 4.0 TEST
- 5.0 PACKAGING
 - 5.1 PACKAGING SHALL MEET COMMSCOPE REQUIREMENTS PER DOCUMENT IS-PL-3005
 - 5.2 PRINTED DOCUMENT TO BE PLACED INSIDE POLYBAG AND THEN IN SHIPPING CONTAINER
 - 5.3 EXTRA HARDWARE MAY BE SUPPLIED BAGGED AND SHIPPED

REVISIONS			
REV.	DESCRIPTION	DATE	APPROVED
A	INITIAL RELEASE	RY1002 18OCT23	YW1047 40181453CMO

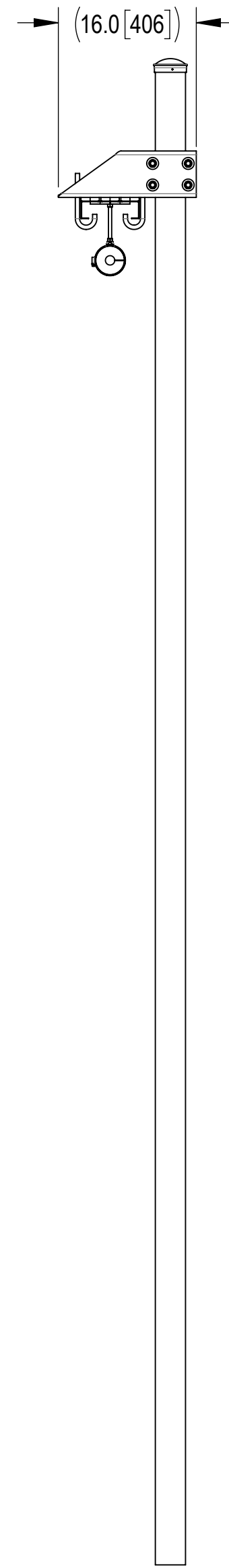
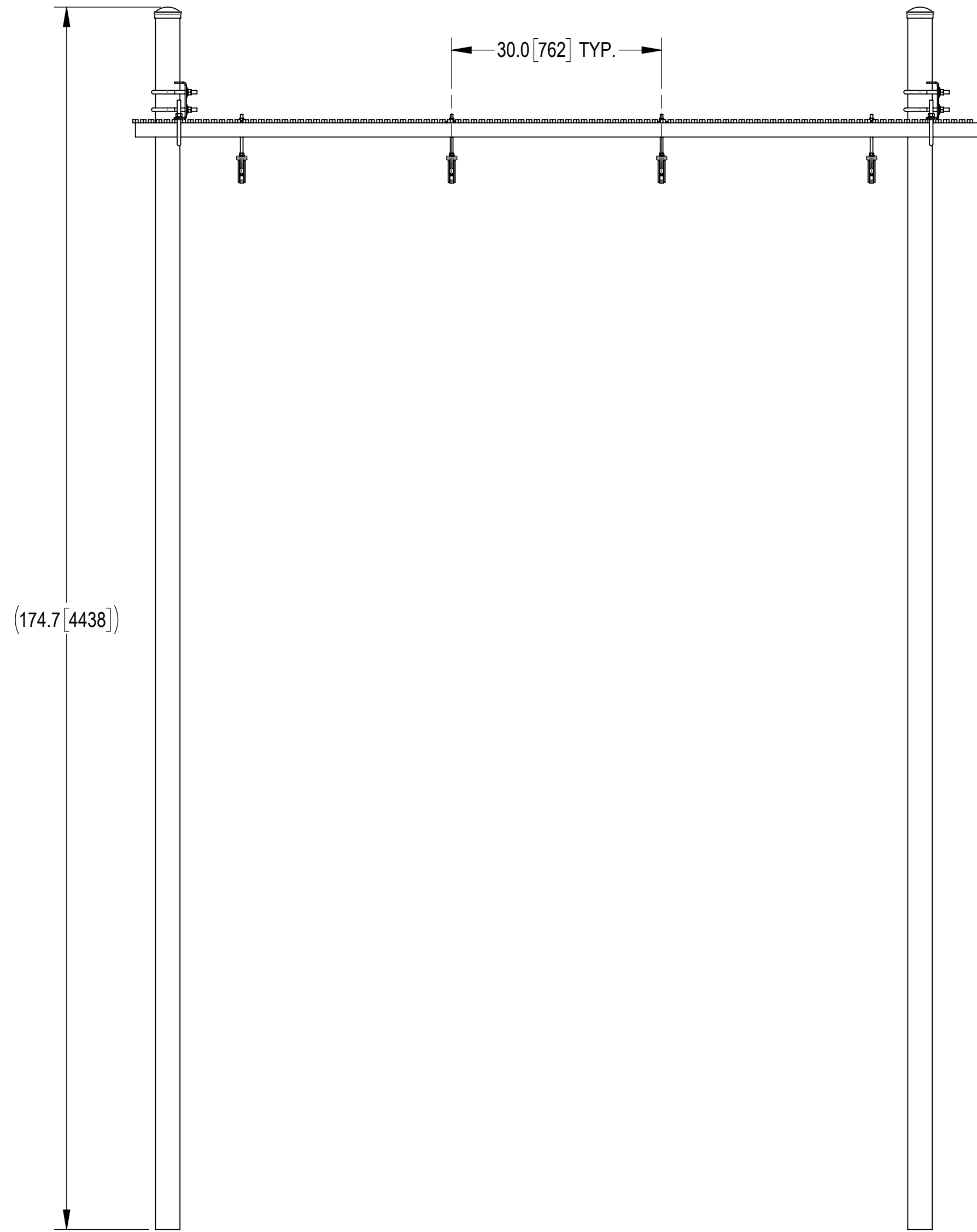
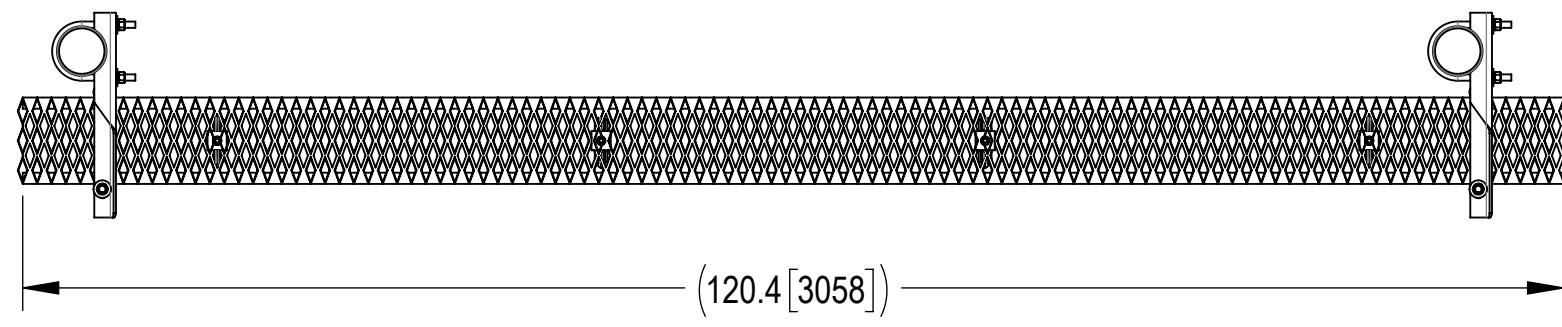



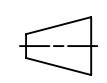
COMPONENT PART NUMBERS PROVIDED FOR ASSEMBLY PURPOSES;
INDIVIDUAL COMPONENTS MAY BE SHIPPED AS PARTS WITHIN AN INCLUDED KIT.

ITEM	PART NO.	DESCRIPTION	QTY.	WEIGHT	NOTE NO.
1	WBLB0601-00	6" WAVEGUIDE BRIDGE SUPPORT BRACKET	2	4.96 LBS	
2	GUB-4356	1/2" X 3-5/8" X 6" GALV U-BOLT	4	0.81 LBS	
3	WBJB6	1/2" J-BOLT	4	0.49 LBS	
4	PC-034	PIPE CAP 3-1/2"	2	0.66 LBS	
5	MTC9411	3/8 X 6 FULL THREAD BOLT	4	0.21 LBS	
6	MT-387	SQUARE WASHER 1-1/2"X1-1/2" W/ 7/16 HOLE	8	0.11 LBS	
7	MF39901	CLAMP HEAD	4	8.07 LBS	
8	31670-3S	ROUND MEMBER ADAPTER, 75-100MM, 1EA	4	0.07 LBS	
9	294697	CUSHION, 7/8" CABLE, 1 HOLE	4	0.25 LBS	
10	GN-04	1/2" GALV HEX NUT	4	0.04 LBS	
11	GWL-04	1/2" GALV LOCK WASHER	4	0.01 LBS	
12	GWFL-04	1/2" GALV FLAT WASHER	4	0.04 LBS	
13	GN-03	3/8" GALV HEX NUT	12	0.02 LBS	
14	GWL-03	3/8" GALV LOCK WASHER	12	0.01 LBS	
15	WB-CY0710-00	7" SAFETY GRATED WB CHANNEL	1	36.08 LBS	
16	MT547174216	PIPE, GALV, SCH 80, 3.5" OD X 174"	2	110.25 LBS	

DENSITY		lbs/in ³
MASS	278.12	lbs
VOLUME	1006.08	in ³
SURFACE AREA	12377.77	in ²
HEIGHT	174.7[4438]	
LENGTH	120.4[3058]	
WIDTH	16.0[406]	

COMMSCOPE, INC. OF NORTH CAROLINA									
TOLERANCES			SAP MATERIAL MASTER						
1 PLACE .X[X] ± 0.2[6.3]		3 PLACE .XXX[X] ± 0.060[1.5]		CSWB710-146-CH78					
2 PLACE .XX[X] ± 0.12[3.0]		ANGLES ± 2°							
FINISH			MATERIAL						
UNLESS OTHERWISE SPECIFIED DIMENSIONS ARE IN INCHES INTERPRET PER ANSI Y 14.5M-1994	NAME	DATE	TITLE						
	CE RY1002	23OCT23	7"X10', 14'6" LEGS, 7/8" CABLE						
	RW RY1002	11/13/2023							
	AD YW1047	11/16/2023							
	RE YMENG	11/16/2023							
ECN 40181453CMO			SCALE	DOCUMENT NO.					
			1:17	CSWB710-146-CH78					
SIZE	Auth Group	INSL	MODEL		DRAWING				
C			VERSION	STATUS	REVISION	VERSION	STATUS	REVISION	SHEET 1 OF 2
			00	RE	A	00	RE	A	



COMMSCOPE, INC. OF NORTH CAROLINA				
TITLE 7"X10', 14'6" LEGS, 7/8" CABLE				
SIZE C	SCALE 1:15	DOCUMENT NO. CSWB710-146-CH78		
 		DRAWING		SHEET
		VERSION 00	STATUS RE	REVISION A

© 2023 CommScope, Inc. Confidential