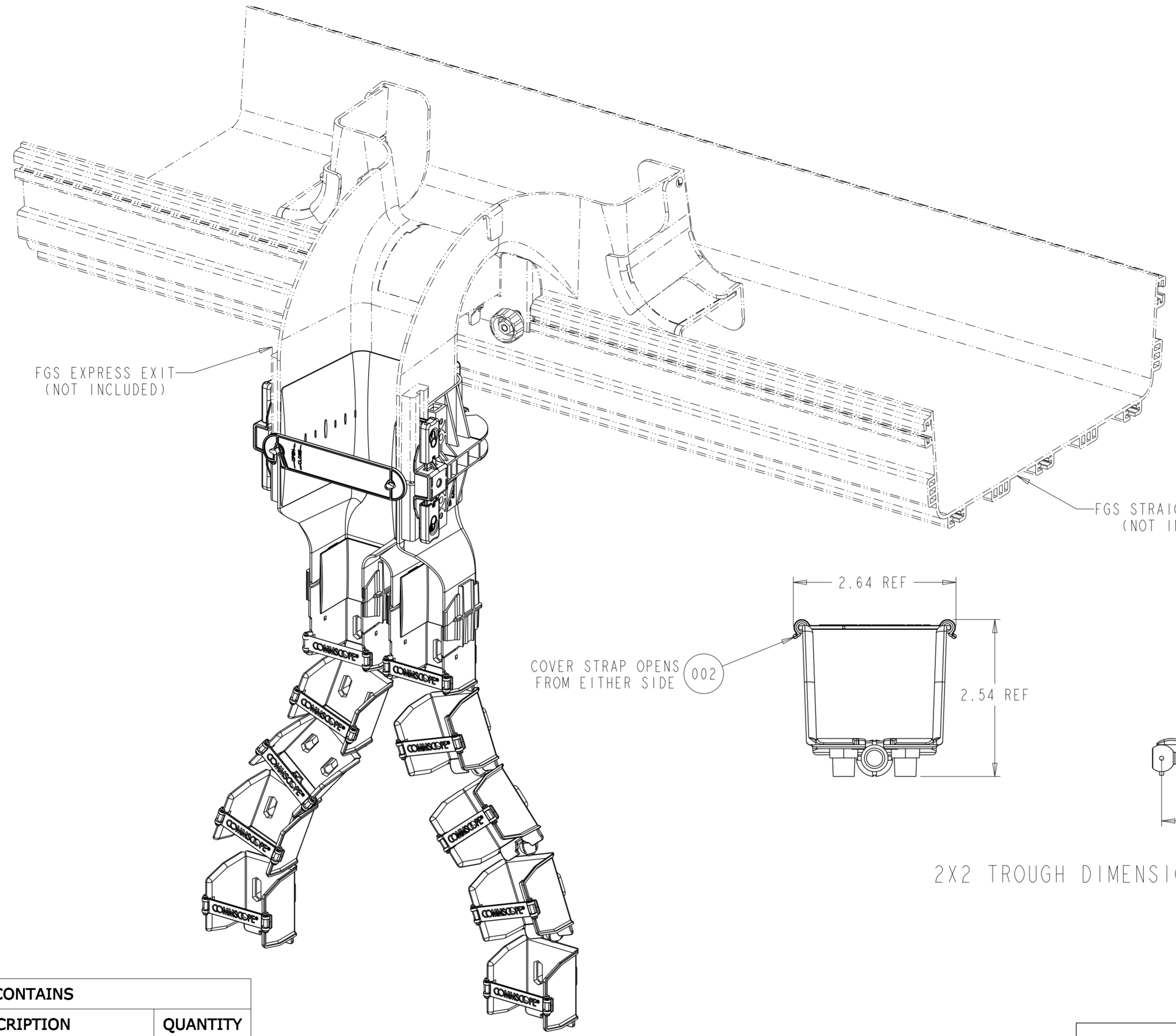


REVISIONS			
REV	CMO	DATE	APPROVED
D	40079640CMO	28-DEC-2018	ODVL
E	40171866CMO	23-AUG-2023	MAM



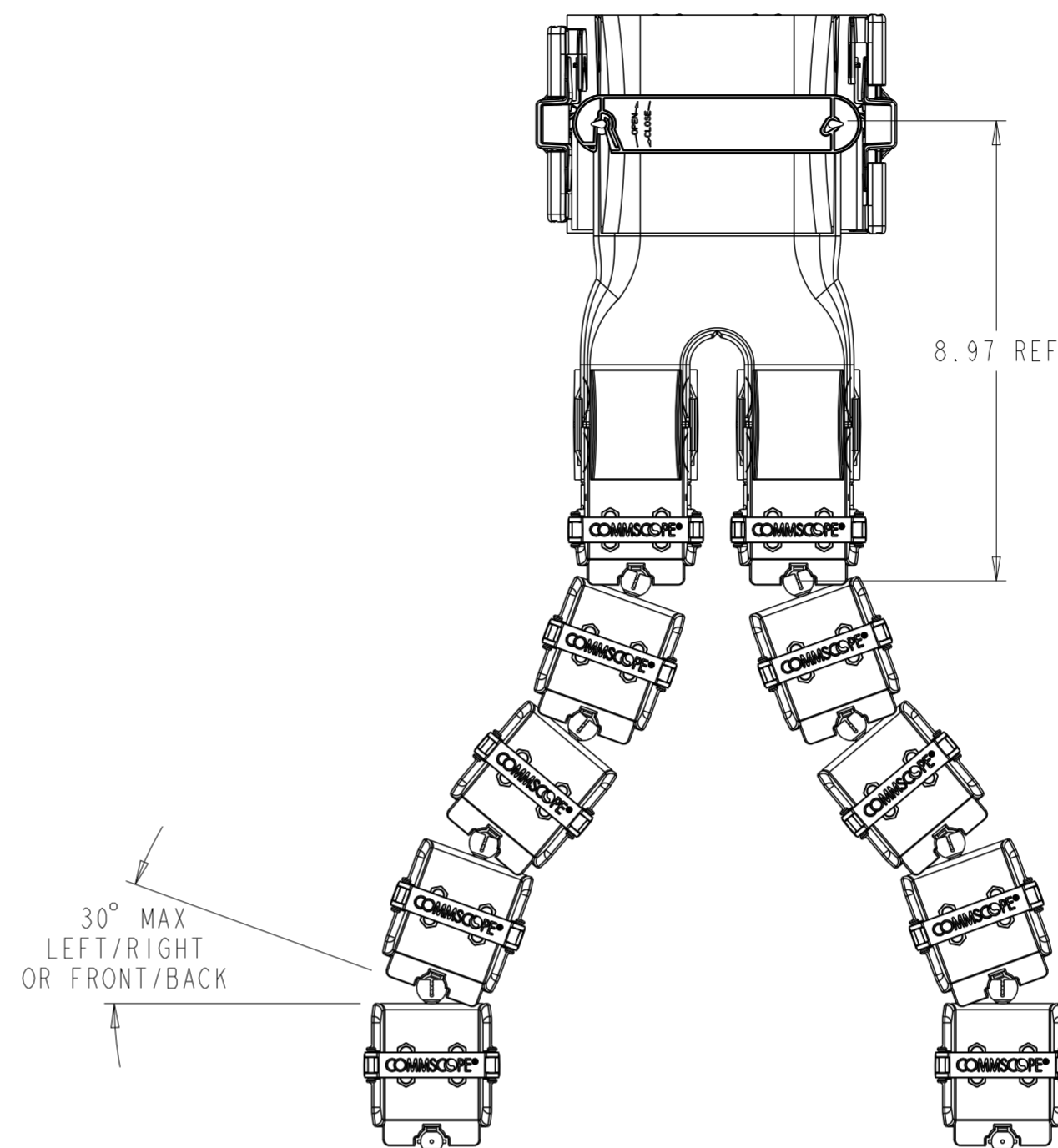
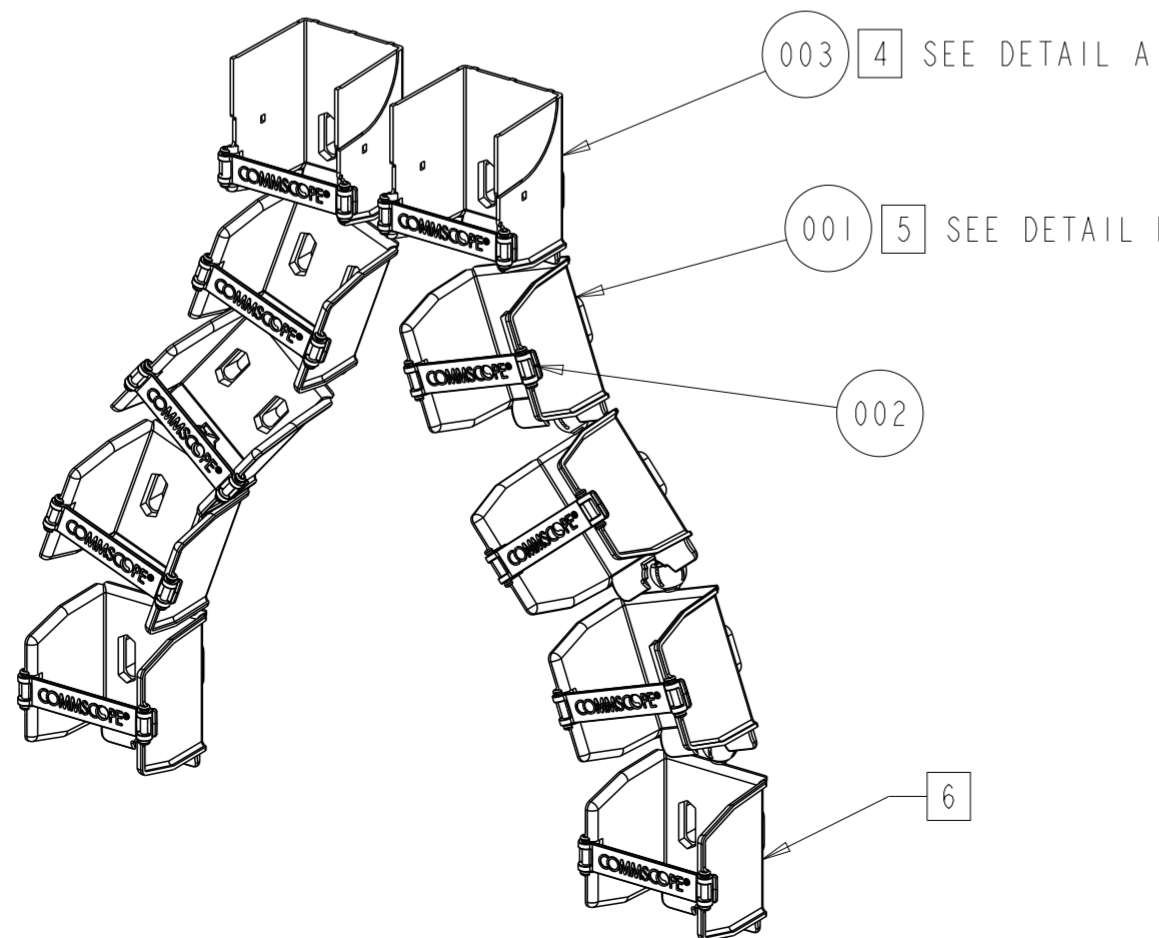
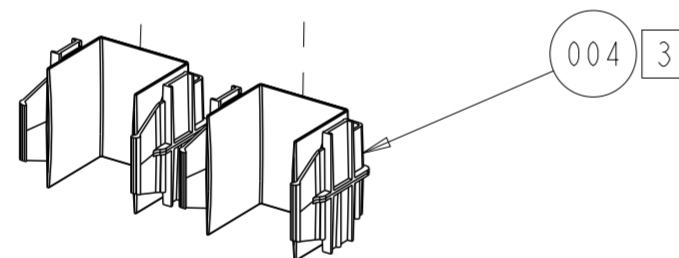
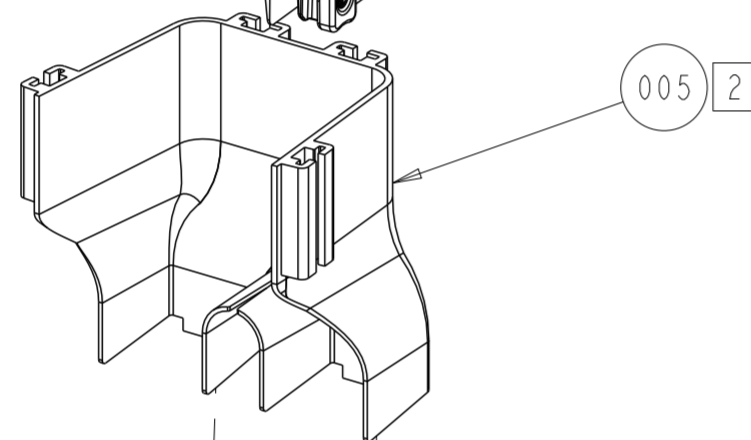
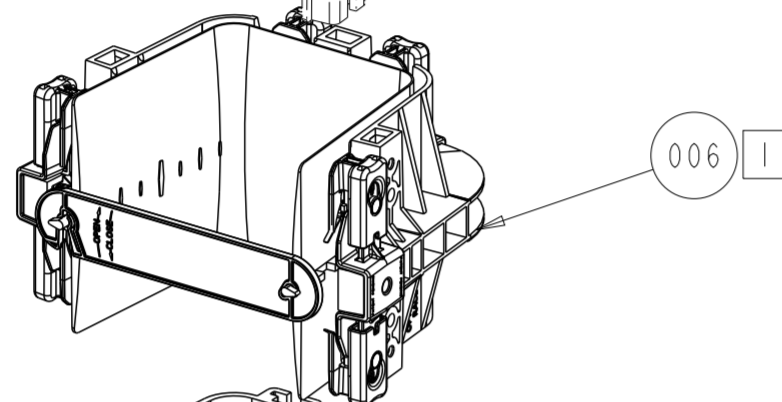
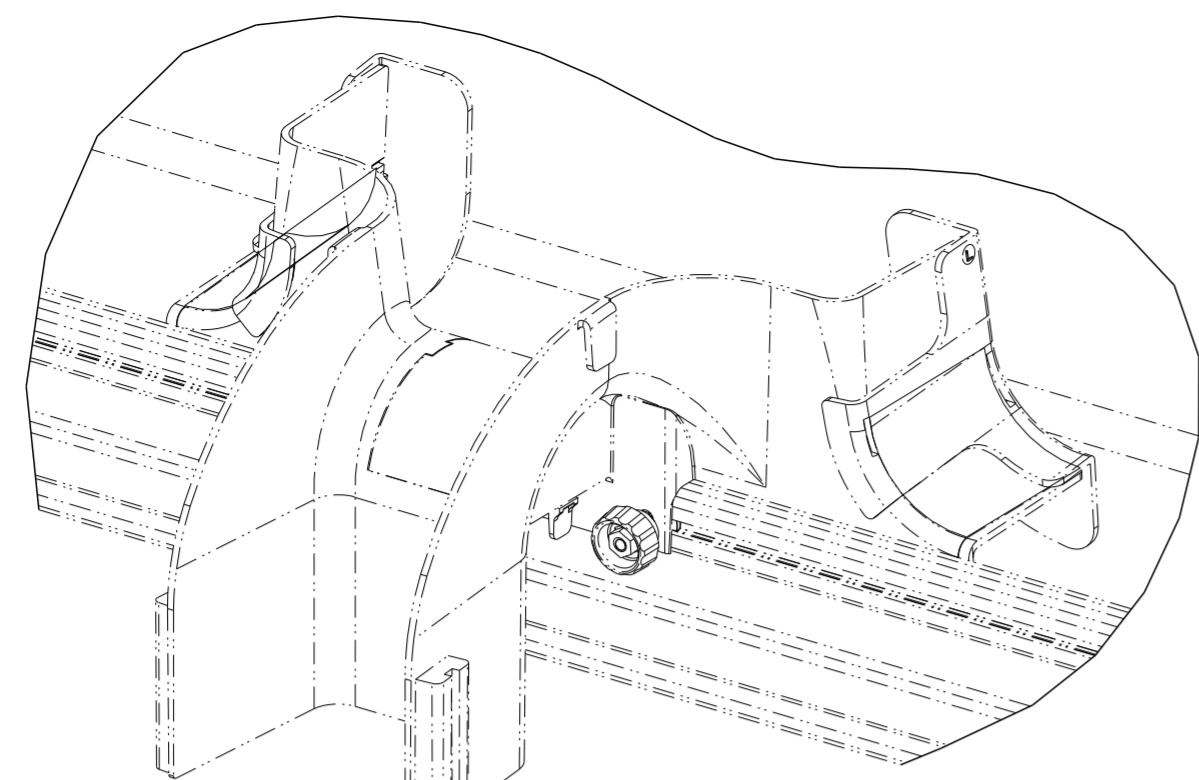
2X2 TROUGH DIMENSIONS

KIT CONTAINS		
ITEM	DESCRIPTION	QUANTITY
001	TROUGH, 2X2	32 (8 FT)
002	STRAP, TROUGH	36
003	TROUGH, UNIV, 2X2	2
004	JUNCTION, 2X2	2
005	ADPTR, 4X4 TO DUAL 2X2	1
006	JUNCTION, 4X4	1
100	SCREW, PAN HEAD, #12-24 X .75	8
101	SCREW, HEX HEAD, #12-24 X .75	8
102	WASHER, FLAT, #12	8
103	NUT, #12-24	8

FGSB-FLEXV-4F-A2C	BLACK
FGS-FLEXV-4F-A2C	YELLOW
<b>CATALOG NUMBER</b>	<b>COLOR</b>

COMMSCOPE, INC.										
TOLERANCES					SAP MATERIAL MASTER					
N/A										
FINISH					MATERIAL					
N/A					SEE BOM					
SYMBOLY AGREES WITH ASME Y14.5M - 2009. ALL SHEETS ARE THE SAME REVISION AND STATUS.	DRAFTER			TITLE						
	OSCAR VALENZUELA			INSTL, KIT, 4FT, 4X4 TO DUAL 2X2, FLEXV						
	CHECKER			SIZE			SCALE			DOCUMENT NO.
	MIGUEL MUÑOZ			A2			0.350			300100115179
ENGINEER			CMO							
RUBEN ARVILLA			40171866CMO							
ALL SURFACES		WORK AREA: ISPF		MODEL		DRAWING		SHEET		
✓		[Symbol]		VERSION		STATUS		REVISION		
				02		RE		E		

© 2024 CommScope, Inc. Confidential  
 NOTICE: These drawings and specifications are the proprietary property of COMMSCOPE, INC. and may be used only for the specific purpose authorized in writing by COMMSCOPE, INC.

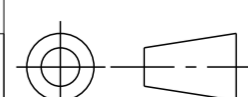


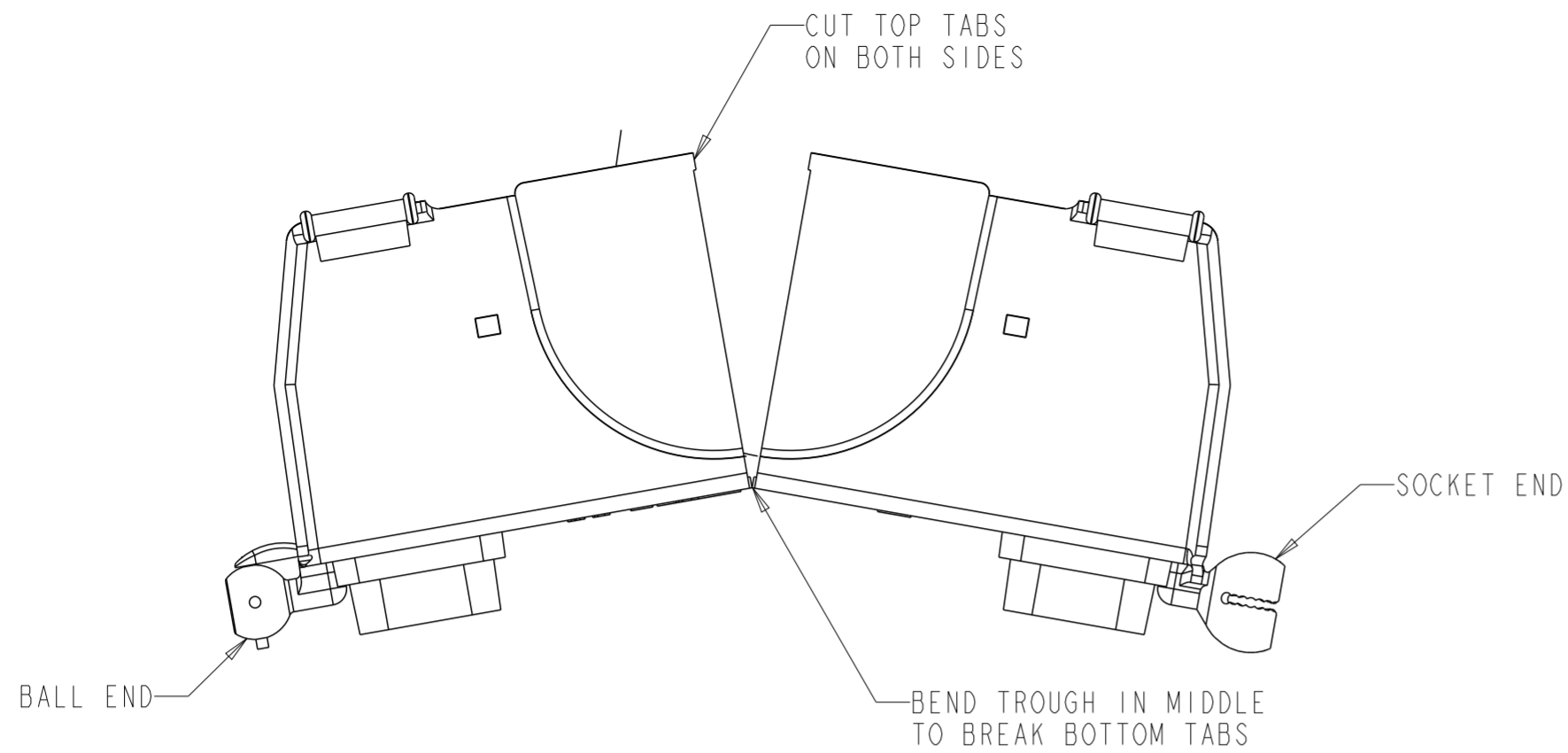
**INSTALLATION INSTRUCTIONS:**

- 1 ASSEMBLE ITEM 006 (4X4 JUNCTION) TO EXISTING 4X4 FITTING.
- 2 ASSEMBLE ITEM 005 (4X4 TO DUAL 2X2 ADAPTER) TO ITEM 006.
- 3 ASSEMBLE ITEM 004 (2X2 JUNCTIONS) TO ITEM 005.
- 4 ASSEMBLE BALL HALF OF ITEM 003 (2X2 UNIV TROUGH) TO ITEM 004. SEE DETAIL A, SHEET 3.
- 5 ASSEMBLE SECTIONS OF ITEM 001 (2X2 TROUGH) TO ACHIEVE REQUIRED LENGTH. SEE DETAIL B, SHEET 3.
- 6 SELECT TROUGH END PIECE REQUIRED AND ATTACH TO TROUGH ASSEMBLY, SEE DETAIL C, SHEET 3.
7. ATTACH TROUGH END PIECE TO FRAME OR BRACKET USING HARDWARE PROVIDED, SEE DETAIL D, SHEET 3.

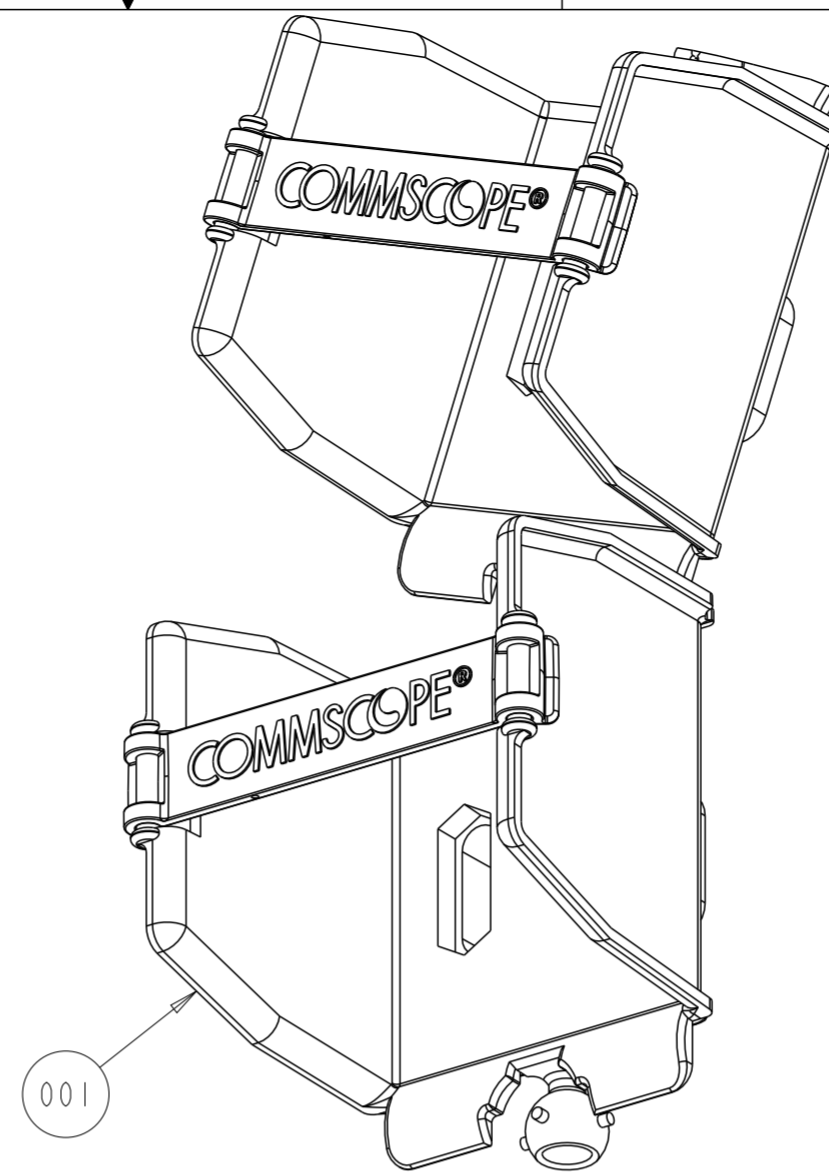
<b>COMMSCOPE, INC.</b>			
TITLE			
INSTL, KIT, 4FT, 4X4 TO DUAL 2X2, FLEXV			
SIZE	SCALE	DOCUMENT NO.	
A 2	0.320	<b>300100115179</b>	
DRAWING			SHEET
VERSION	STATUS	REVISION	2 OF 3
02	RE	E	

© 2024 CommScope, Inc. Confidential  
 NOTICE: These drawings and specifications are the proprietary property of COMMSCOPE, INC. and may be used only for the specific purpose authorized in writing by COMMSCOPE, INC.

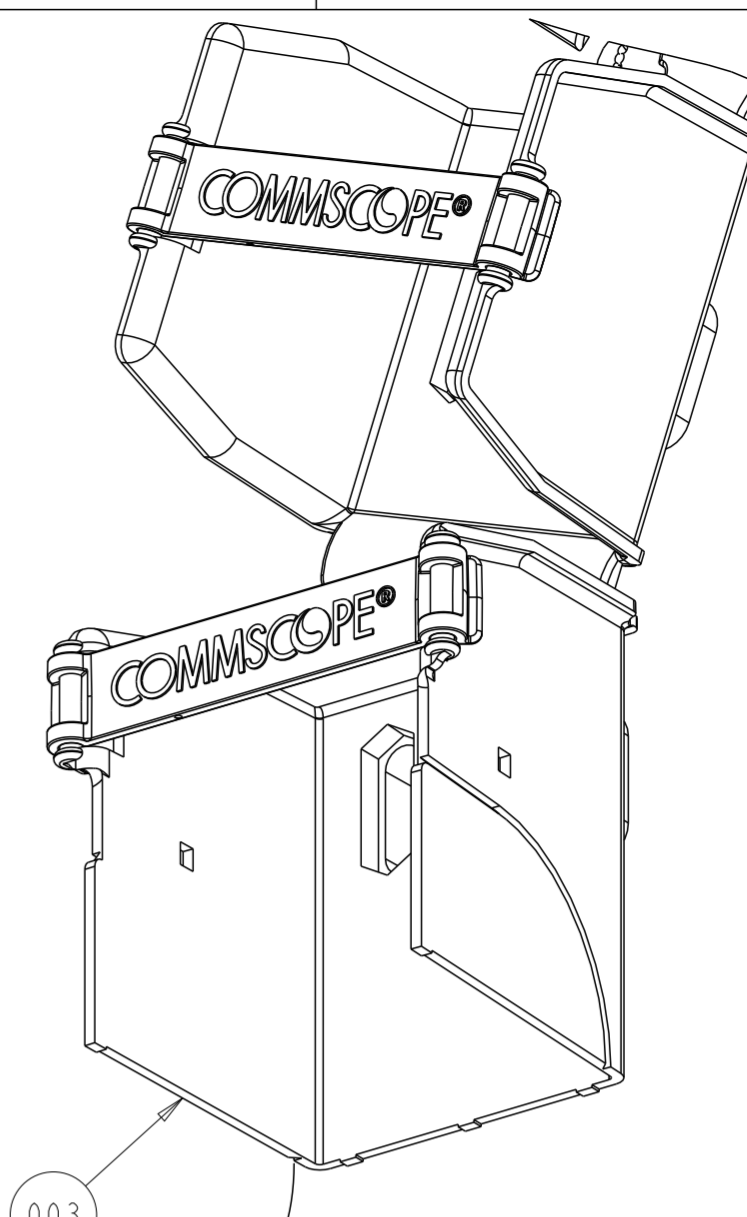




DETAIL A  
UNIVERSAL TOUGH SPLIT

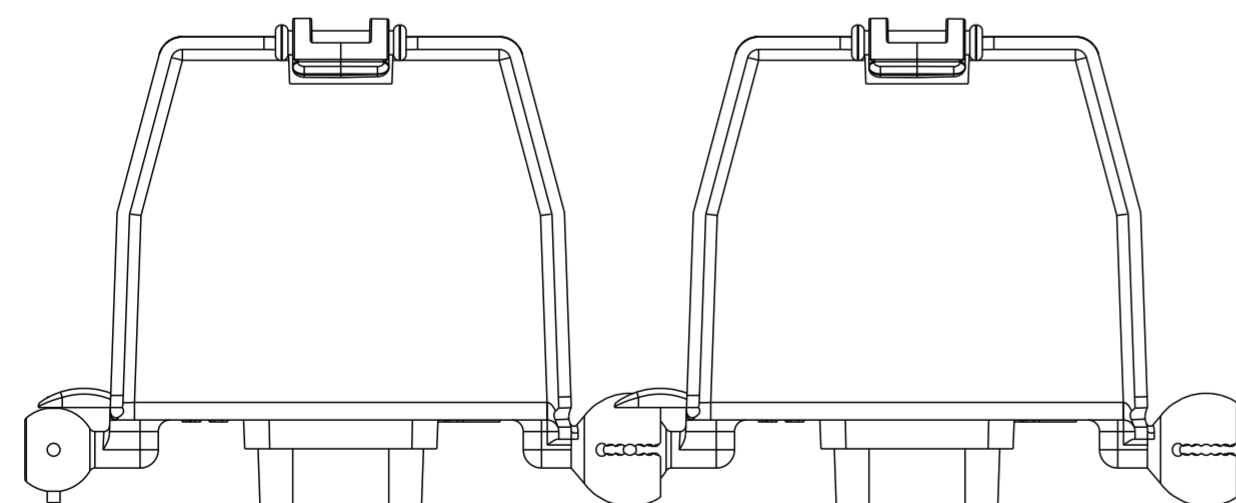
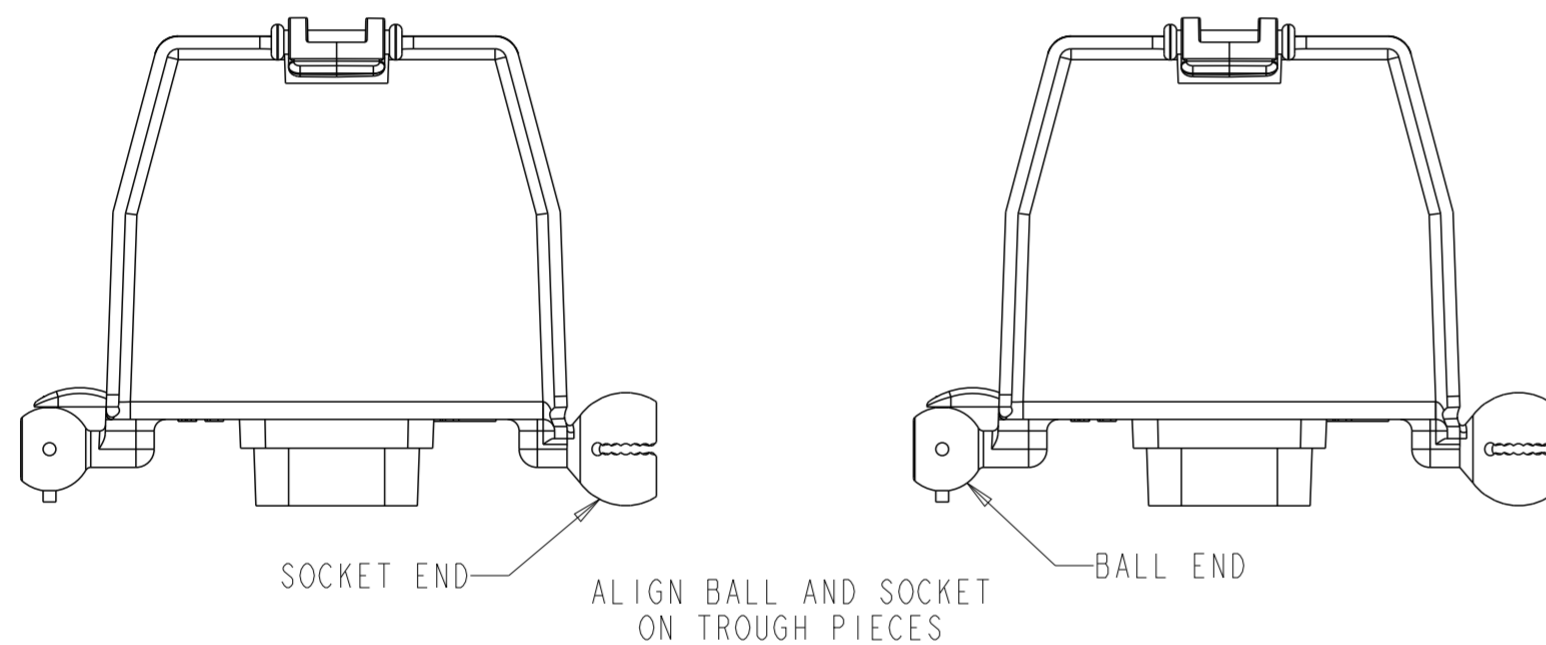


OPTION 1  
2X2 TROUGH  
(USED IF CONNECTING TO  
FLEX VERTICAL TROUGH KIT)



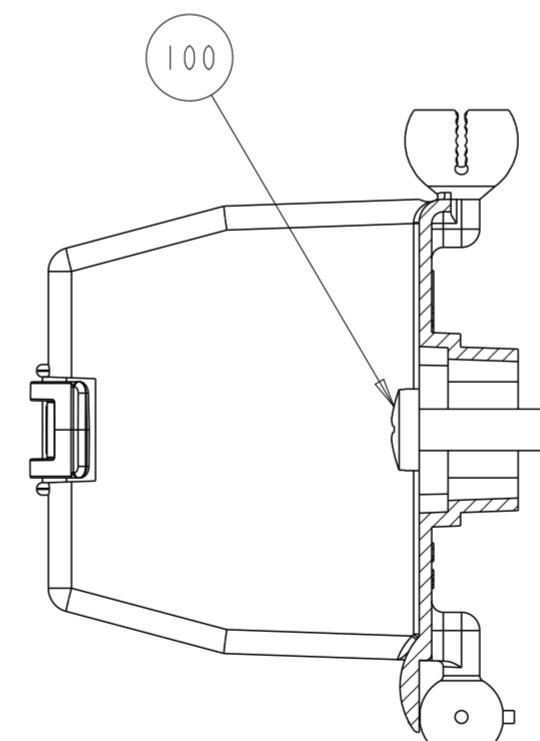
SEE DETAIL A 003

OPTION 2  
2X2 UNIVERSAL TROUGH - SOCKET END  
(USED IF CONNECTING TO 2X2 SOLID  
OR 2X2 SLOTTED VERTICAL DUCT,  
FOR USE WITH 2X2 JUNCTION)

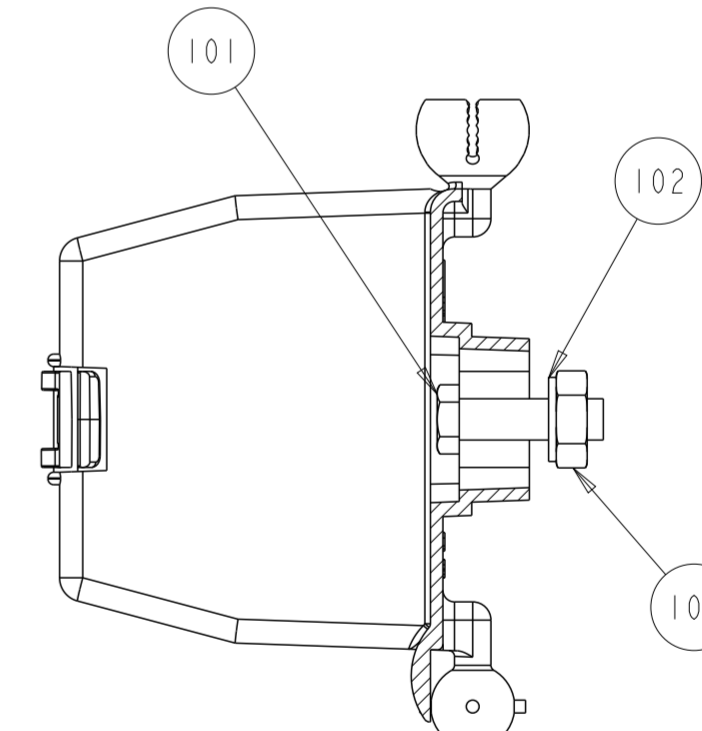


DETAIL B  
TROUGH ASSEMBLY

DETAIL C  
TROUGH END OPTIONS



OPTION 1  
(IF ATTACHING TO BRACKET  
WITH #12-24 THREADED HOLE)



OPTION 2  
(IF ATTACHING TO BRACKET  
WITH CLEARANCE HOLE)

DETAIL D  
HARDWARE INSTALLATION

<b>COMMSCOPE, INC.</b>			
TITLE			
INSTL, KIT, 4FT, 4X4 TO DUAL 2X2, FLEXV			
SIZE	SCALE	DOCUMENT NO.	
A2	1.000	<b>300100115179</b>	
DRAWING			SHEET
VERSION	STATUS	REVISION	3 OF 3
02	RE	E	

© 2024 CommScope, Inc. Confidential

NOTICE: These drawings and specifications are the proprietary property of COMMSCOPE, INC. and may be used only for the specific purpose authorized in writing by COMMSCOPE, INC.

