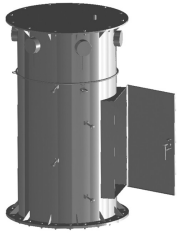


# WT-SPM14-B

---



Stackable Pod Mount Assembly, 3-sector platform, 14 ft face; plain end pipe not included

## Product Classification

**Product Type** Water tower mount

## General Specifications

**Mounting** Hatch plate

**Pipe, quantity** 0

**Sectors, quantity** 3

## Dimensions

**Height** 2,133.6 mm | 84 in

**Face Width** 4.42 m | 14.5 ft

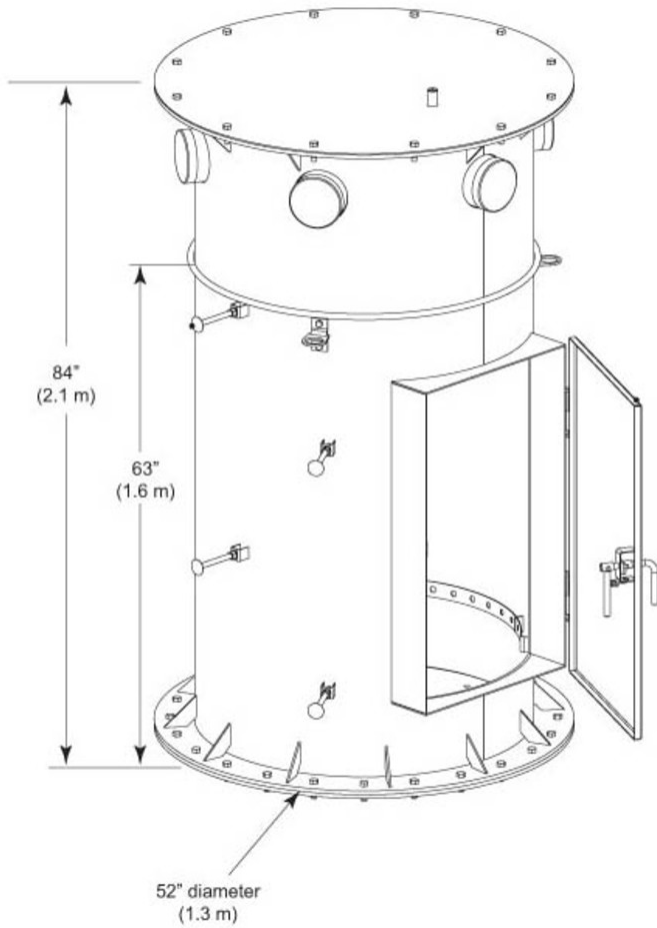
**Width** 4,419.6 mm | 174 in

**Length** 4,419.6 mm | 174 in

**Compatible Diameter** 1,219.2 mm | 48 in

# WT-SPM14-B

## Outline Drawing



## Material Specifications

**Material Type** Hot dip galvanized steel

## Packaging and Weights

**Included** Mount | Platform

**Packaging quantity** 1

**Weight, net** 1,199.979 kg | 2,645.5 lb

## Regulatory Compliance/Certifications

**Agency** **Classification**

# WT-SPM14-B

---

ISO 9001:2015

Designed, manufactured and/or distributed under this quality management system



## Included Products

- MC-RM3060-3                    -    Universal Ring Mount, 30 in to 60 in OD
- MT-196                            -    Low Profile Co-location Base Platform, 12 ft face. Ring Mount & Antenna Pipes Sold Separately.
- WT-SPM-B                        -    Stackable Pod Mount Assembly, platform and plain end pipe not included