

4

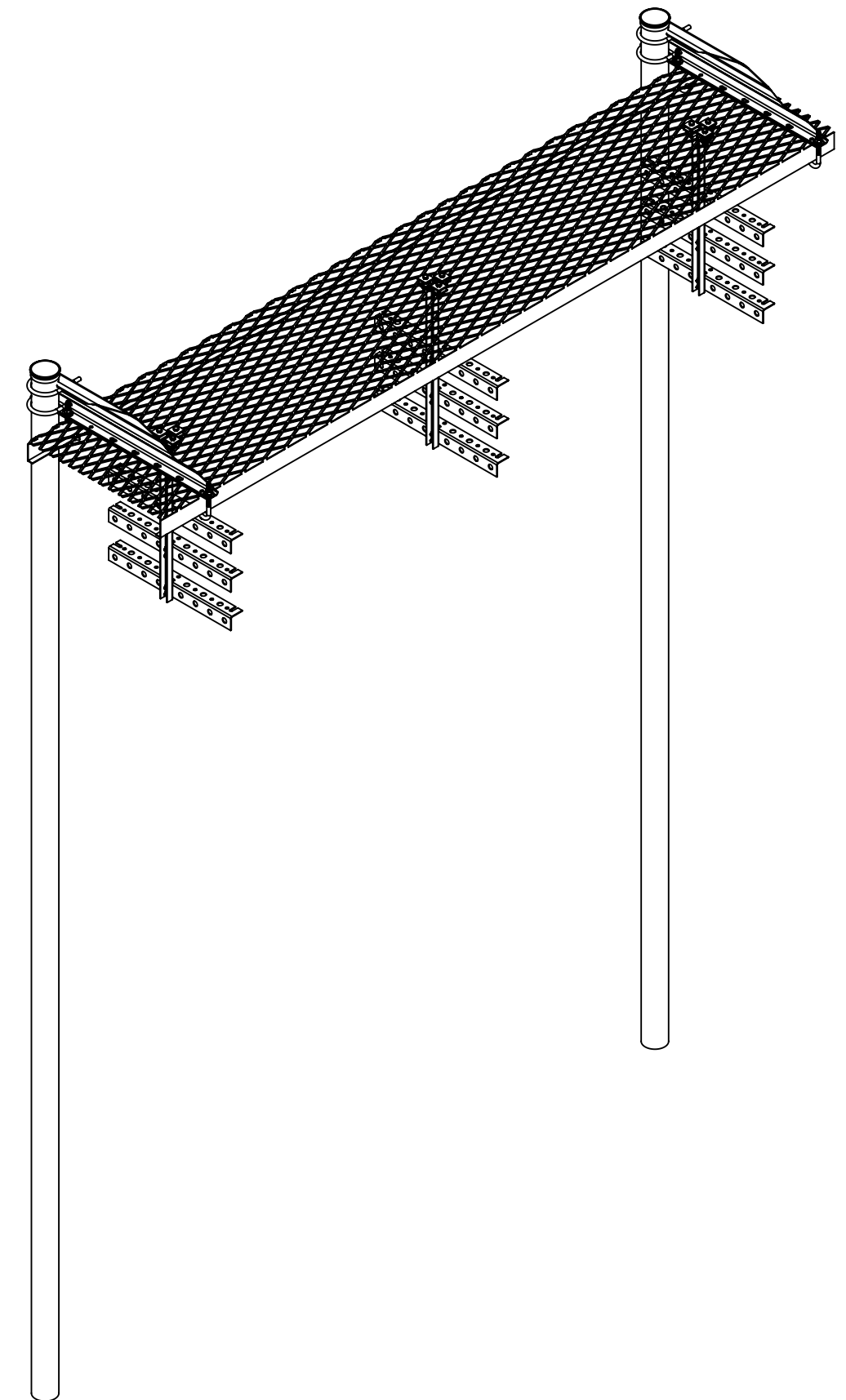
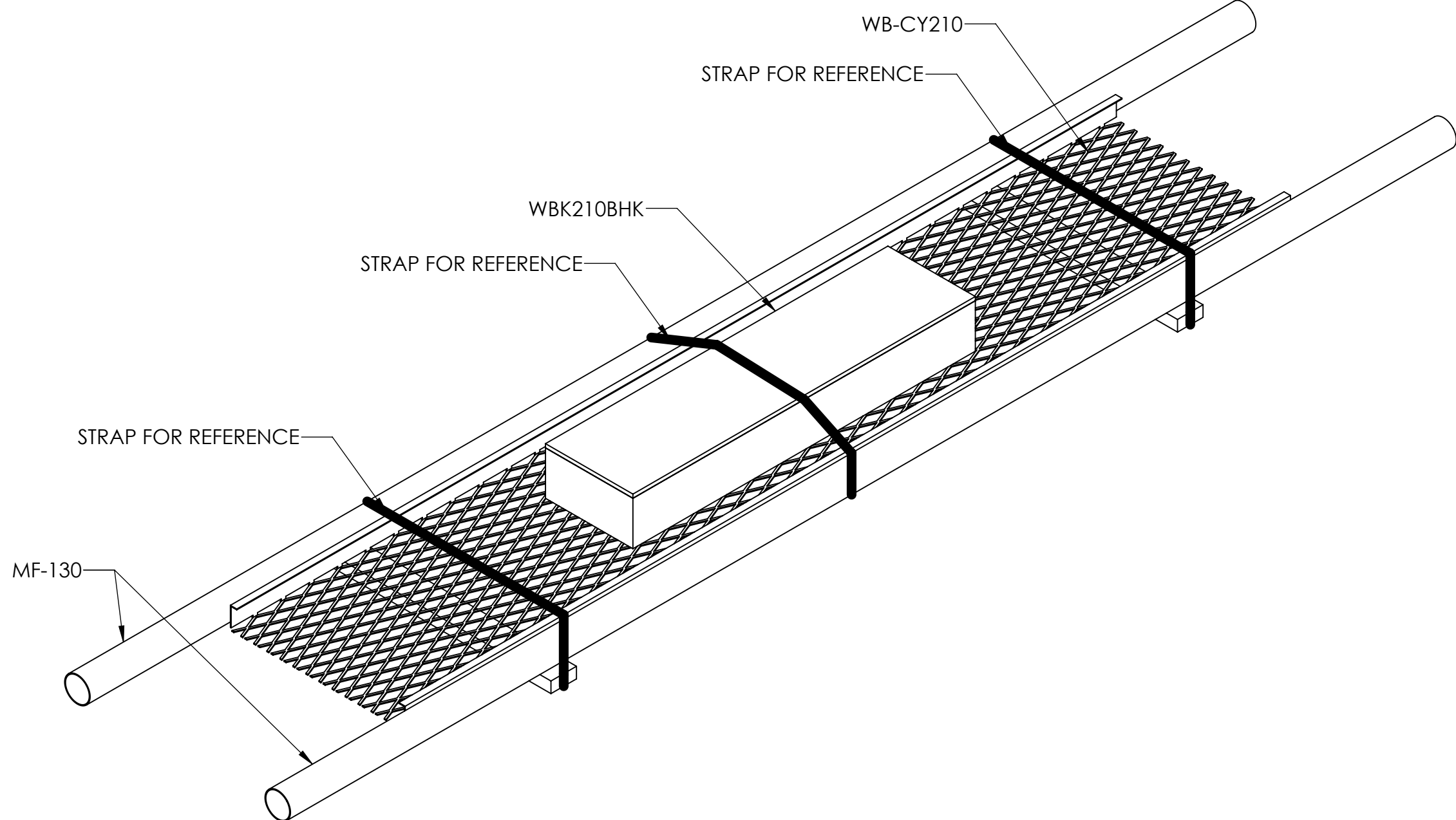
3

2

1

- 1.0 GENERAL NOTES
 - 1.1 ALL METRIC DIMENSIONS ARE IN BRACKETS [X.X]
 - 1.2 FOR PATENT INFO: <https://www.cs-pat.com>
- 2.0 DESIGN NOTES
- 3.0 MANUFACTURING/SPECIAL REQUIREMENTS
 - 3.1 TIGHTEN ALL BOLTS SECURING FLAT PLATES BY THE TURN-OF-NUT METHOD. TIGHTEN ALL U-BOLTS USING TURN-OF-NUT METHOD WITH ATTENTION TO LEAVE EQUAL DISTANCE AND EQUAL FORCE ON EACH LEG OF THE U-BOLT.
- 4.0 TEST
- 5.0 PACKAGING
 - 5.1 PACKAGING SHALL MEET COMMSCOPE REQUIREMENTS PER DOCUMENT IS-PL-3005
 - 5.2 PRINTED DOCUMENT TO BE PLACED INSIDE POLYBAG AND THEN IN SHIPPING CONTAINER
 - 5.3 EXTRA HARDWARE MAYBE SUPPLIED BAGGED AND SHIPPED

REVISIONS			
REV.	DESCRIPTION	DATE	APPROVED
C	UPDATE TRAPEZE BOM	ACG 05/14/04	
D	UPDATE TRAPEZE BOM	ACG 07/01/04	
E	REDRAWN IN SOLIDWORKS	AW 05/20/05	
F	UPDATE WB-LB24-3	ACG 01/29/08	
G	UPDATED DRAWING TO NEW FORMAT, UPDATED DIM	RY1002 07JUL23	BCROSS 40174944CMO



COMMSCOPE, INC. OF NORTH CAROLINA										
TOLERANCES					SAP MATERIAL MASTER					
1 PLACE .X[X] ± 0.12[3.0]		3 PLACE .XXX[X] ± 0.030[0.8]			WB-K210-B					
2 PLACE .XX[X] ± 0.06[1.5]		ANGLES ± 2°								
FINISH					MATERIAL					
WAVEGUIDE BRIDGE KIT										
UNLESS OTHERWISE SPECIFIED DIMENSIONS ARE IN INCHES INTERPRET PER ANSI Y 14.5M-1994		NAME	DATE	TITLE						
CE	ACG		01/29/08	WB-K210-B						
RW	RY1002		07/19/2023							
AD	YMENG		07/31/2023							
RE	RY1002		07/31/2023							
ECN	40174944CMO									
SCALE		DOCUMENT NO.								
1:12		WB-K210-B								
SIZE	Auth Group	INSL	MODEL			DRAWING				SHEET
C			VERSION	STATUS	REVISION	VERSION	STATUS	REVISION	1 OF 2	
			00	RE	A	01	RE	G		

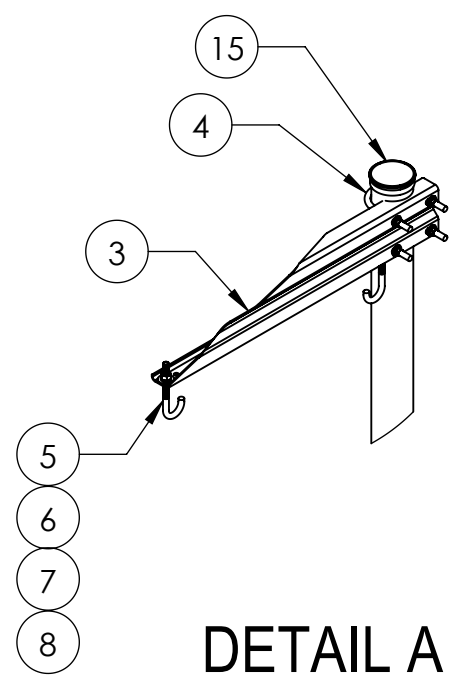
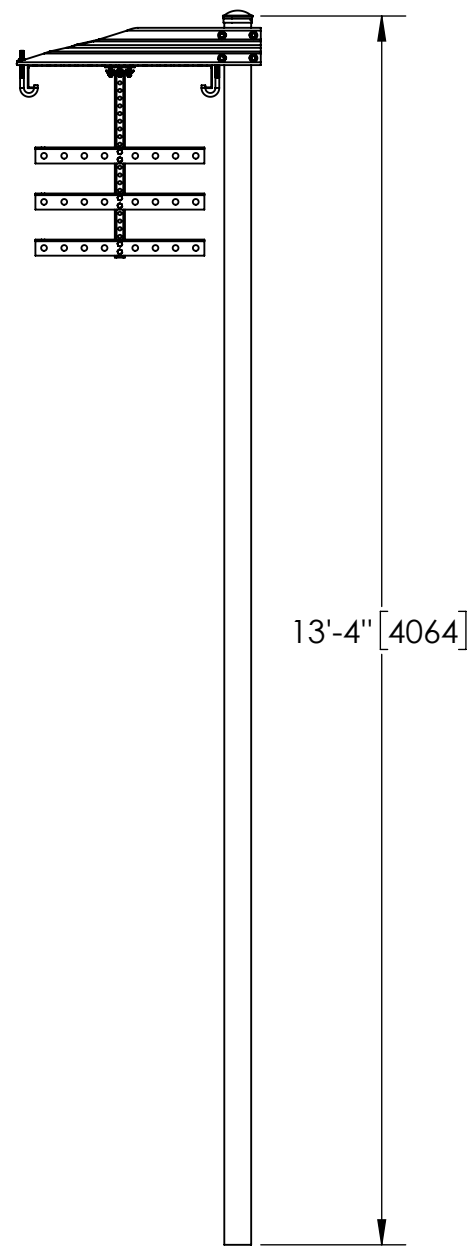
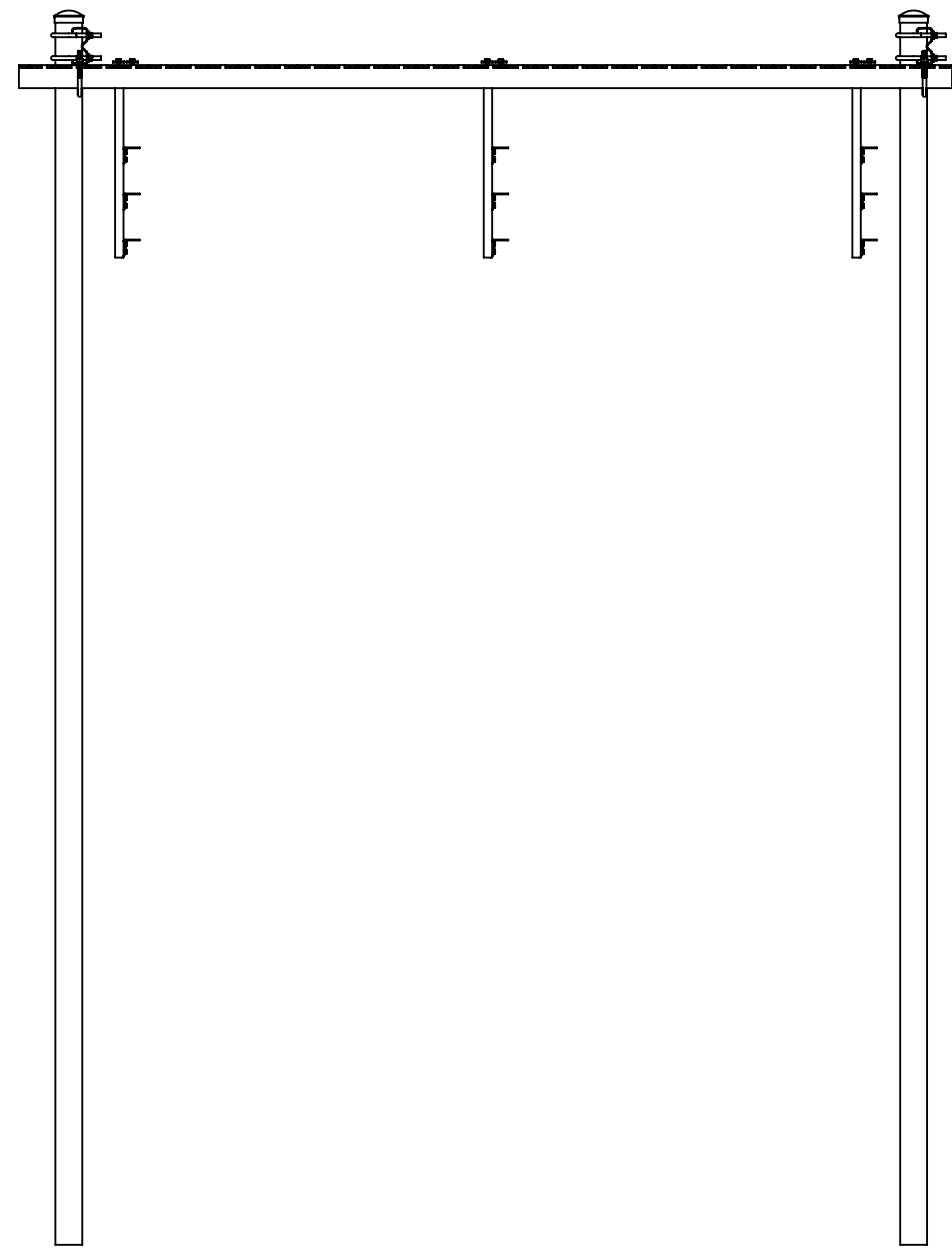
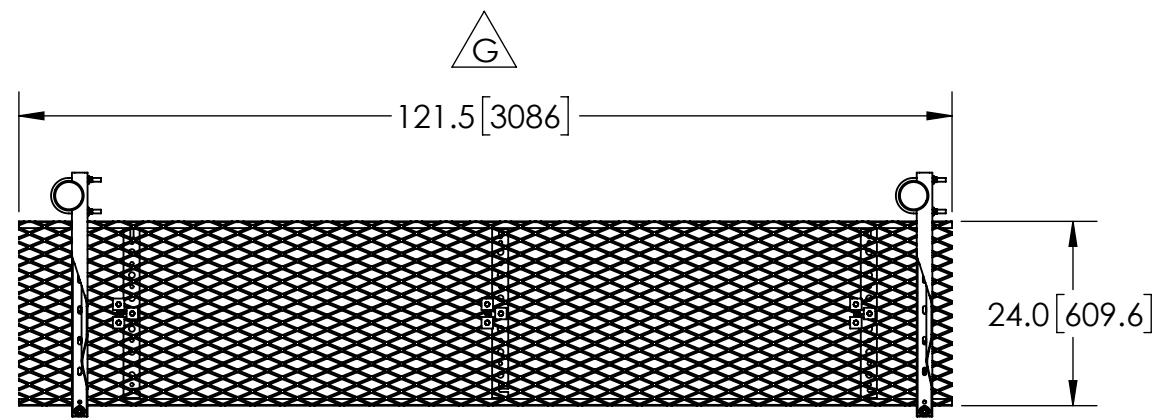
DENSITY		lbs/in³
MASS	227.50	lbs
VOLUME	1967.35	in³
SURFACE AREA	17968.29	in²
HEIGHT	160.7[4082.2]	
LENGTH	121.5[3086.1]	
WIDTH	31.8[807.2]	

4

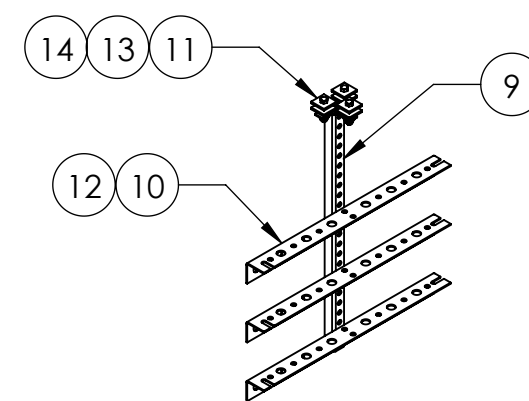
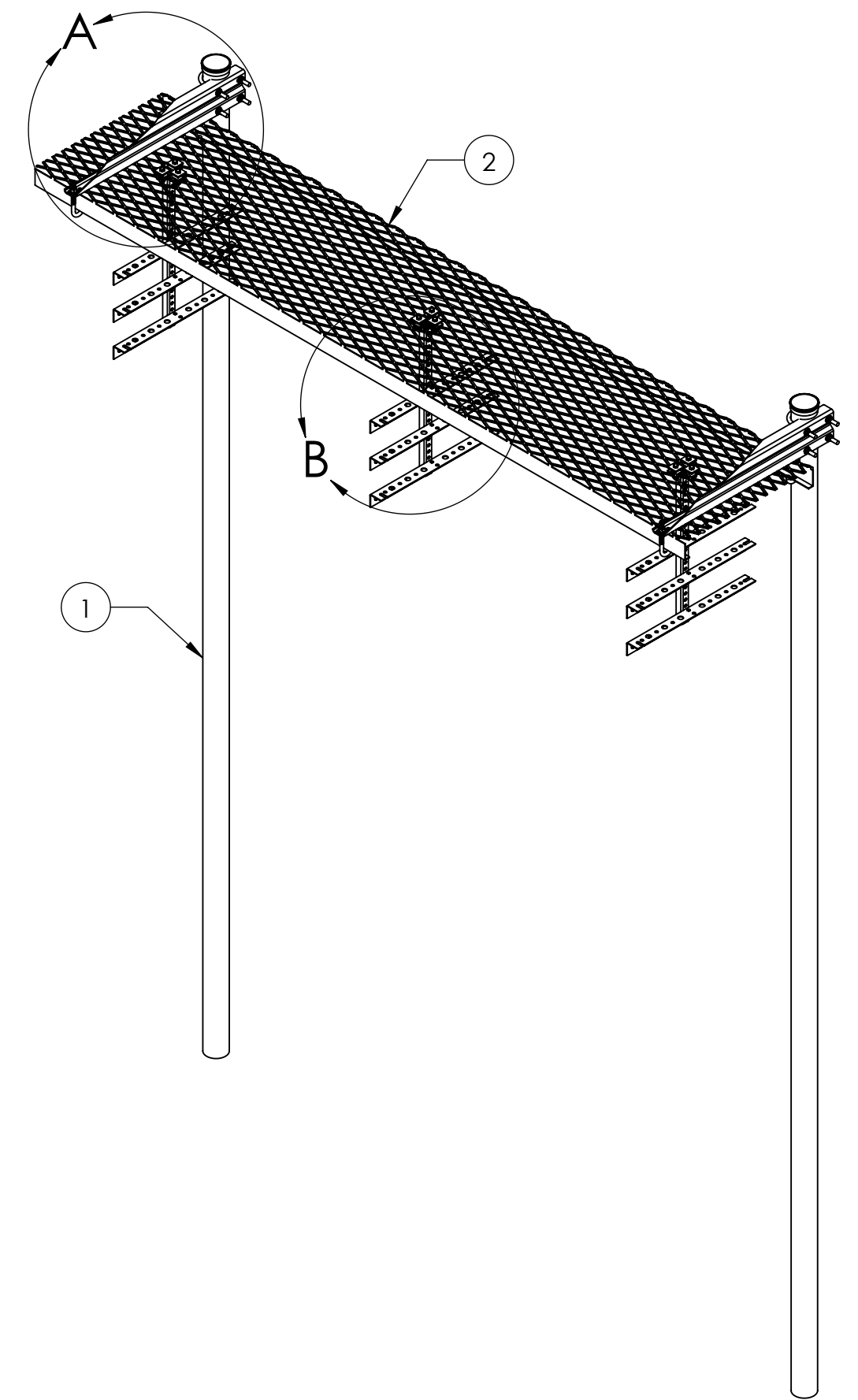
3

2

1



DETAIL A
SCALE 1 : 16



DETAIL B
SCALE 1 : 16

COMPONENT PART NUMBERS PROVIDED FOR ASSEMBLY PURPOSES;
INDIVIDUAL COMPONENTS MAY BE SHIPPED AS PARTS WITHIN AN INCLUDED KIT

ITEM	PART NO.	DESCRIPTION	QTY.	WEIGHT	NOTE NO.
1	MF-130	3.5" O.D. X 13'-4" DIRECT BURIAL PIPE COLUMN	2	57.97 LBS	
2	WB-CY210	SAFETY GRATED WAVEGUIDE BRIDGE CHANNEL	1	49.84 LBS	
3	WBLB24308	24" WAVEGUIDE BRIDGE SUPPORT BRACKET	2	7.14 LBS	
4	GUB-4356	1/2" X 3-5/8" X 6" GALV U-BOLT	4	0.81 LBS	
5	WBJB6	1/2" J-BOLT	4	0.41 LBS	
6	GWF-04	1/2" GALV FLAT WASHER	4	0.04 LBS	
7	GWL-04	1/2" GALV LOCK WASHER	4	0.01 LBS	
8	GN-04	1/2" GALV HEX NUT	4	0.04 LBS	
9	WBT243.01	VERTICAL TRAPEZE SECTION	3	2.53 LBS	
10	WBT24302	HORIZONTAL TRAPEZE SECTION	9	2.68 LBS	
11	MT-387	SQUARE WASHER 1-1/2"X1-1/2" W/ 7/16 HOLE	18	0.11 LBS	
12	GB-03105	3/8" X 1" GALV BOLT KIT	18	0.05 LBS	
13	GB-03205	3/8" X 2" GALV BOLT KIT	9	0.08 LBS	
14	GWF-03	3/8" GALV FLAT WASHER	9	0.01 LBS	
15	PC-034	PIPE CAP 3-1/2"	2	0.66 LBS	

COMMSCOPE, INC. OF NORTH CAROLINA				
TITLE WAVEGUIDE BRIDGE KIT				
SIZE C	SCALE 1:20	DOCUMENT NO. WB-K210-B		
DRAWING		VERSION	STATUS	REVISION
		01	RE	G
				SHEET 2 OF 2