

4

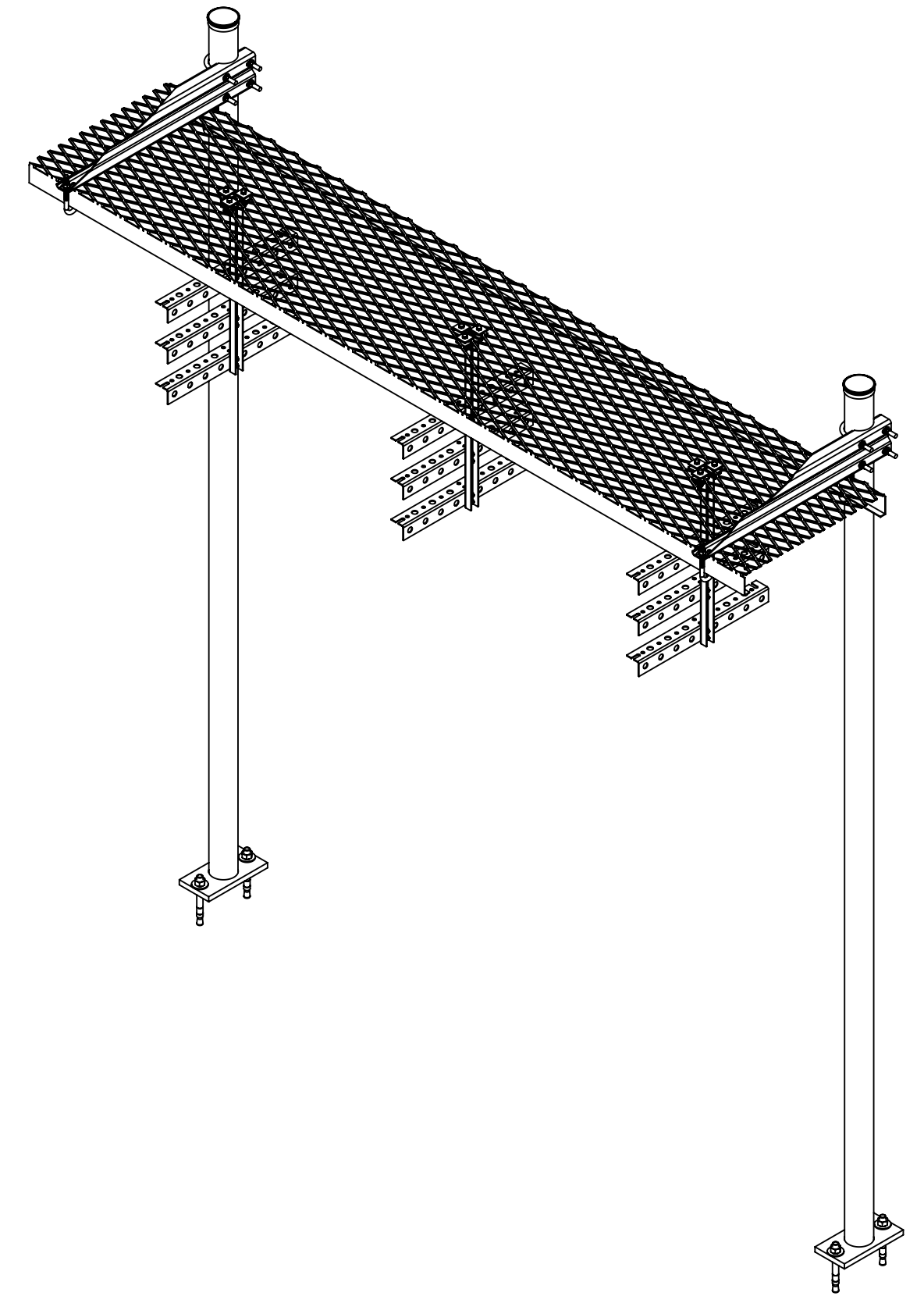
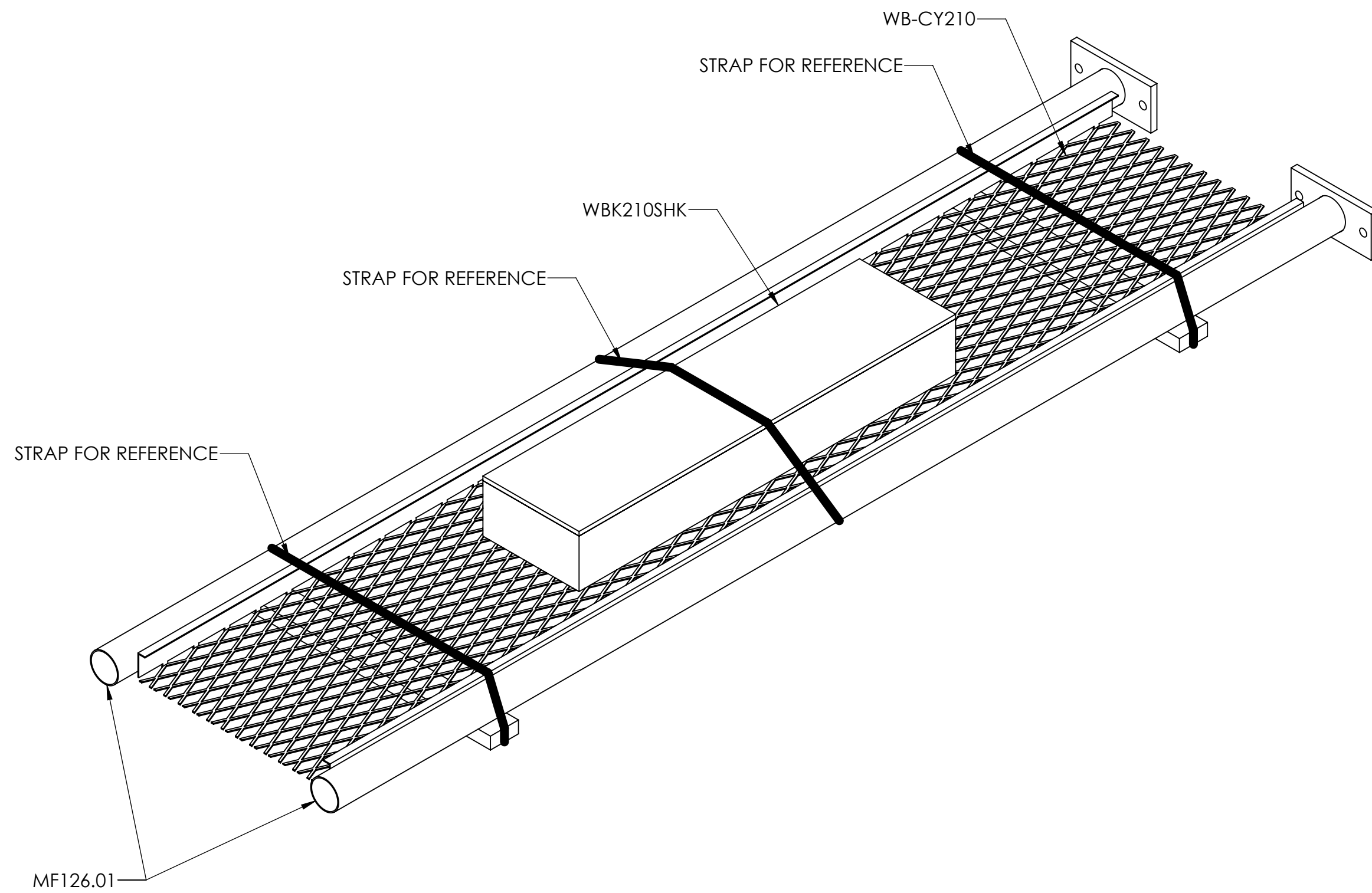
3

2

1

- 1.0 GENERAL NOTES
 - 1.1 ALL METRIC DIMENSIONS ARE IN BRACKETS [X.X]
 - 1.2 FOR PATENT INFO: <https://www.cs-pat.com>
- 2.0 DESIGN NOTES
- 3.0 MANUFACTURING/SPECIAL REQUIREMENTS
 - 3.1 TIGHTEN ALL BOLTS SECURING FLAT PLATES BY THE TURN-OF-NUT METHOD. TIGHTEN ALL U-BOLTS USING TURN-OF-NUT METHOD WITH ATTENTION TO LEAVE EQUAL DISTANCE AND EQUAL FORCE ON EACH LEG OF THE U-BOLT.
- 4.0 TEST
- 5.0 PACKAGING
 - 5.1 PACKAGING SHALL MEET COMMSCOPE REQUIREMENTS PER DOCUMENT IS-PL-3005
 - 5.2 PRINTED DOCUMENT TO BE PLACED INSIDE POLYBAG AND THEN IN SHIPPING CONTAINER
 - 5.3 EXTRA HARDWARE MAYBE SUPPLIED BAGGED AND SHIPPED

REVISIONS			
REV.	DESCRIPTION	DATE	APPROVED
E	UPDATE PARTS LIST FOR TRAPEZE KIT	ACG 07/01/04	
F	REDRAWN IN SOLIDWORKS	AW 05/31/05	
G	UPDATE BOM FOR HARDWARE KITS	ACG 10/21/08	
H	REVISED HARDWARE KIT COMPONENTS	DRR 02/23/12	
J	UPDATED DRAWING TO NEW FORMAT, UPDATED DIM	RY1002 07JUL23	BCROSS 40174944CMO



DENSITY		lbs/in ³
MASS	223.60	lbs
VOLUME	1954.28	in ³
SURFACE AREA	16871.91	in ²
HEIGHT	132.1[3354.3]	
LENGTH	121.5[3086.1]	
WIDTH	33.8[858.0]	

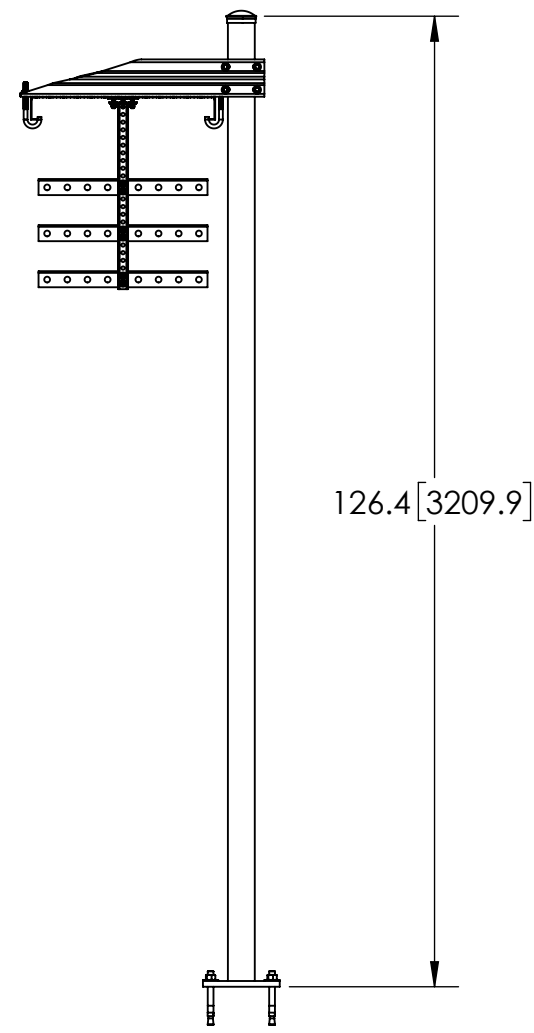
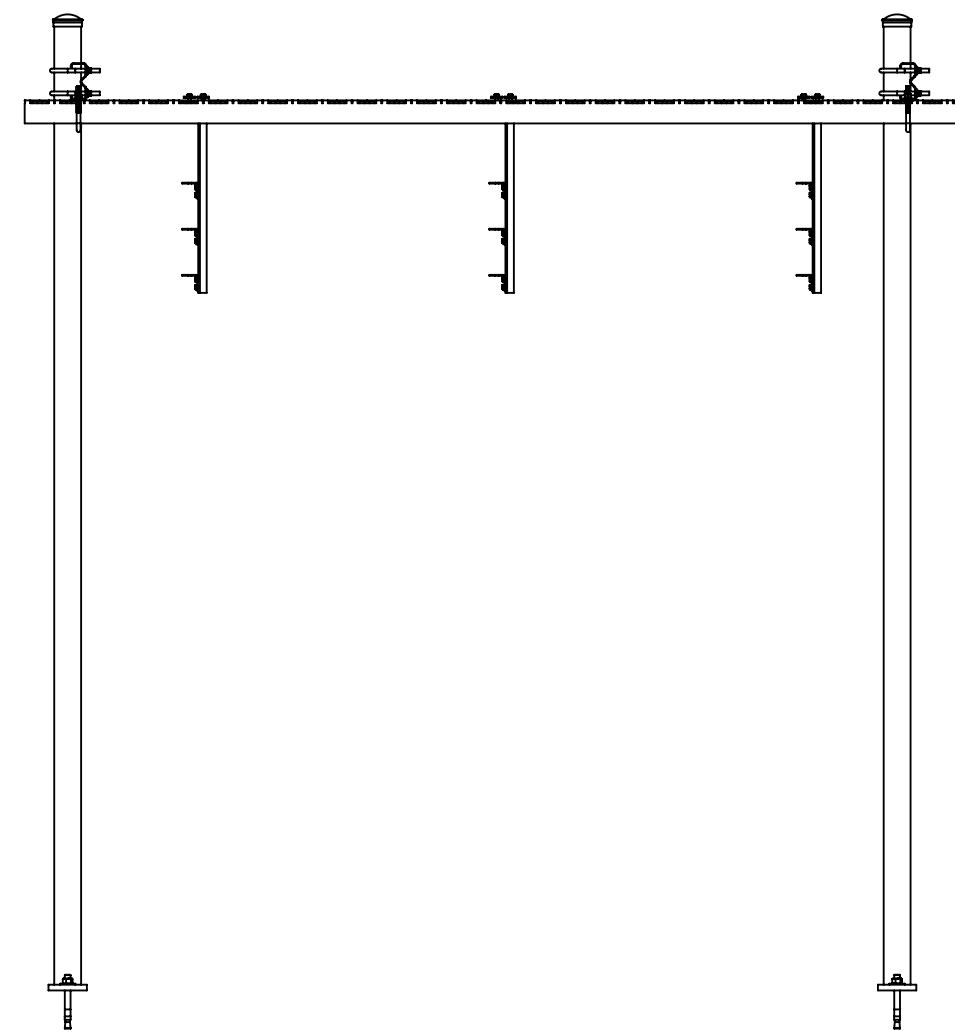
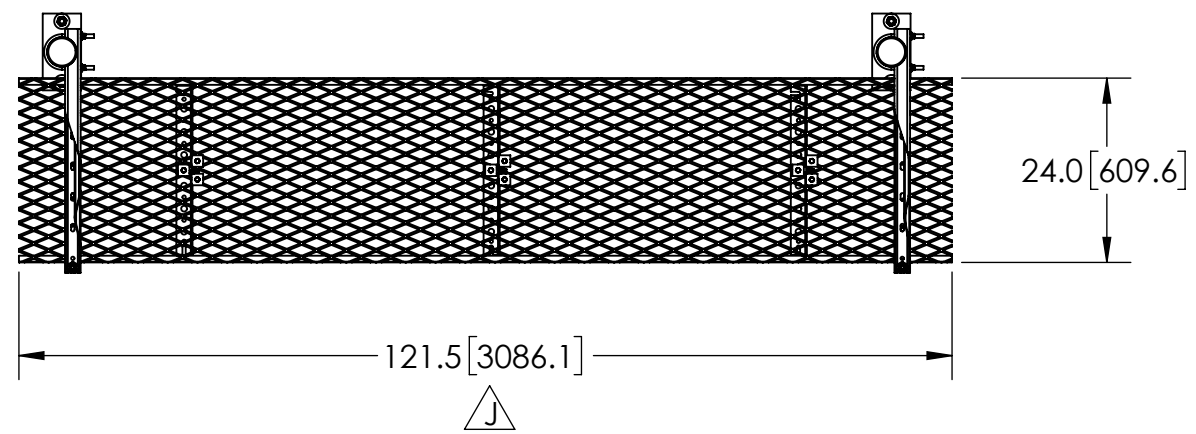
COMMSCOPE, INC. OF NORTH CAROLINA													
TOLERANCES						SAP MATERIAL MASTER							
1 PLACE .X[X] ± 0.12[3.0]			3 PLACE .XXX[X] ± 0.030[0.8]			WB-K210-S							
2 PLACE .XX[X] ± 0.06[1.5]			ANGLES ± 2°										
FINISH						MATERIAL							
<small>UNLESS OTHERWISE SPECIFIED DIMENSIONS ARE IN INCHES INTERPRET PER ANSI Y 14.5M-1994</small>						NAME		DATE		TITLE			
						CE AW		05/20/05		WAVEGUIDE BRIDGE KIT			
						RW RY1002		07/19/2023					
						AD YMENG		07/31/2023		SCALE		DOCUMENT NO.	
						RE RY1002		07/31/2023		1:10		WB-K210-S	
ECN 40174944CMO						SIZE		Auth Group		INSL			
C						MODEL		DRAWING		SHEET			
						VERSION		STATUS		REVISION		VERSION	
						00		RE		A			
						01		RE		J			
										1 OF 2			

4

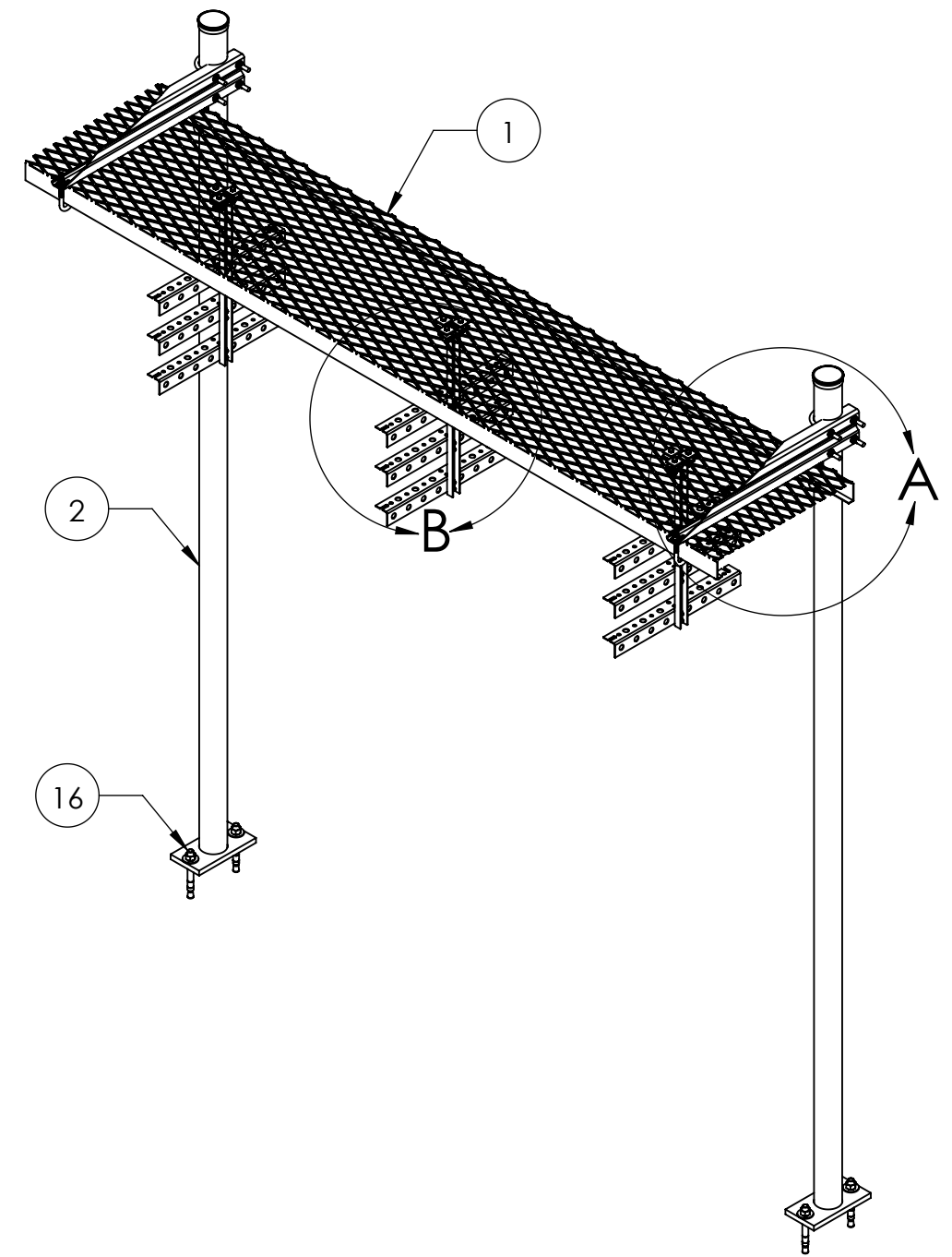
3

2

1

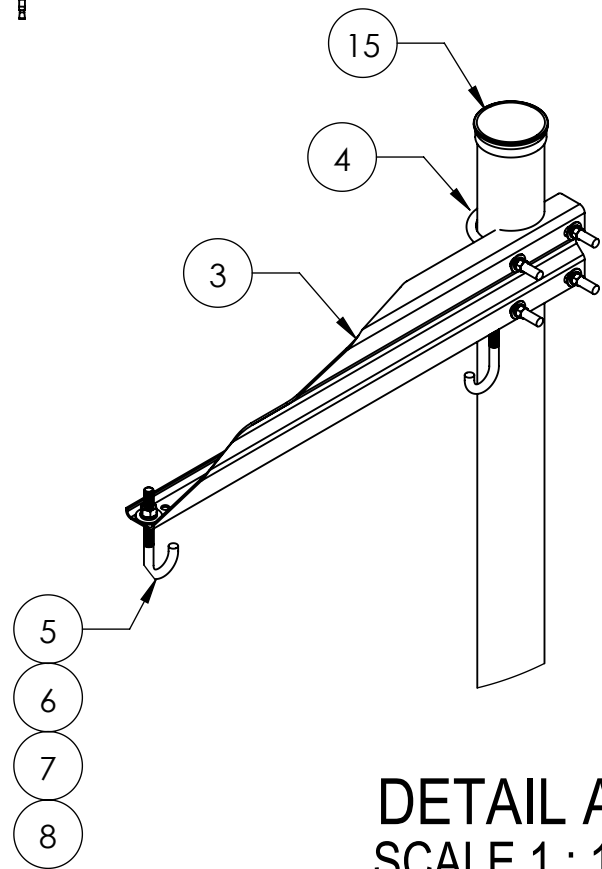


126.4 [3209.9]

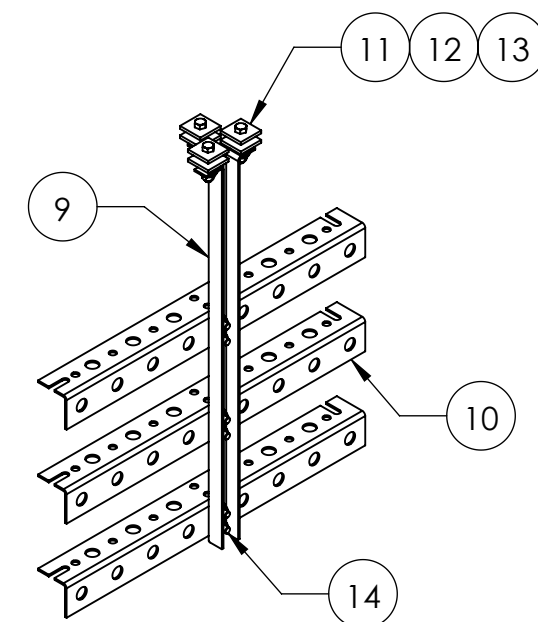


COMPONENT PART NUMBERS PROVIDED FOR ASSEMBLY PURPOSES;
INDIVIDUAL COMPONENTS MAY BE SHIPPED AS PARTS WITHIN AN INCLUDED KIT

ITEM	PART NO.	DESCRIPTION	QTY.	WEIGHT	NOTE NO.
1	WB-CY210	SAFETY GRATED WAVEGUIDE BRIDGE CHANNEL	1	49.84 LBS	
2	MF126.01	BASE SHOE	2	53.86 LBS	
3	WBLB24308	24" WAVEGUIDE BRIDGE SUPPORT BRACKET	2	7.14 LBS	
4	GUB-4356	1/2" X 3-5/8" X 6" GALV U-BOLT	4	0.81 LBS	
5	WBJB6	1/2" J-BOLT	4	0.41 LBS	
6	GWF-04	1/2" GALV FLAT WASHER	4	0.04 LBS	
7	GWL-04	1/2" GALV LOCK WASHER	4	0.01 LBS	
8	GN-04	1/2" GALV HEX NUT	4	0.04 LBS	
9	WBT243.01	VERTICAL TRAPEZE SECTION	3	2.53 LBS	
10	WBT24302	HORIZONTAL TRAPEZE SECTION	9	2.68 LBS	
11	MT-387	SQUARE WASHER 1-1/2"X1-1/2" W/ 7/16 HOLE	18	0.11 LBS	
12	GB-03205	3/8" X 2" GALV BOLT KIT	9	0.08 LBS	
13	GWF-03	3/8" GALV FLAT WASHER	9	0.01 LBS	
14	GB-03105	3/8" X 1" GALV BOLT KIT	18	0.05 LBS	
15	PC-034	PIPE CAP 3-1/2"	2	0.66 LBS	
16	MT-287	3/4" ANCHOR BOLT	4	1.08 LBS	



DETAIL A
SCALE 1 : 10



DETAIL B
SCALE 1 : 10

COMMSCOPE, INC. OF NORTH CAROLINA				
TITLE WAVEGUIDE BRIDGE KIT				
SIZE C	SCALE 1:25	DOCUMENT NO. WB-K210-S		
DRAWING		VERSION	STATUS	REVISION
		01	RE	J
				SHEET 2 OF 2