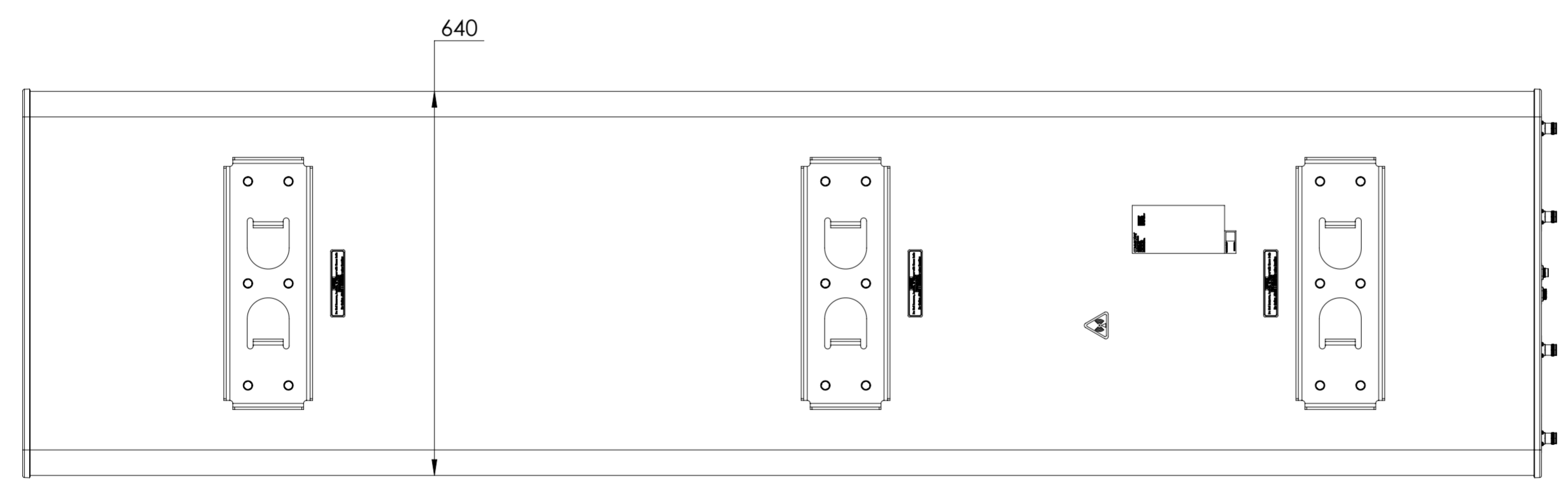
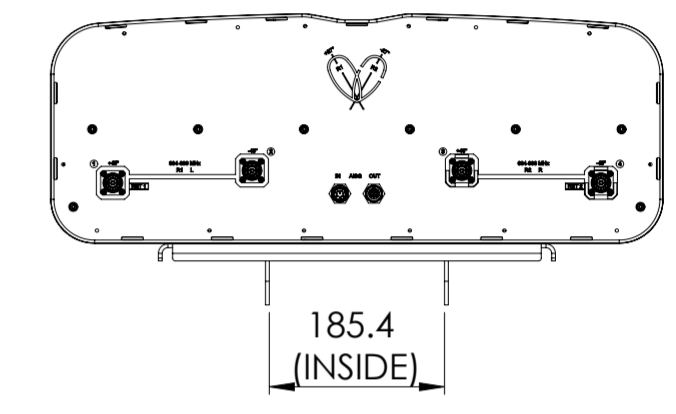
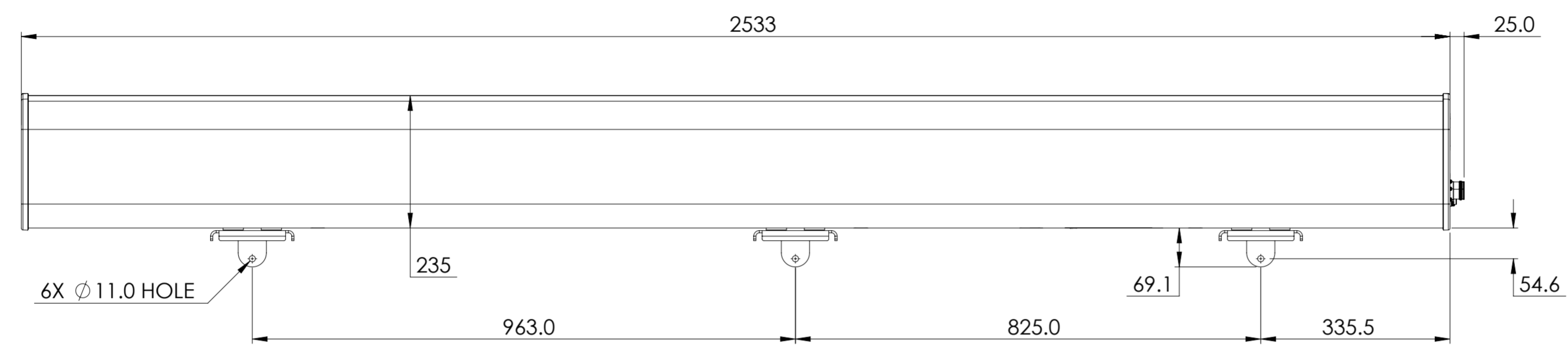


REVISIONS			
REV.	DESCRIPTION	DATE	APPROVED
A	ECR 40184695CMO: REL TO PRODUCTION PER EAO 612778.	19JAN24 RY	LYF/SGY
B	ECR 40190263CMO: UPDATE DRAWING WITH LATEST MODEL.	29FEB24 RY	LYF/SGY



2UPX210B-T2-V2

**COMMScope, INC. OF NORTH CAROLINA**

TOLERANCES		SAP MATERIAL MASTER	
0 PLACE X ±	2 PLACE .XX ±		
1 PLACE .X ±	ANGLES ±		
FINISH		MATERIAL	
UNLESS OTHERWISE SPECIFIED DIMENSIONS ARE IN MILLIMETERS INTERPRET PER ISO STANDARDS HANDBOOK TECHNICAL DRAWINGS VOLUMES 1 & 2, THIRD EDITION (2002)		NAME	DATE
		CE RY1017	01/19/2024
		RW RY1017	03/06/2024
		AD YL1069	03/08/2024
		RE NC1020	03/08/2024
ECN 40190263CMO		TITLE	DOCUMENT NO.
		1:8	2UPX210B-T2-V2-L
SIZE	Auth Group	BSA	MODEL
A2	[Symbol]	[Symbol]	VERSION STATUS REVISION
			DRAWING
			VERSION STATUS REVISION
			01 RE B 01 RE B
			SHEET
			1 OF 1

DENSITY	g/mm <sup>3</sup>
MASS	grams
VOLUME	mm <sup>3</sup>
SURFACE AREA	mm <sup>2</sup>
HEIGHT	
LENGTH	
WIDTH	