

# 240PMU-CR

---

Mini UHF Male for CNT-240 braided cable



## Product Classification

|                     |                         |
|---------------------|-------------------------|
| <b>Brand</b>        | CNT®                    |
| <b>Product Type</b> | Braided cable connector |

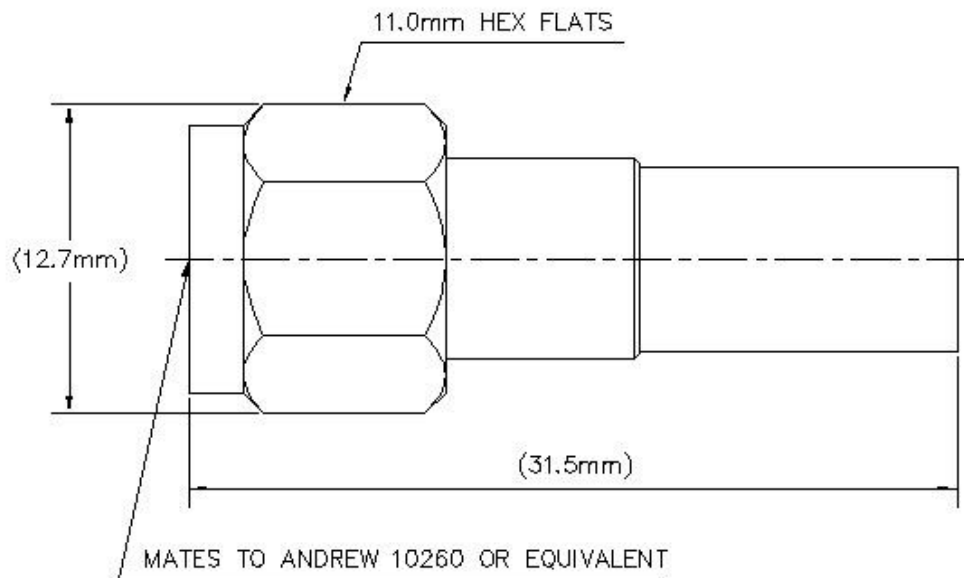
## General Specifications

|                   |               |
|-------------------|---------------|
| <b>Interface</b>  | Mini UHF Male |
| <b>Body Style</b> | Straight      |

## Electrical Specifications

|  |                   |
|--|-------------------|
| <b>Operating Frequency Band</b>          | 0 – 6000 MHz      |
| <b>Average Power at Frequency</b>        | 260.0 W @ 900 MHz |
| <b>Cable Impedance</b>                   | 50 ohm            |
| <b>Connector Impedance</b>               | 50 ohm            |
| <b>dc Test Voltage</b>                   | 1000 V            |
| <b>Outer Contact Resistance, maximum</b> | 5.00 mOhm         |
| <b>Inner Contact Resistance, maximum</b> | 5.00 mOhm         |
| <b>Insulation Resistance, minimum</b>    | 5000 MOhm         |
| <b>Insertion Loss, typical</b>           | 0.05 dB           |

## Outline Drawing



## Mechanical Specifications

|  |                       |
|--|-----------------------|
| <b>Outer Contact Attachment Method</b>   | Crimp                 |
| <b>Outer Contact Plating</b>             | Trimetal              |
| <b>Inner Contact Plating</b>             | Gold                  |
| <b>Inner Contact Attachment Method</b>   | Solder                |
| <b>Interface Durability</b>              | 500 cycles            |
| <b>Connector Retention Tensile Force</b> | 134 N   30 lbf        |
| <b>Connector Retention Torque</b>        | 0.23 N-m   0.17 ft lb |
| <b>Pressurizable</b>                     | No                    |

## Dimensions

|                     |                    |
|---------------------|--------------------|
| <b>Nominal Size</b> | 0.240 in           |
| <b>Diameter</b>     | 12.70 mm   0.50 in |
| <b>Length</b>       | 31.47 mm   1.24 in |
| <b>Weight</b>       | 11.17 g   0.02 lb  |
| <b>Width</b>        | 12.70 mm   0.50 in |

## Environmental Specifications

# 240PMU-CR

---

|   |                                       |
|---|---------------------------------------|
| <b>Operating Temperature</b>              | -40 °C to +85 °C (-40 °F to +185 °F)  |
| <b>Storage Temperature</b>                | -65 °C to +125 °C (-85 °F to +257 °F) |
| <b>Water Jetting Test Mating</b>          | Mated                                 |
| <b>Water Jetting Test Method</b>          | IEC 60529:2001, IP65                  |
| <b>Mechanical Shock Test Method</b>       | IEC 60068-2-27                        |
| <b>Climatic Sequence Test Method</b>      | IEC 60068-1                           |
| <b>Damp Heat Steady State Test Method</b> | IEC 60068-2-3                         |
| <b>Thermal Shock Test Method</b>          | IEC 60068-2-14                        |
| <b>Vibration Test Method</b>              | IEC 60068-2-6                         |
| <b>Corrosion Test Method</b>              | IEC 60068-2-11                        |

## Standard Conditions

|   |                 |
|---|-----------------|
| <b>Attenuation, Ambient Temperature</b>           | 20 °C   68 °F   |
| <b>Average Power, Ambient Temperature</b>         | 40 °C   104 °F  |
| <b>Average Power, Inner Conductor Temperature</b> | 100 °C   212 °F |

## Return Loss/VSWR

| <b>Frequency Band</b> | <b>VSWR</b> | <b>Return Loss (dB)</b> |
|-----------------------|-------------|-------------------------|
| 0–3000 MHz            | 1.17        | 22.00                   |

## Regulatory Compliance/Certifications

### Agency

RoHS 2011/65/EU  
ISO 9001:2015  
China RoHS SJ/T 11364-2014

### Classification

Compliant by Exemption  
Designed, manufactured and/or distributed under this quality management system  
Above Maximum Concentration Value (MCV)



## \* Footnotes

**Insertion Loss, typical**  $0.05\sqrt{\text{freq (GHz)}}$  (not applicable for elliptical waveguide)