



Type N Female to 7-16 DIN Female Low-PIM Adapter

Product Classification

Product Type Adapter

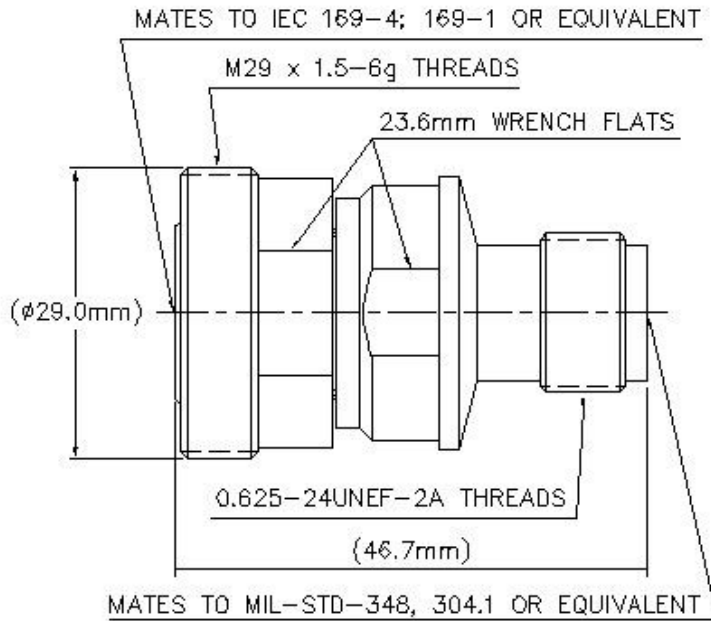
General Specifications

Interface N Female
Interface 2 7-16 DIN Female
Body Style Straight
Mounting Angle Straight

Electrical Specifications

Connector Impedance 50 ohm
Operating Frequency Band 0 – 6000 MHz
Average Power at Frequency 600.0 W @ 900 MHz
3rd Order IMD, typical -163 -dBc @ 1800 MHz
3rd Order IMD Test Method Two +43 dBm carriers
RF Operating Voltage, maximum (vrms) 707.00 V
dc Test Voltage 2500 V
Outer Contact Resistance, maximum 0.40 mOhm
Inner Contact Resistance, maximum 1.50 mOhm
Insulation Resistance, minimum 5000 MOhm
Peak Power, maximum 10.00 kW

Outline Drawing



Mechanical Specifications

Inner Contact Plating	Silver
Insertion Force	200.00 N 44.96 lbf
Insertion Force Method	IEC 61169-16:9.3.5
Interface Durability	500 cycles
Interface Durability Method	IEC 61169-16:9.5 IEC 61169-4:17
Outer Contact Plating	Trimetal
Pressurizable	No

Dimensions

Diameter	23.62 mm 0.93 in
Length	46.74 mm 1.84 in
Weight	113.00 g 0.25 lb
Width	23.62 mm 0.93 in

Environmental Specifications

Operating Temperature	-55 °C to +85 °C (-67 °F to +185 °F)
Storage Temperature	-65 °C to +125 °C (-85 °F to +257 °F)

TA-NFDF

Mechanical Shock Test Method	IEC 60068-2-27
Climatic Sequence Test Method	IEC 60068-1
Damp Heat Steady State Test Method	IEC 60068-2-3
Thermal Shock Test Method	IEC 60068-2-14
Vibration Test Method	IEC 60068-2-6
Corrosion Test Method	IEC 60068-2-11

Standard Conditions

Attenuation, Ambient Temperature	20 °C 68 °F
Average Power, Ambient Temperature	40 °C 104 °F
Average Power, Inner Conductor Temperature	100 °C 212 °F

Return Loss/VSWR

Frequency Band	VSWR	Return Loss (dB)
0–3000 MHz	1.03	36.00
3000–6000 MHz	1.13	24.00

Regulatory Compliance/Certifications

Agency

RoHS 2011/65/EU

ISO 9001:2015

China RoHS SJ/T 11364-2014

Classification

Compliant by Exemption

Designed, manufactured and/or distributed under this quality management system

Above Maximum Concentration Value (MCV)

