

A6FHM-S



4.3-10 Male for 1-1/4 in AVA6-50 cable

Product Classification

Brand	HELIAX®
Product Type	Wireless and radiating connector

General Specifications

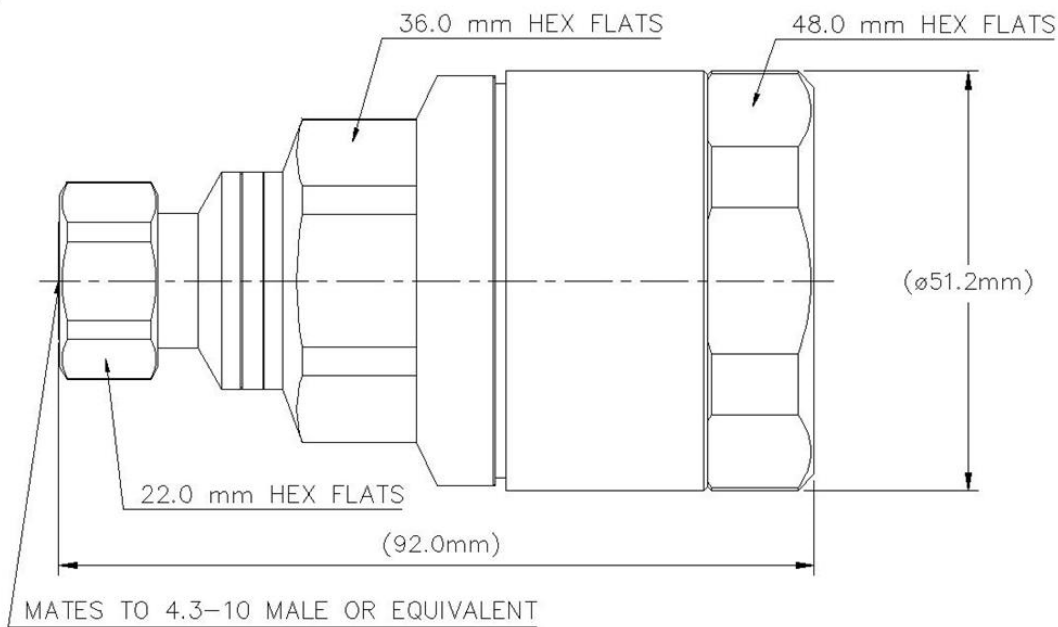
Interface	4.3-10 Male
Body Style	Straight
Harmonized System (HS) Code	854420 (Coaxial cable and other coaxial electric conductors)
Interface 2	4.3-10 Male
Mounting Angle	Straight

Electrical Specifications

Connector Impedance	50 ohm
Operating Frequency Band	0 – 3300 MHz
Cable Impedance	50 ohm
3rd Order IMD, typical	-117 dBm @ 1800 MHz
3rd Order IMD Test Method	Two +43 dBm carriers
Insertion Loss, typical	0.05 dB

A6FHM-S

Outline Drawing



Mechanical Specifications

Outer Contact Attachment Method	Clamp
Inner Contact Attachment Method	Captivated
Outer Contact Plating	Trimetal
Inner Contact Plating	Silver
Interface Durability Method	IEC 61169-4:9.5
Coupling Nut Proof Torque	10.00 N-m 7.38 ft lb

Dimensions

Nominal Size	1-1/4 in
Diameter	48.00 mm 1.89 in
Length	60.30 mm 2.37 in
Weight	295.00 g 0.65 lb

Environmental Specifications

Operating Temperature	-55 °C to +85 °C (-67 °F to +185 °F)
Storage Temperature	-55 °C to +85 °C (-67 °F to +185 °F)
Immersion Depth	1 m

A6FHM-S

Immersion Test Mating	Mated
Immersion Test Method	IEC 60529:2001, IP68
Water Jetting Test Mating	Mated
Water Jetting Test Method	IEC 60529:2001, IP66
Moisture Resistance Test Method	IEC 60068-2-3
Mechanical Shock Test Method	IEC 60068-2-27
Thermal Shock Test Method	IEC 60068-2-14
Vibration Test Method	IEC 60068-2-6
Corrosion Test Method	IEC 60068-2-11

Standard Conditions

Attenuation, Ambient Temperature	20 °C 68 °F
Average Power, Ambient Temperature	40 °C 104 °F
Return Loss Note	Measurements taken using a .9 m (3 ft) jumper assembly

Regulatory Compliance/Certifications

Agency	Classification
RoHS 2011/65/EU	Compliant by Exemption
China RoHS SJ/T 11364-2006	Above Maximum Concentration Value (MCV)
ISO 9001:2015	Designed, manufactured and/or distributed under this quality management system



* Footnotes

Immersion Depth	Immersion at specified depth for 24 hours
Insertion Loss, typical	0.05v*freq (GHz) (not applicable for elliptical waveguide)